

[54] PIPE SCULPTURE

[76] Inventors: Mervin A. Brubaker; Myrtle E. Brubaker, both of 1024 Gettysburg Pike, Mechanicsburg, Pa. 17055

[**] Term: 14 Years

[21] Appl. No.: 548,952

[22] Filed: Feb. 11, 1975

[51] Int. Cl. D11-02

[52] U.S. Cl. D11/131

[58] Field of Search D29/23 R, 23 A, 28 R; D54/2 B; D13/15; 35/26, 27; 47/41, 41.13

[56] References Cited

U.S. PATENT DOCUMENTS

2,035,001	3/1936	Taber	47/41.13
3,131,511	5/1964	Deaner	47/41
3,214,874	11/1965	Roberts	D54/2 B
D146,400	2/1947	Blickle	D29/1 B
D237,001	9/1975	Von Serda	D48/16 D

FOREIGN PATENT DOCUMENTS

324,205	2/1930	United Kingdom	47/41.13
---------	--------	----------------------	----------

OTHER PUBLICATIONS

Better Homes & Gardens, Mar. 1973, p. 187, top right, Wallace Brown Organizer.2938

Marc Creates 1/1/1973 Price List, p. 4, "Radiance" at top.

Primary Examiner—Melvin B. Feifer

Assistant Examiner—Louis S. Zarfes

Attorney, Agent, or Firm—Michael F. Petock

[57] CLAIM

The ornamental design for a pipe sculpture, substantially as shown and described.

DESCRIPTION

FIG. 1 is a front elevational view of a pipe sculpture showing our new design;

FIG. 2 is a rear elevational view thereof;

FIG. 3 is a side elevational view thereof taken in the direction of arrow 3 in FIG. 1;

FIG. 4 is a side elevational view taken thereof in the direction of arrow 4 of FIG. 1;

FIG. 5 is a top plan view thereof taken in the direction of arrow 5 of FIG. 1; and

FIG. 6 is a bottom plan view thereof taken along arrow 6 of FIG. 1.

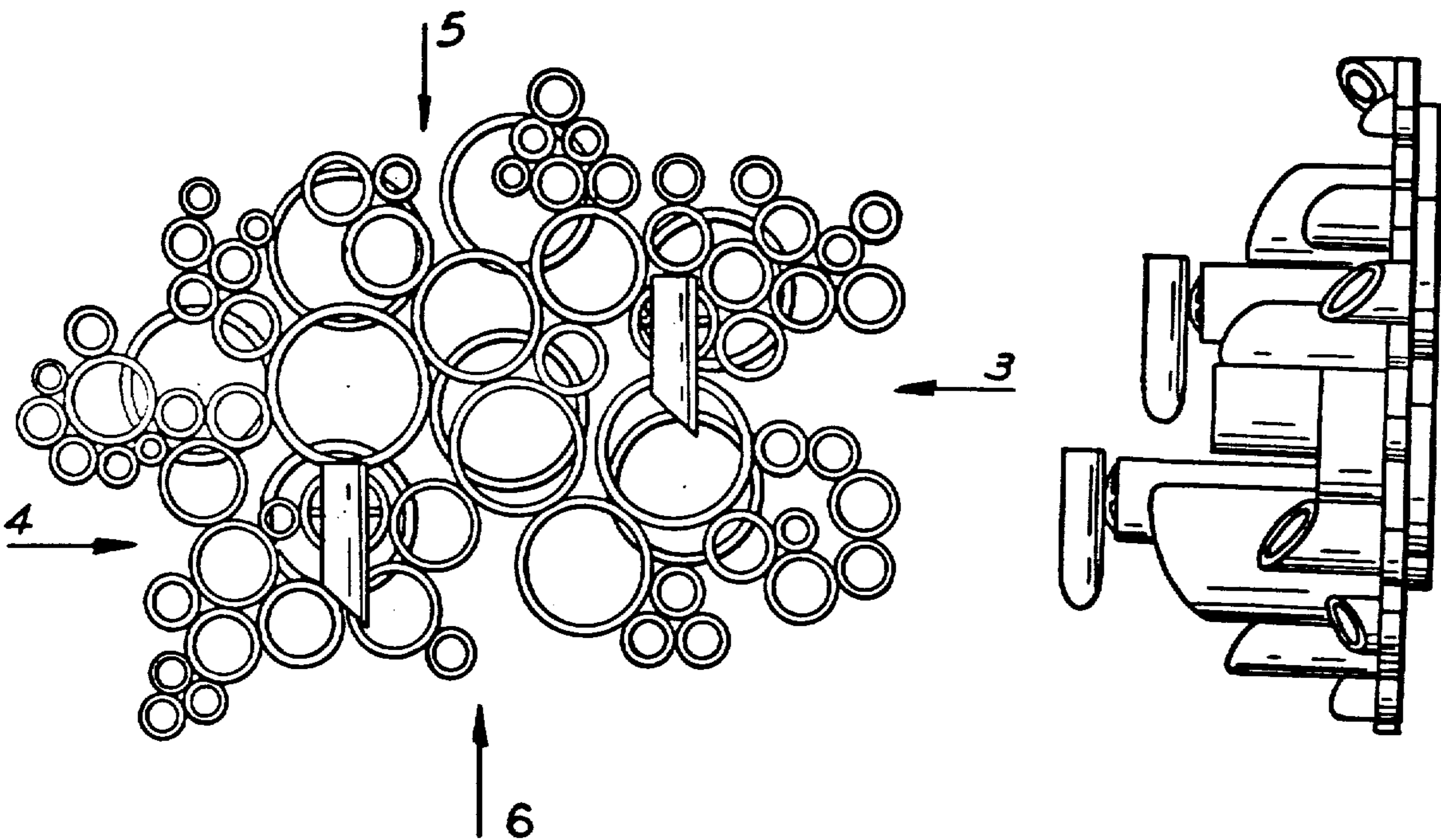


FIG. 1

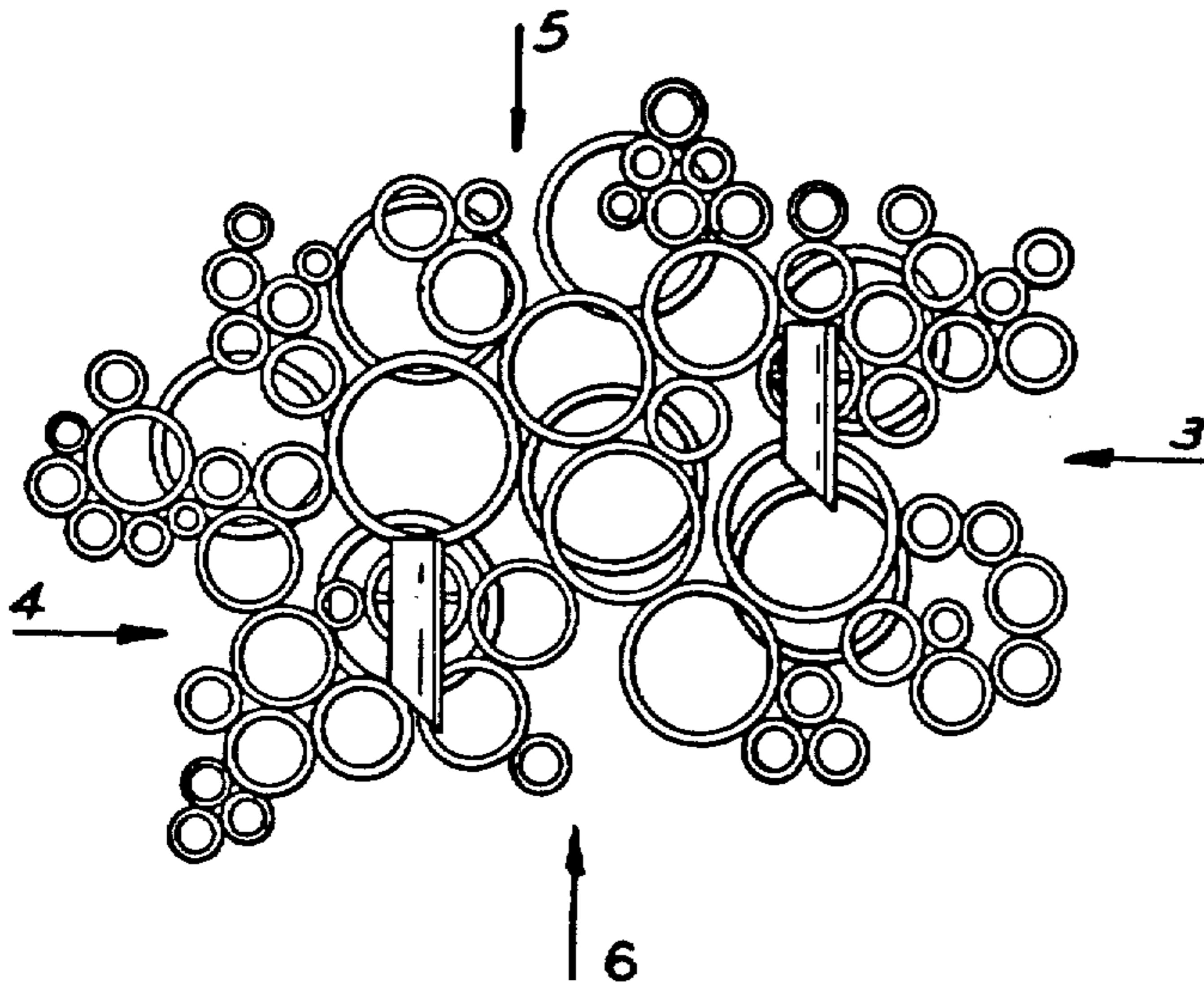


FIG. 3

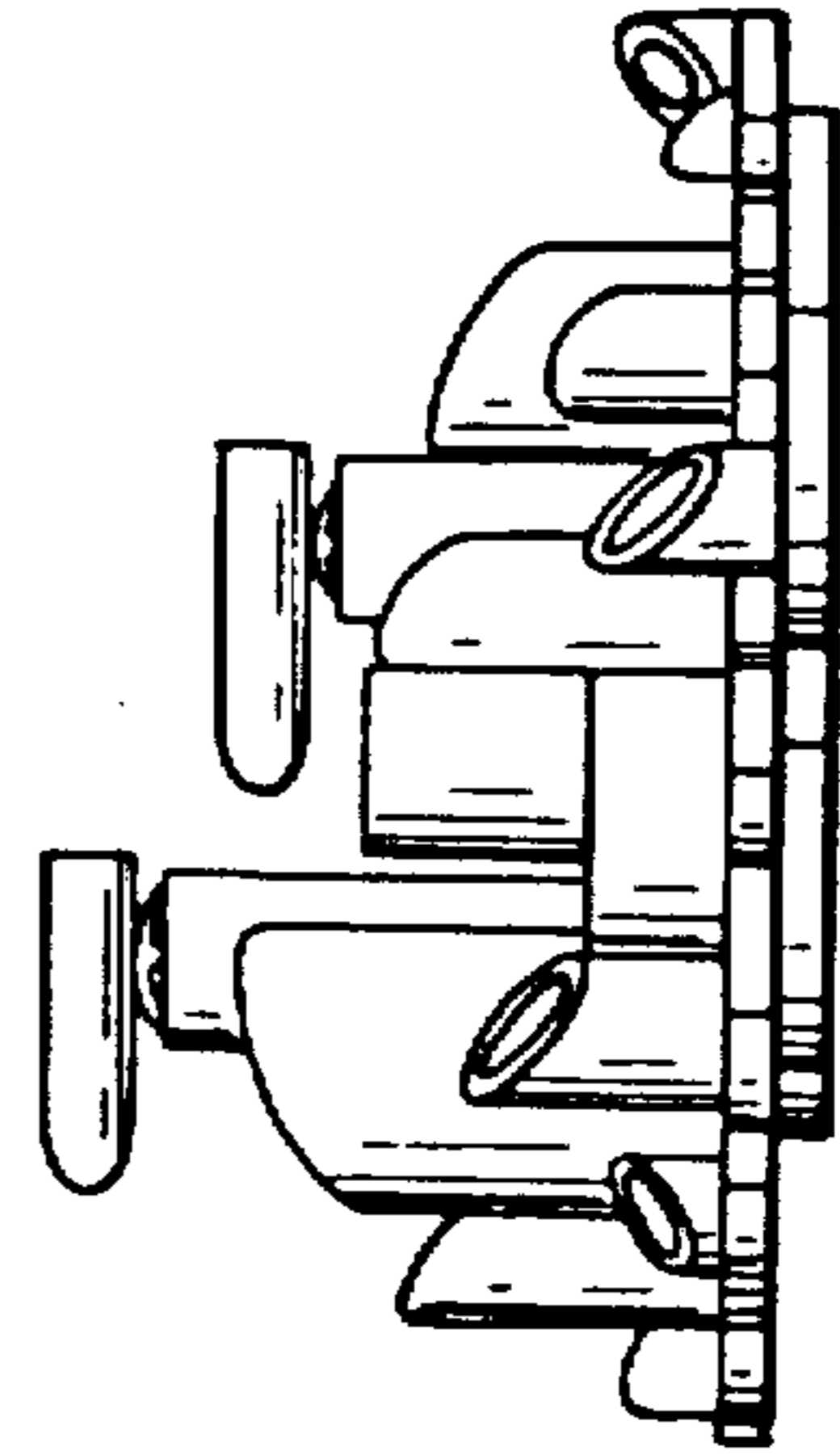


FIG. 2

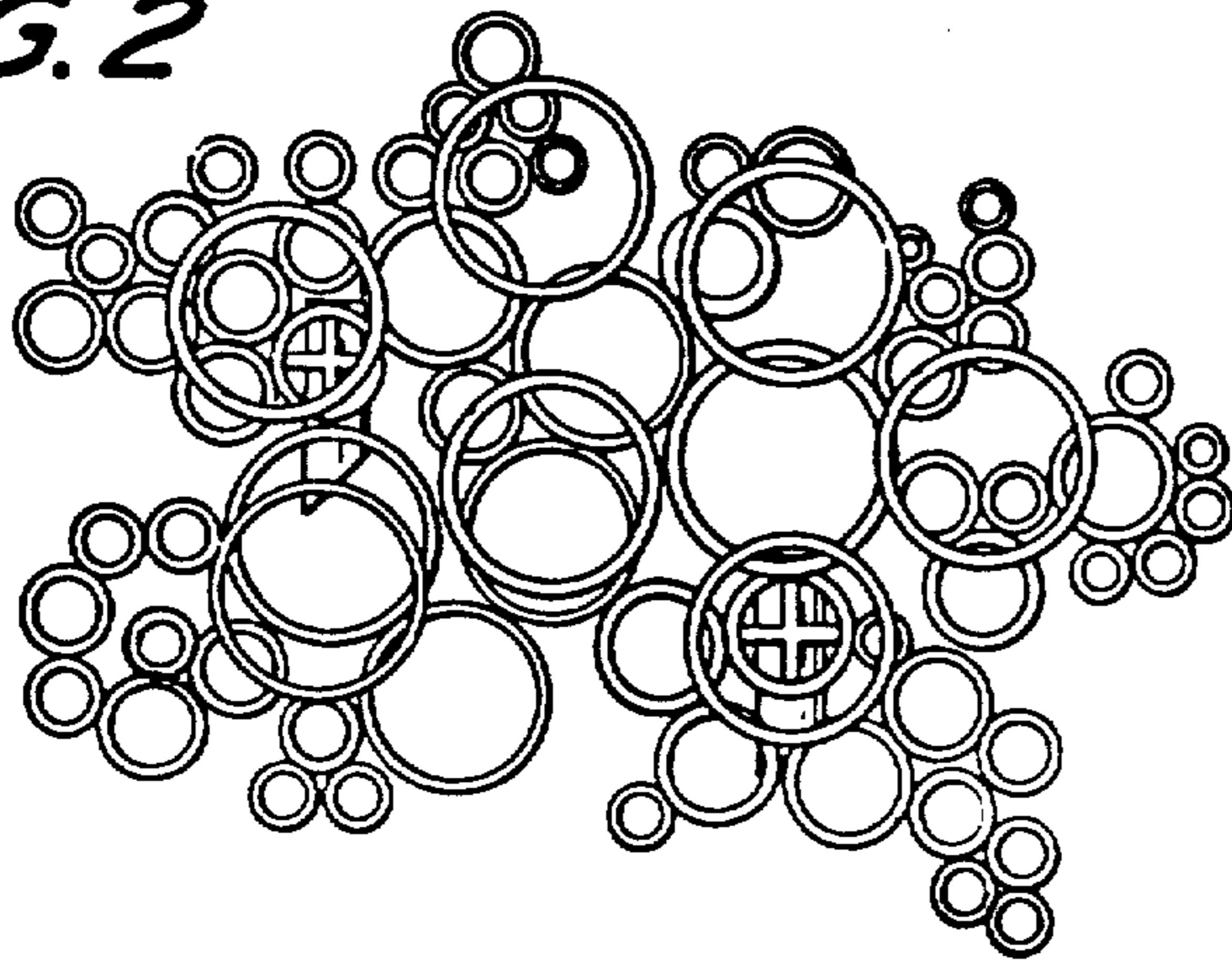


FIG. 4

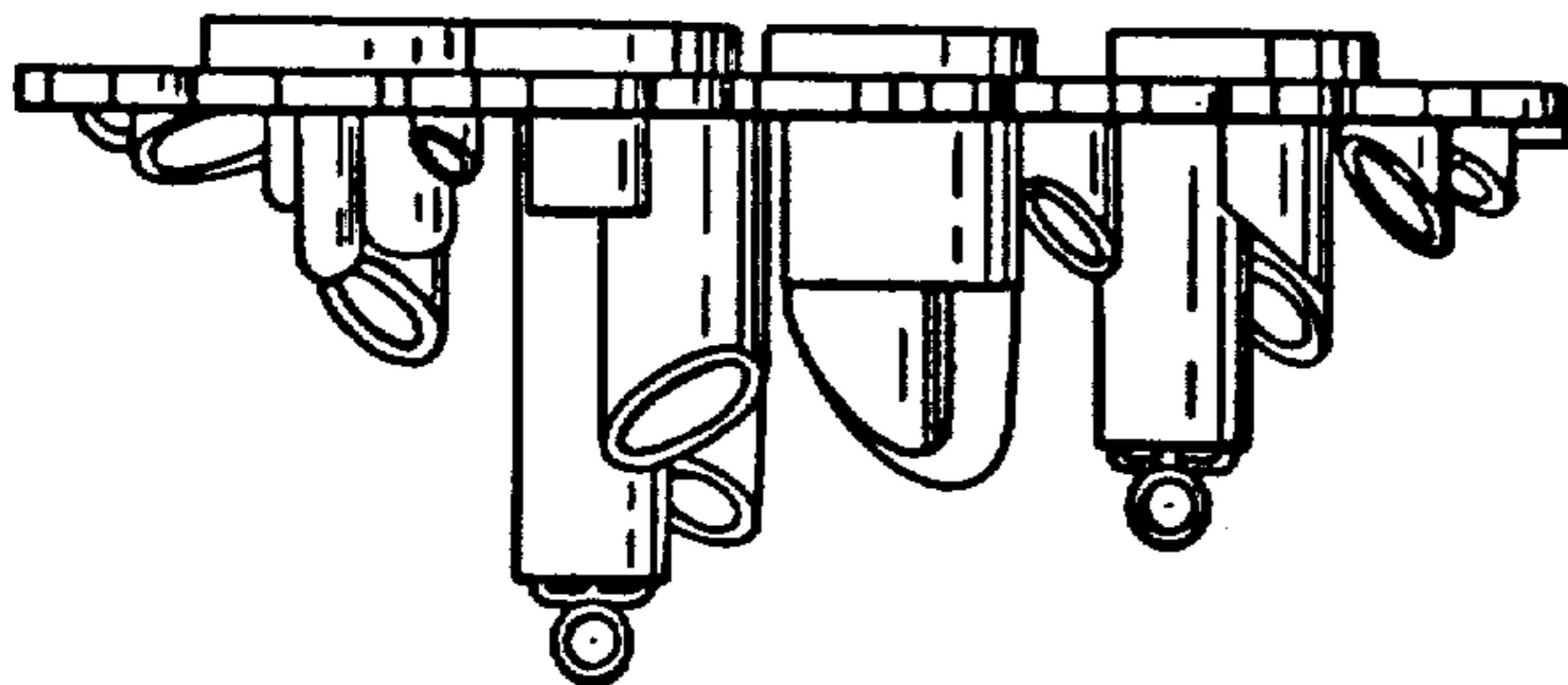
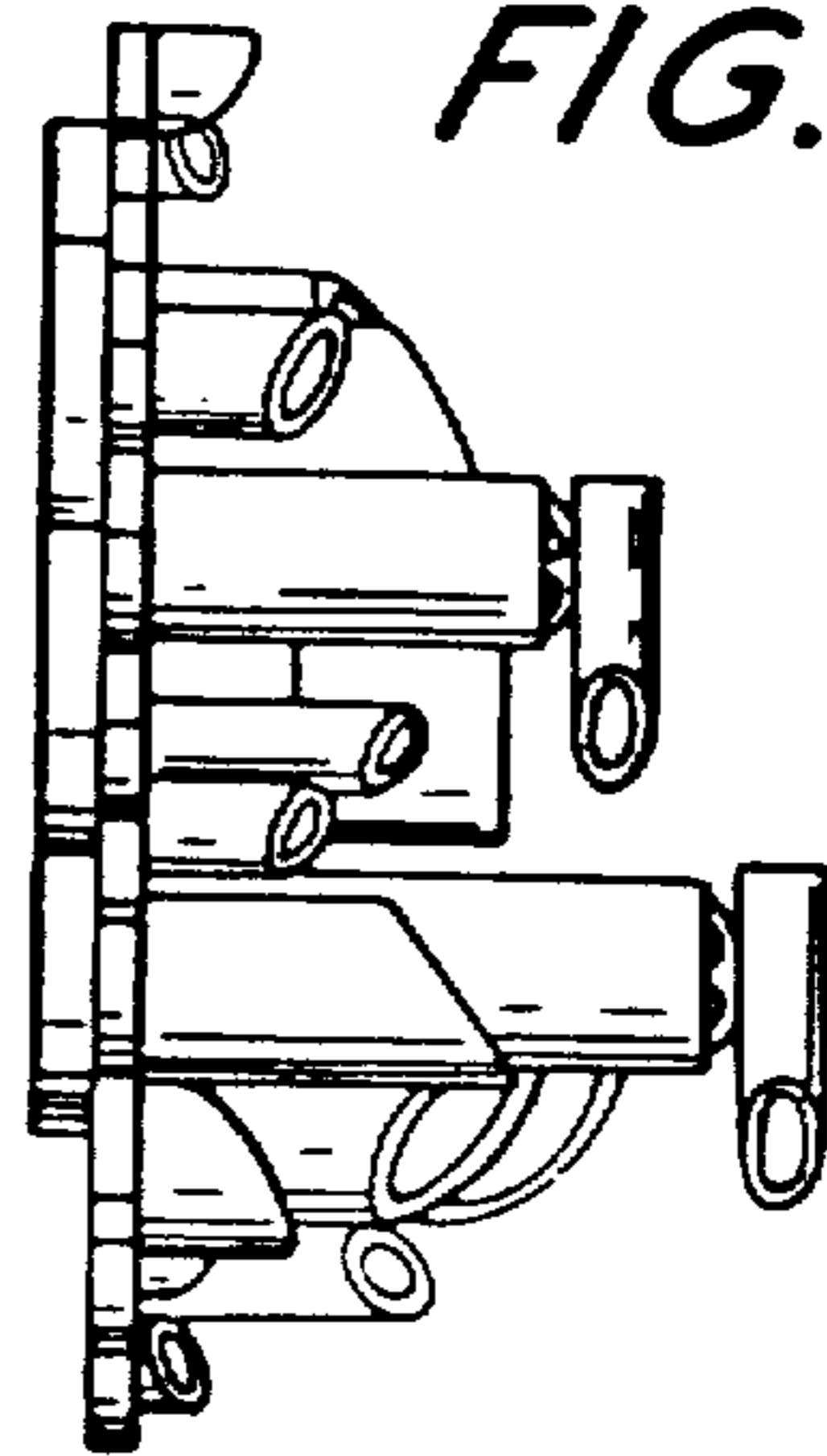


FIG. 5

FIG. 6

