

[54] **CIGARETTE HOLDER**

[76] Inventors: **Richard B. Kaiser**, 4717 Morella Ave., North Hollywood, Calif. 91607; **Denis C. Higgins**, 2390 Lorain Road, San Marino, Calif. 91108

[\*\*] Term: **14 Years**

[21] Appl. No.: **537,269**

[22] Filed: **Dec. 30, 1974**

[51] Int. Cl. .... **D27-02**

[52] U.S. Cl. .... **D27/2**

[58] Field of Search ..... **D8/136-137, D8/229, 233, 246, 250, 259; D87/8; 70/408; D27/2; D2/407, 420, 428, 430, 431, 432; 24/255 R, 259; 131/257, 258, 259**

[56] **References Cited**

**U.S. PATENT DOCUMENTS**

1,936,431	11/1933	Halapleus .....	131/258
2,583,020	1/1952	Smith .....	24/255 GP X
2,736,322	2/1956	Ford .....	131/259 X
3,267,534	8/1966	Dansereau .....	D2/407
3,315,504	4/1967	Billings, Jr. ....	70/408
3,756,252	9/1973	Vigorito .....	131/257

D123,841	12/1940	Owens .....	D87/8
D133,226	7/1942	Wilson .....	D27/2
D170,845	11/1953	Wolf .....	D27/2
D189,133	11/1960	Anderson .....	D87/8
D203,792	2/1966	Mills .....	D27/2
D232,806	9/1974	Sehlage .....	D8/136
D233,312	10/1974	Lock .....	D8/259

**OTHER PUBLICATIONS**

Hardware Age, May 1, 1968, p. 72(A).

Primary Examiner—James R. Largen

Attorney, Agent, or Firm—Marvin E. Jacobs

[57] **CLAIM**

The ornamental design for a cigarette holder, substantially as shown.

**DESCRIPTION**

FIG. 1 is a perspective view of the cigarette holder of this invention;

FIG. 2 is a top plan view;

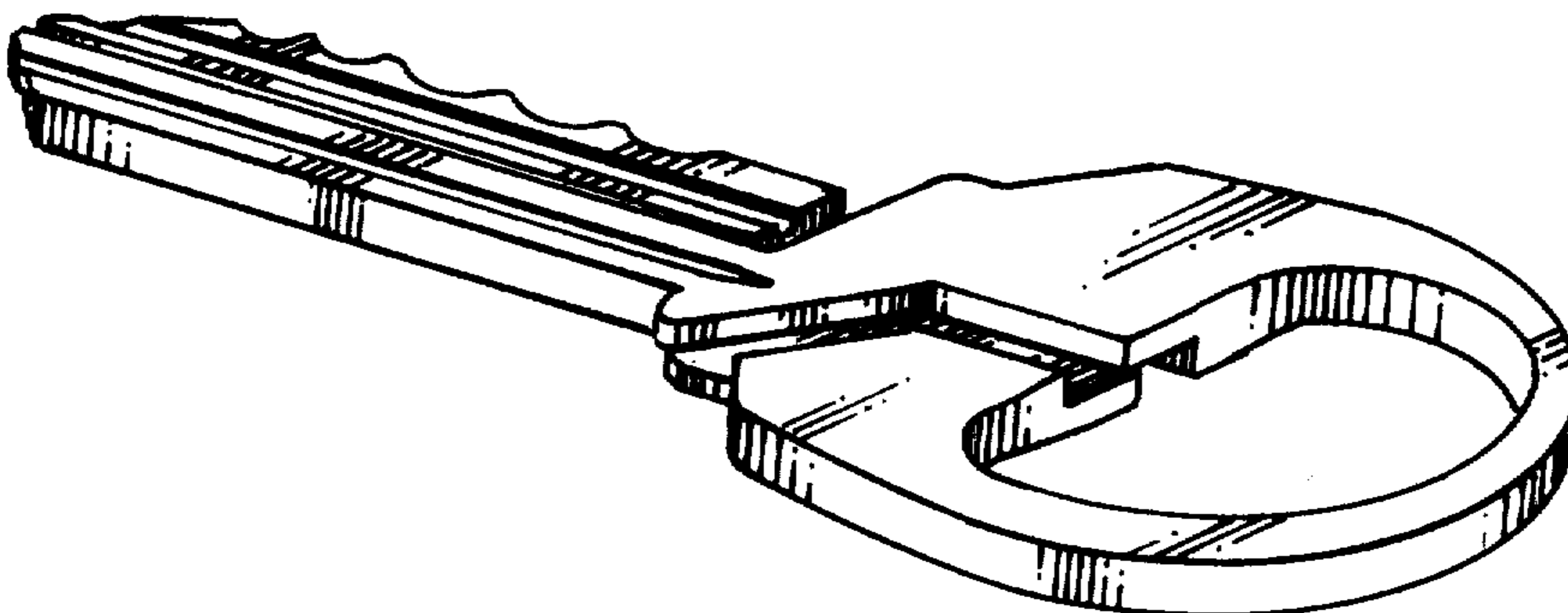
FIG. 3 is a right-side elevational view;

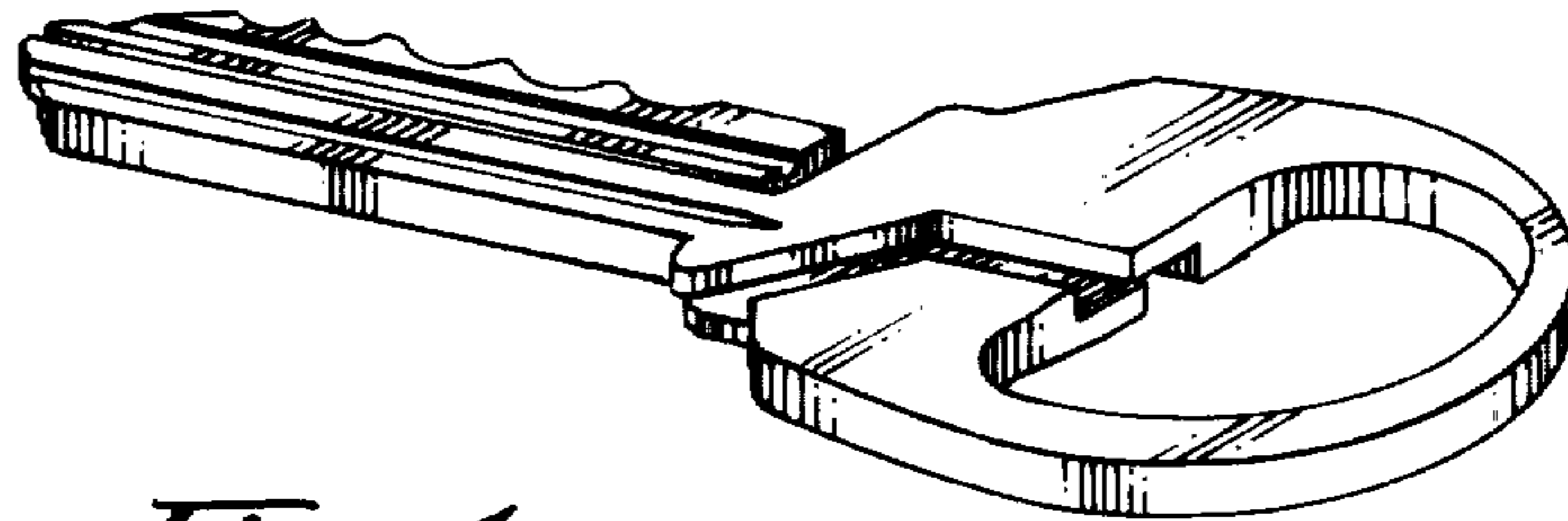
FIG. 4 is a bottom plan view;

FIG. 5 is a left-side elevational view;

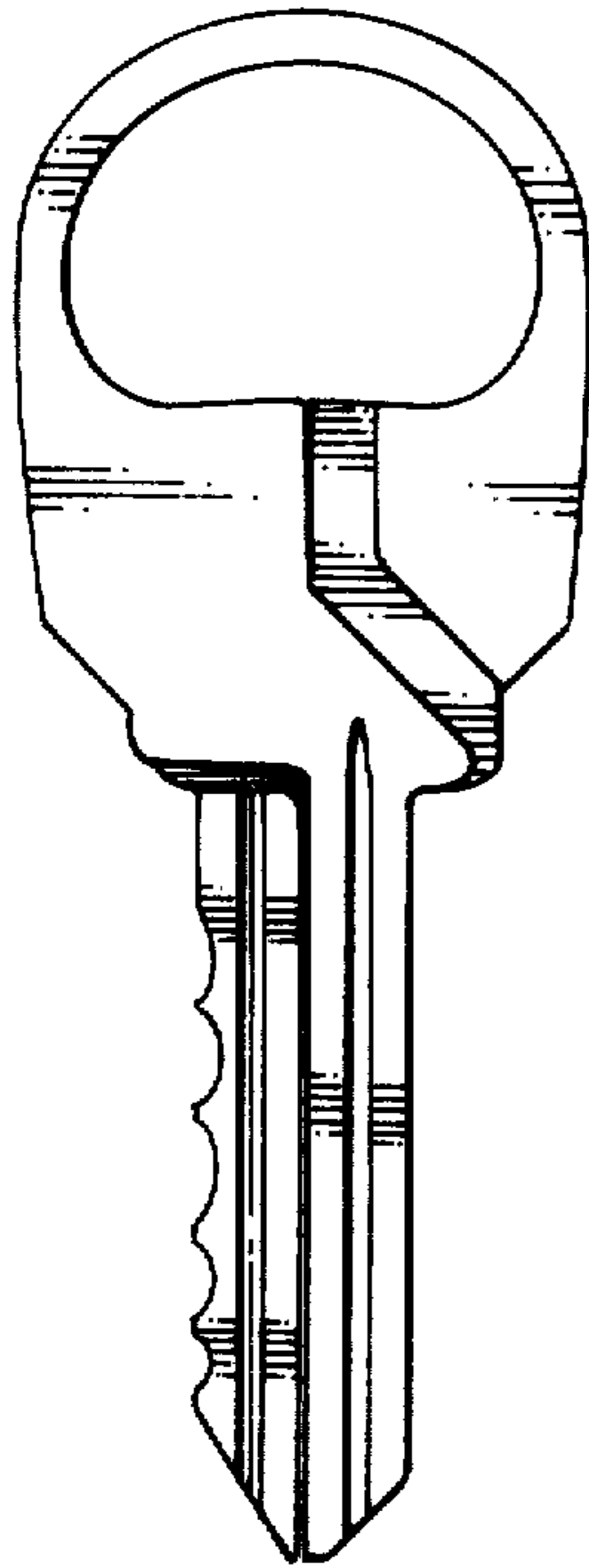
FIG. 6 is a front elevational view; and

FIG. 7 is a rear elevational view.





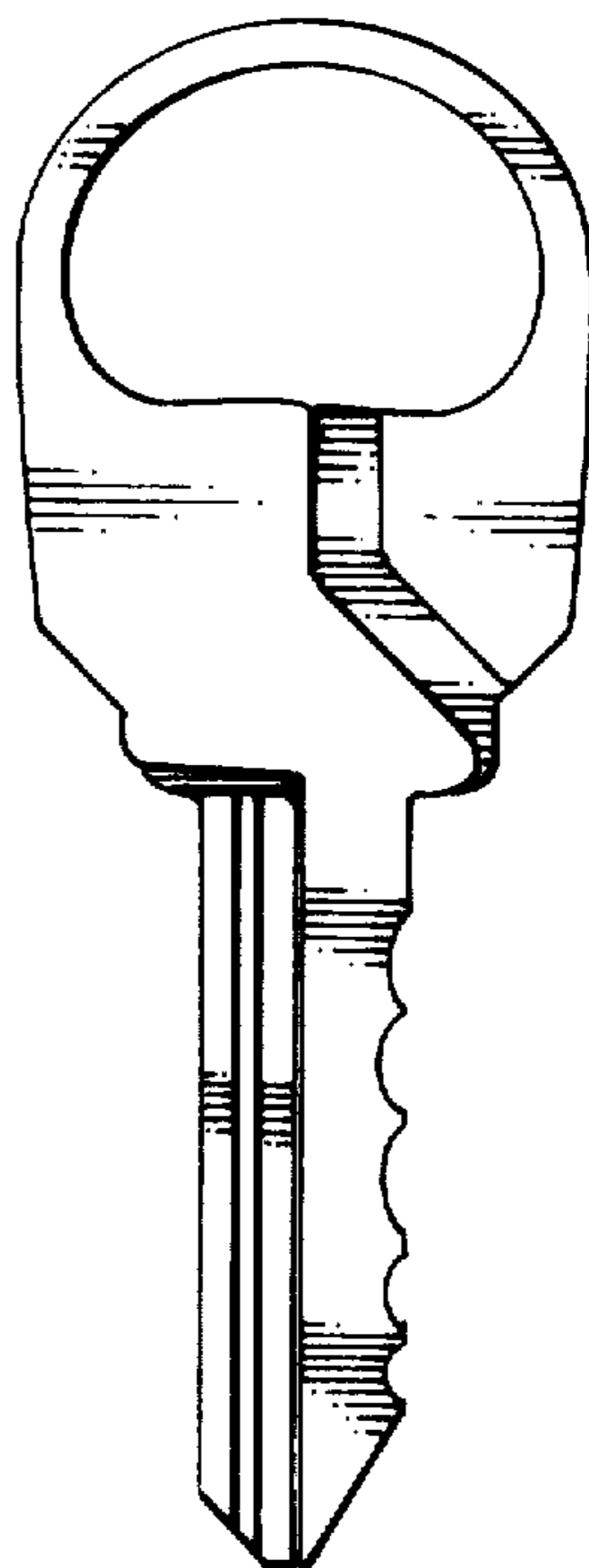
*Fig. 1*



*Fig. 2*



*Fig. 3*



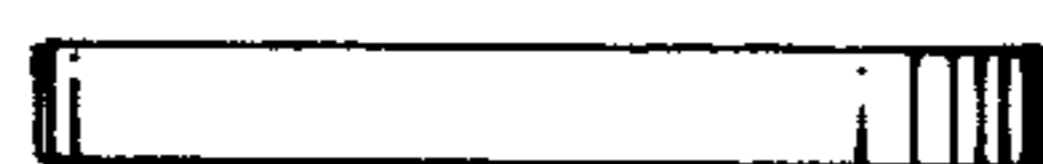
*Fig. 4*



*Fig. 5*



*Fig. 6*



*Fig. 7*