

[54] UNDERGROUND TORNADO SHELTER

[76] Inventor: Charles E. McKnight, 103 Lockwood Ave., Salem, Ind. 47167

[**] Term: 14 Years

[21] Appl. No.: 561,557

[22] Filed: Mar. 24, 1975

[51] Int. Cl. D25-03

[52] U.S. Cl. D25/36

[58] Field of Search D13/1 R, 1 A, 1 B, 1 L, D13/1 D, 1 E; 98/33; 52/80, 81, 169, 170; D25/16, 33, 35, 36

[56] References Cited

U.S. PATENT DOCUMENTS

3,145,640	8/1964	Jaha	D13/1 R
3,212,220	10/1965	Boniecki et al.	D13/1 R
3,230,911	1/1966	Garlock, Jr.	D13/1 R

Primary Examiner—A. Hugo Word
Attorney, Agent, or Firm—Marmaduke A. Hobbs

[57] CLAIM

The ornamental design for an underground tornado shelter, substantially as shown.

DESCRIPTION

FIG. 1 is a perspective view of an underground tornado shelter embodying the present design;
 FIG. 2 is an elevational view of an underground tornado shelter illustrated in FIG. 1, showing the side opposite that shown in FIG. 1;
 FIG. 3 is a vertical cross sectional view of the underground tornado shelter, the section being taken on line 3—3 of FIG. 1;
 FIG. 4 is a vertical cross sectional view of the underground tornado shelter, the section being taken on line 4—4 of FIG. 3;
 FIG. 5 is an elevational view of the present underground tornado shelter showing the end seen in FIG. 1; and
 FIG. 6 is an elevational view of the end of the underground tornado shelter shown in the preceding figures, showing the end opposite that seen in FIGS. 1 and 5.

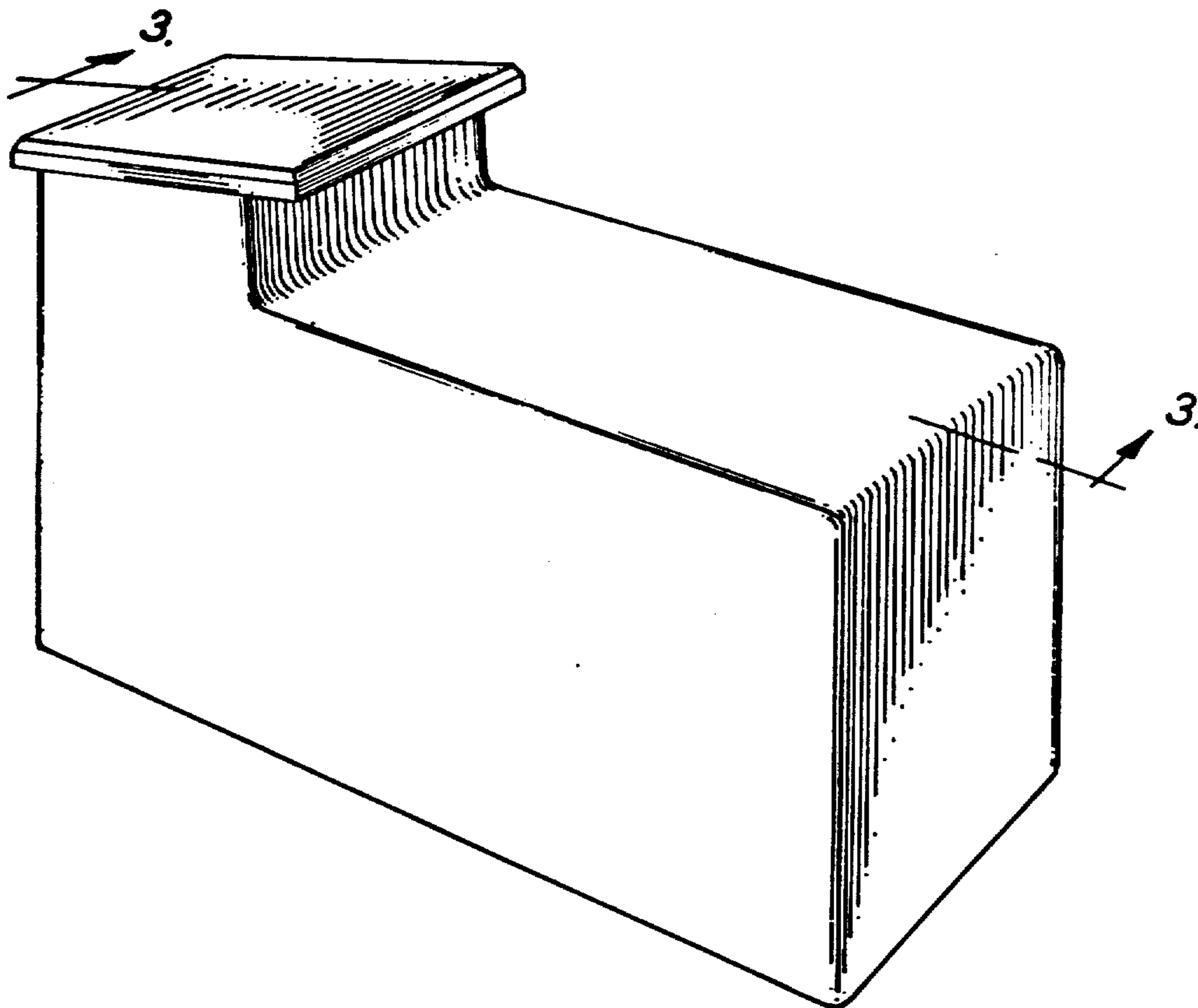


Fig. 1

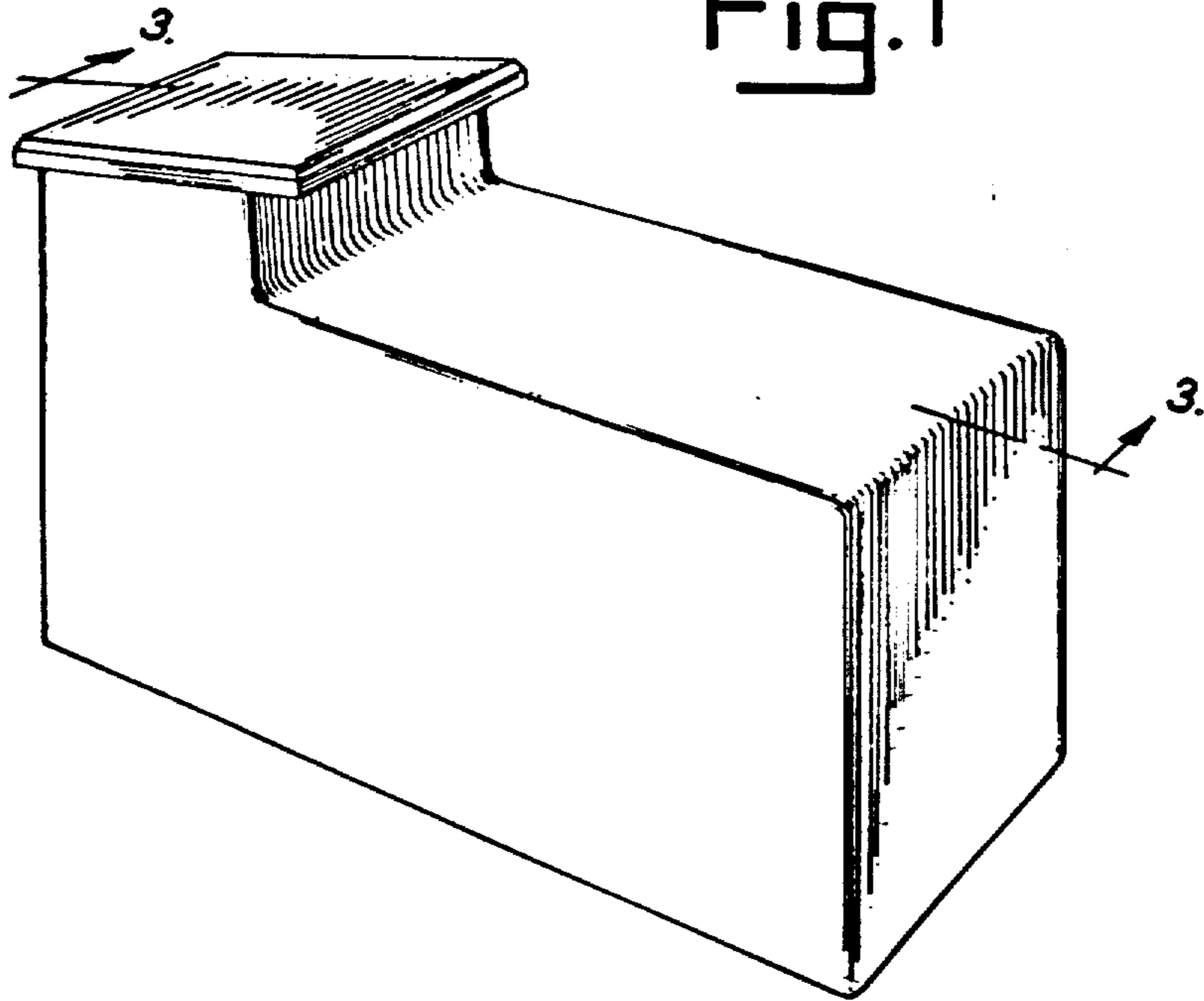


Fig. 2

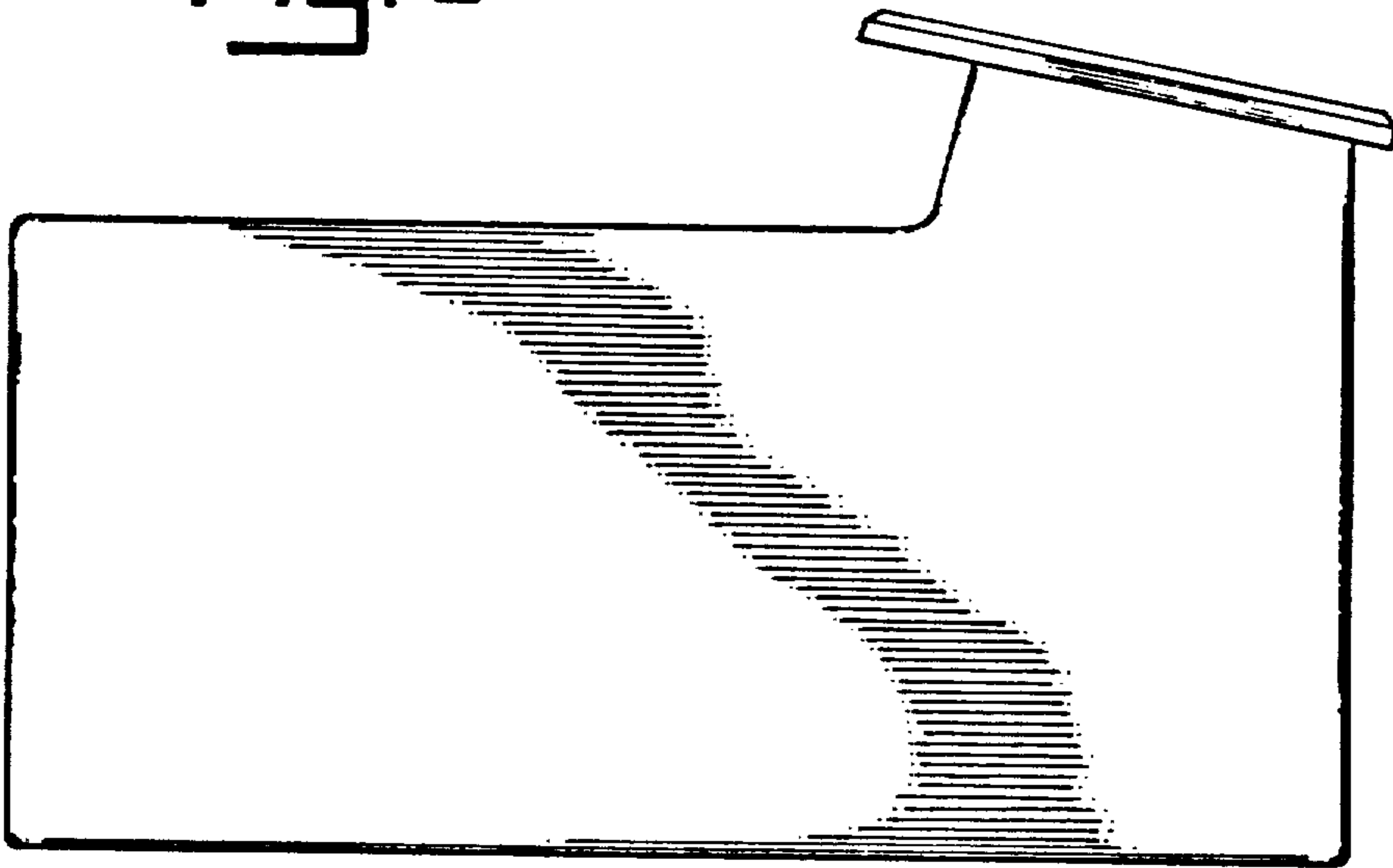


Fig. 3

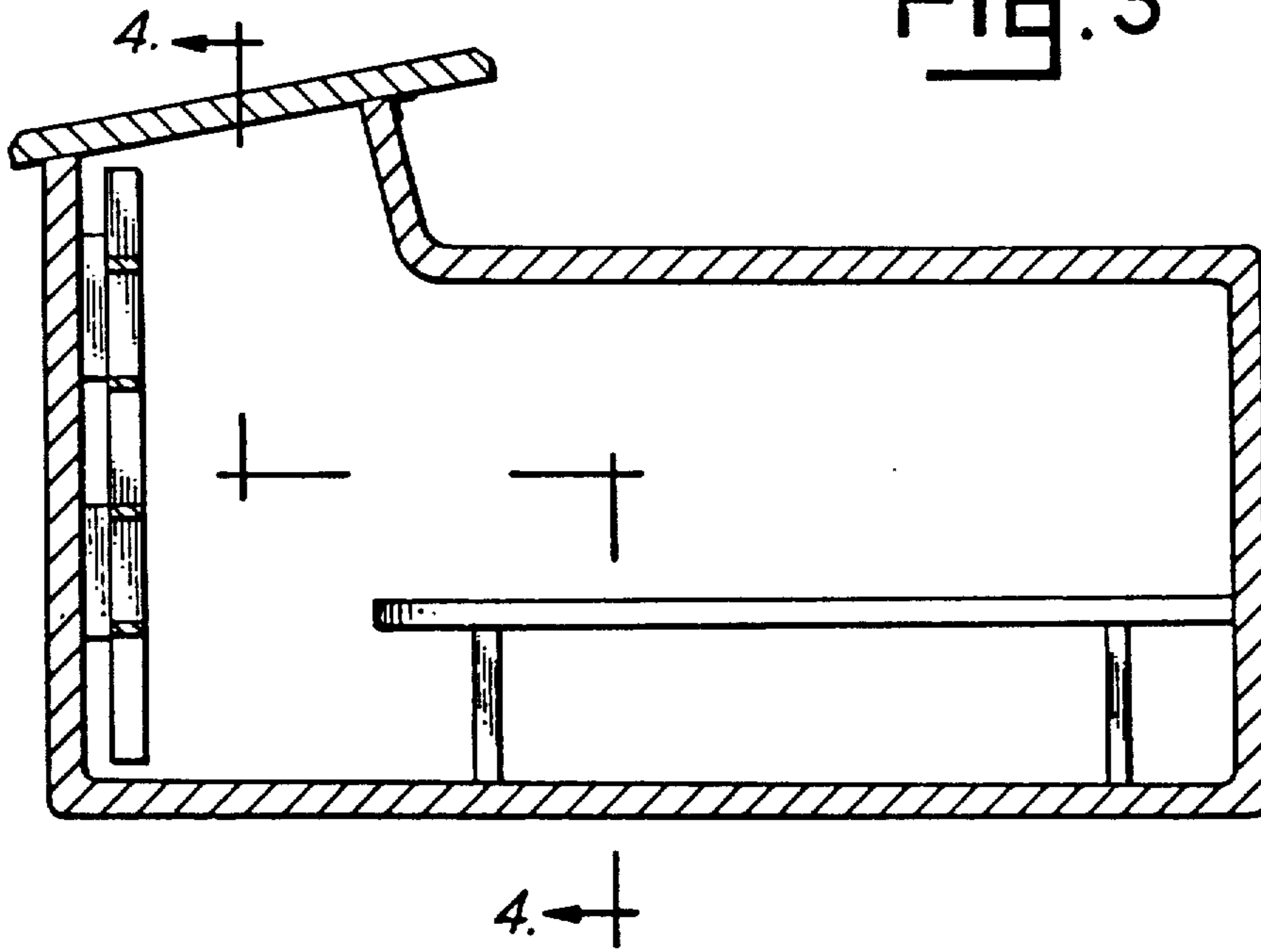


Fig. 4

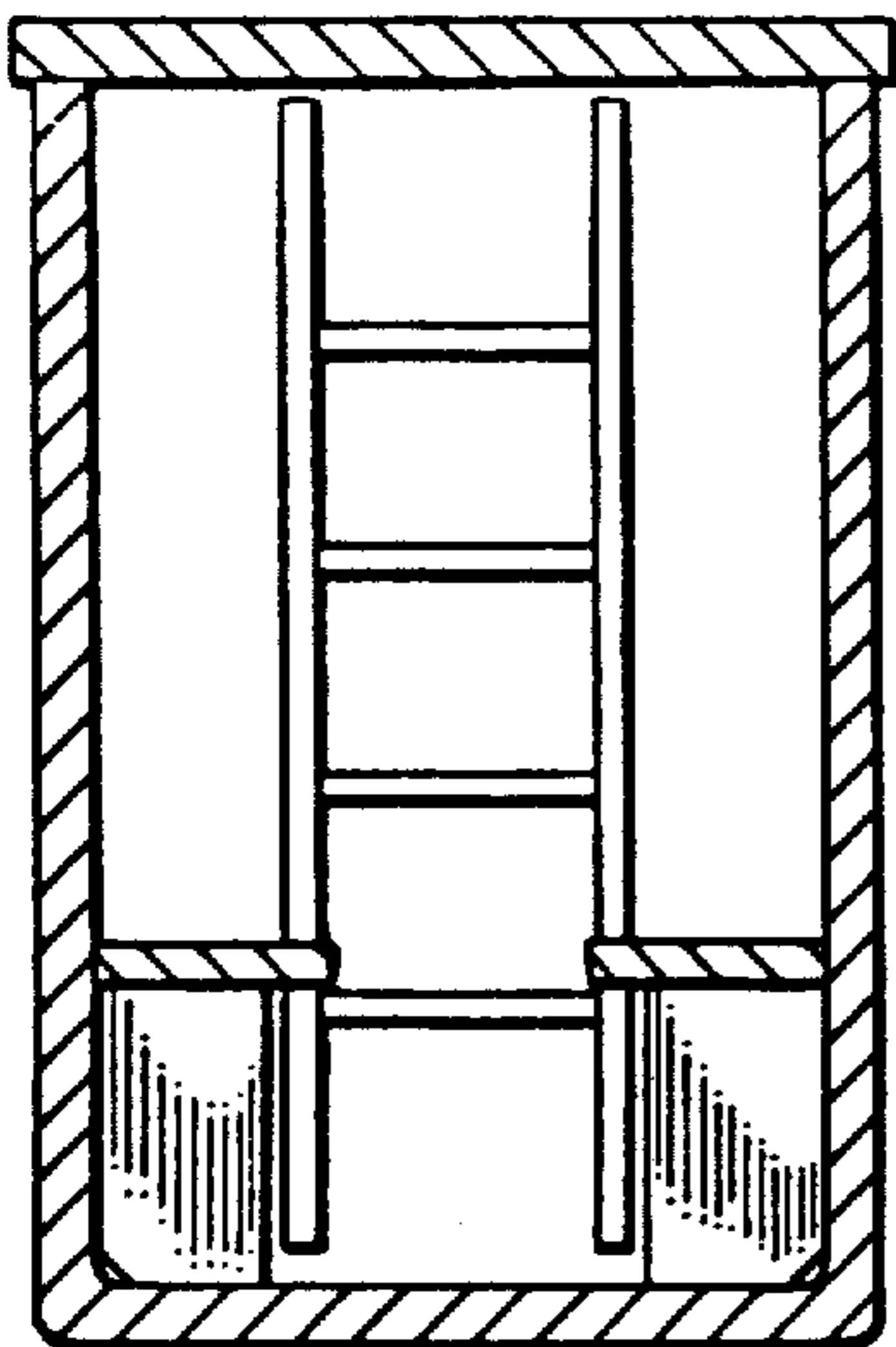


Fig. 5

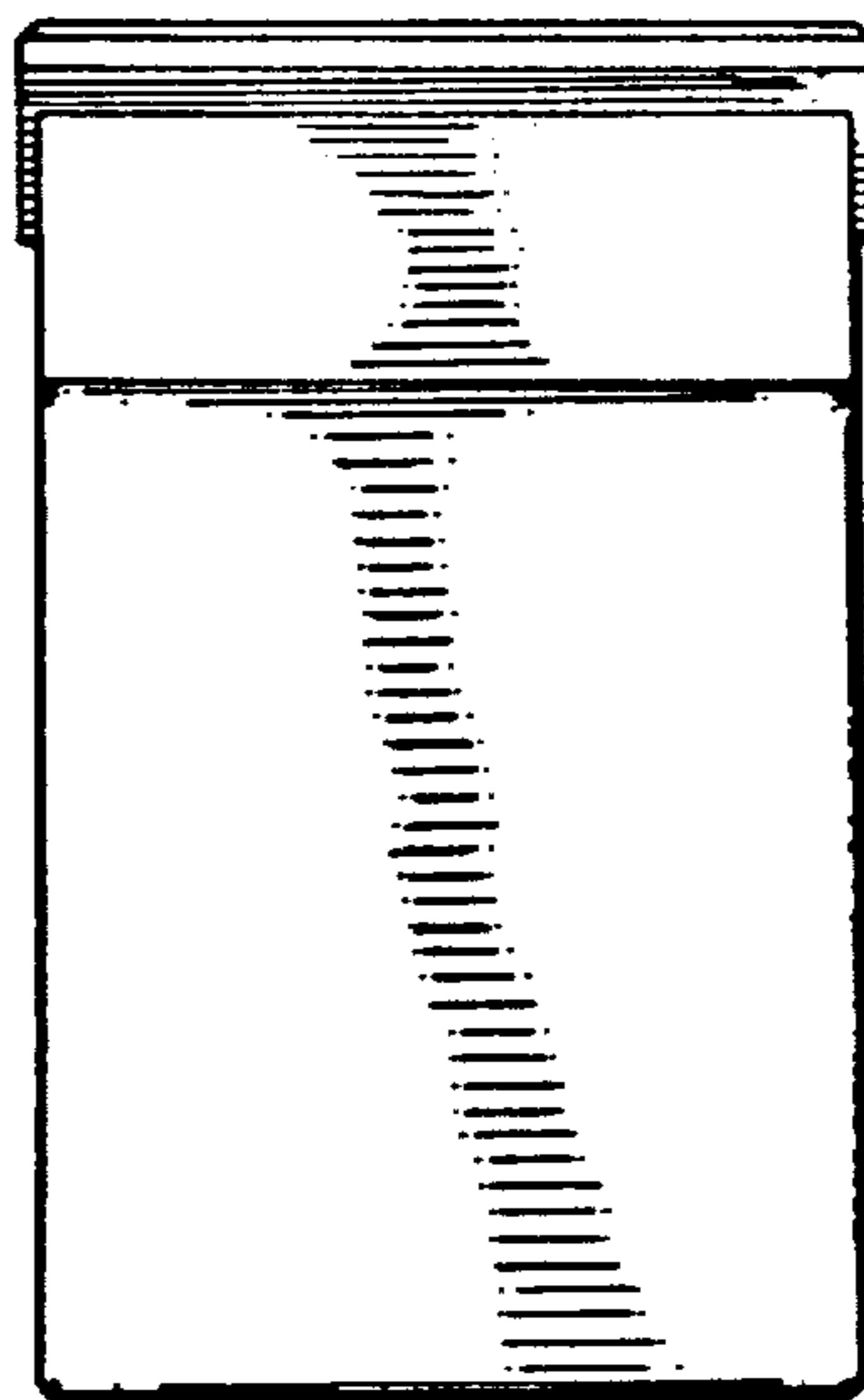


Fig. 6

