

[54] **COMBINED HEAT COLLECTOR AND DIFFUSER**

[76] Inventor: **Robert C. Monninger**, 110 N. Coolidge St., Normal, Ill. 61761

[**] Term: **14 Years**

[21] Appl. No.: **570,251**

[22] Filed: **Apr. 21, 1975**

[51] Int. Cl. **D23-03**

[52] U.S. Cl. **D23/127**

[58] Field of Search **D23/72, 73, 77, 78, D23/90.1, 93-97, 105, 108, 110, 111, 119-124, 127, 130, 135; D7/206, 207, 208, 211; 98/40 C; 236/38**

[56] **References Cited**

U.S. PATENT DOCUMENTS

2,639,655 5/1953 Whitehead 98/40 C

2,771,833 11/1956 Halliday et al. 98/40 C
3,648,591 3/1972 Winnett 98/40 C

Primary Examiner—Wallace R. Burke
Assistant Examiner—B. J. Bullock
Attorney, Agent, or Firm—William E. Anderson

[57] **CLAIM**

The ornamental design for a combined heat collector and diffuser, substantially as shown and described.

DESCRIPTION

FIG. 1 is a front perspective view of a combined heat collector and diffuser showing my new design;
FIG. 2 is a front elevational view thereof;
FIG. 3 is a top plan view thereof;
FIG. 4 is a side elevational view thereof.
The bottom of the combined heat collector and diffuser is open and unornamented.

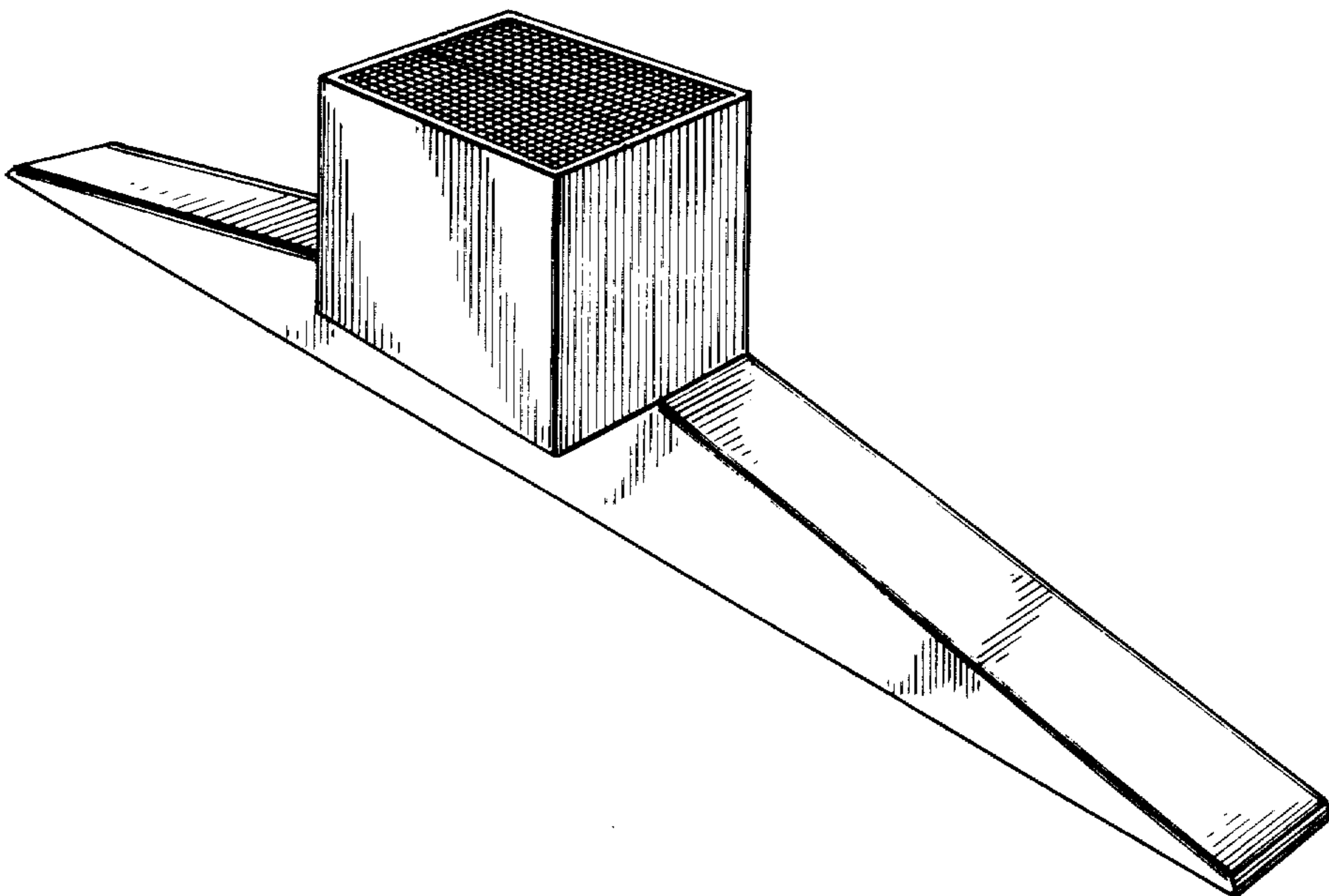


FIG. 1

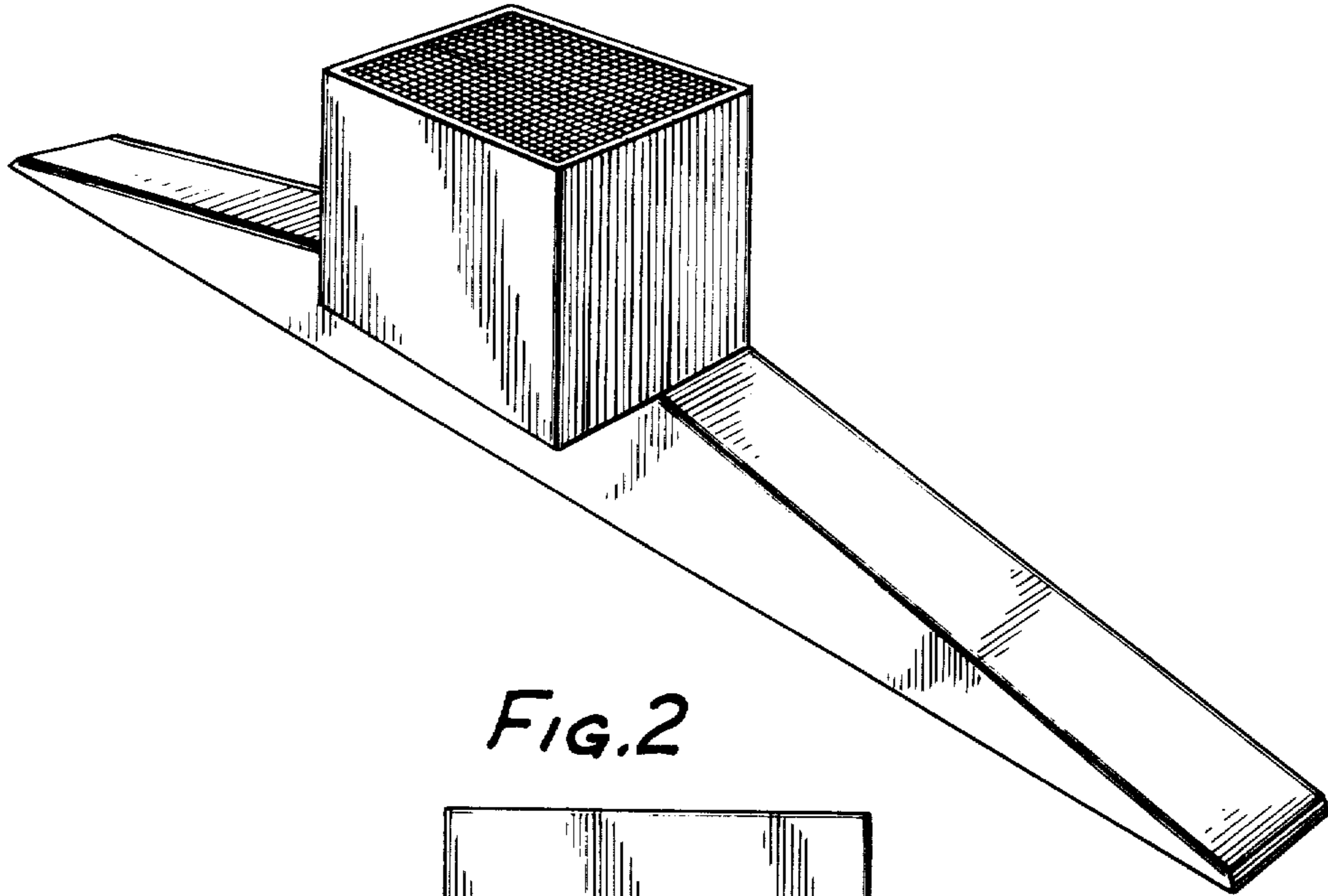


FIG. 2

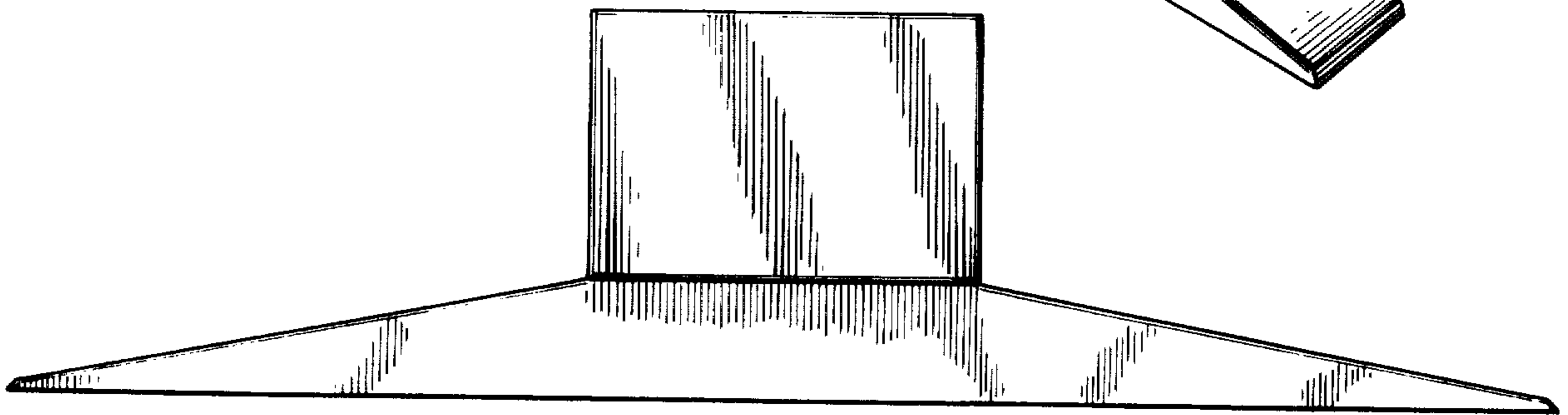


FIG. 3

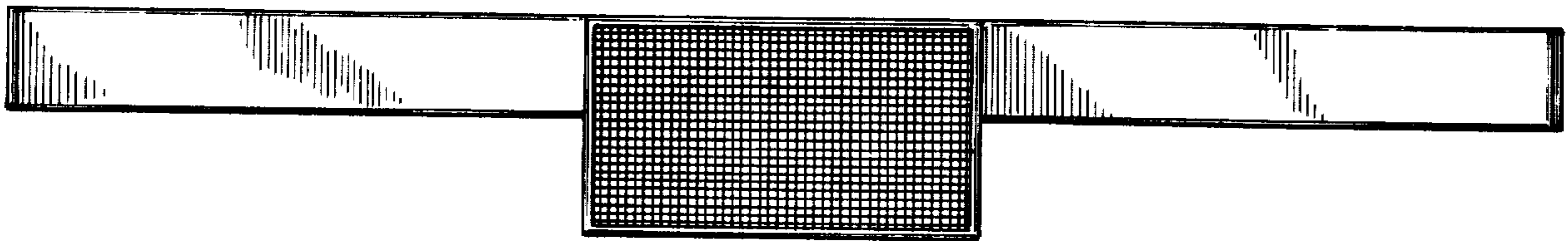


FIG. 4

