

[54] COPY HOLDER FOR A TYPIST OR THE LIKE

2,528,990	11/1950	Atwood	D19/91
3,099,101	7/1963	Burris	248/441 C
D170,098	7/1953	Swanson	D6/184
D206,168	11/1966	Degorski et al.	D6/184

[76] Inventor: Barry J. Lar Rieu, P.O. Box 752, Menlo Park, Calif. 94025

[**] Term: 14 Years

Primary Examiner—Joel Stearman
Assistant Examiner—George P. Word

[21] Appl. No.: 589,998

[22] Filed: June 25, 1975

[57] CLAIM

[51] Int. Cl. D19-02

The ornamental design for copy holder for a typist or the like, as shown.

[52] U.S. Cl. D19/91

[58] Field of Search D19/91, 90; D6/142, D6/184; 211/42, 43; 248/441 R, 441 C, 442.2, 447, 460; 40/352, 341

DESCRIPTION

[56] References Cited

FIG. 1 is a front elevational view of a copy holder for a typist or the like showing my new design; FIG. 2 is a right side elevational view; FIG. 3 is a rear elevational view; and FIG. 4 is a top plan view.

U.S. PATENT DOCUMENTS

2,505,814 5/1950 Voorhorst 248/442.2

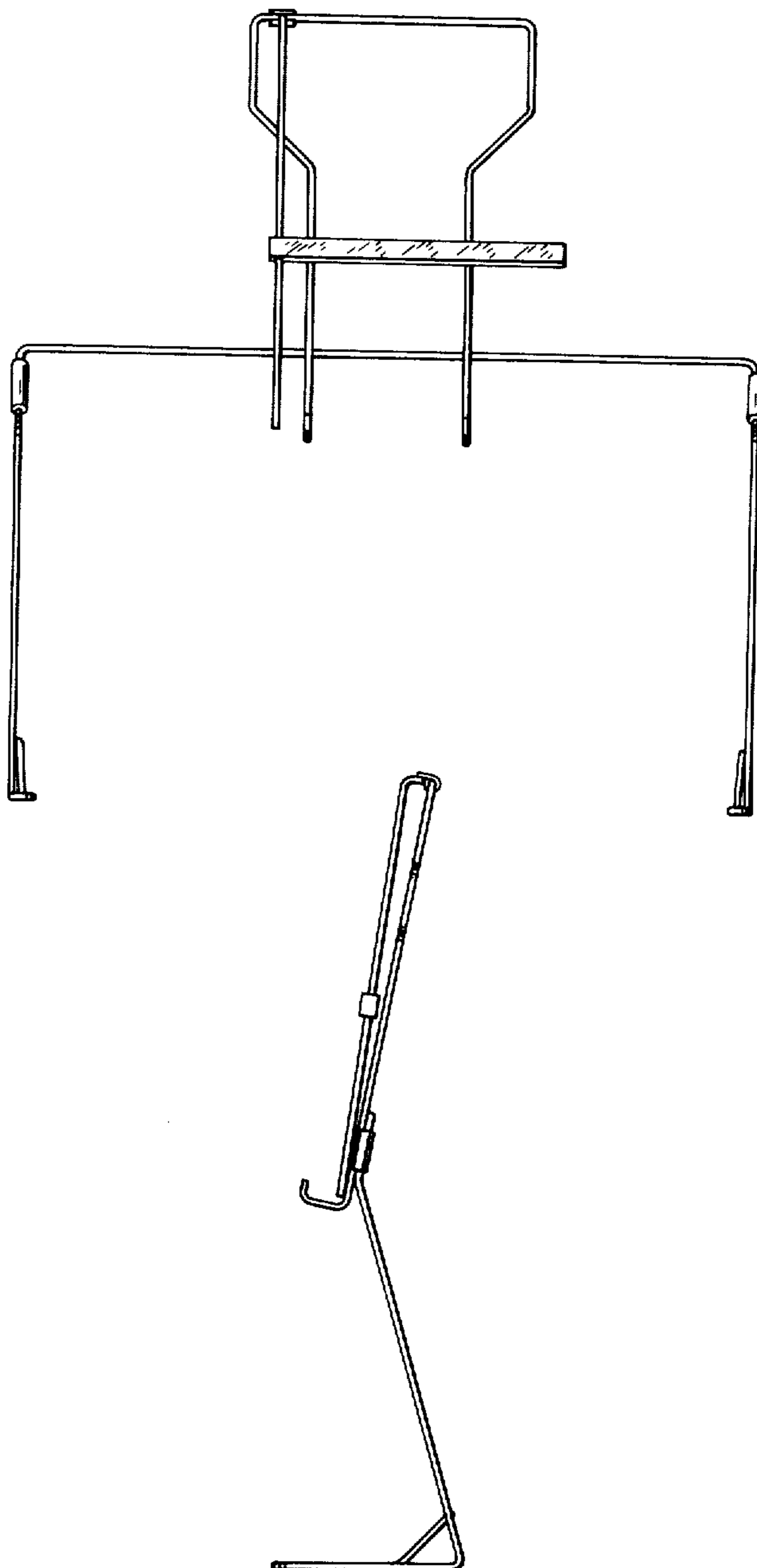


FIG. 1

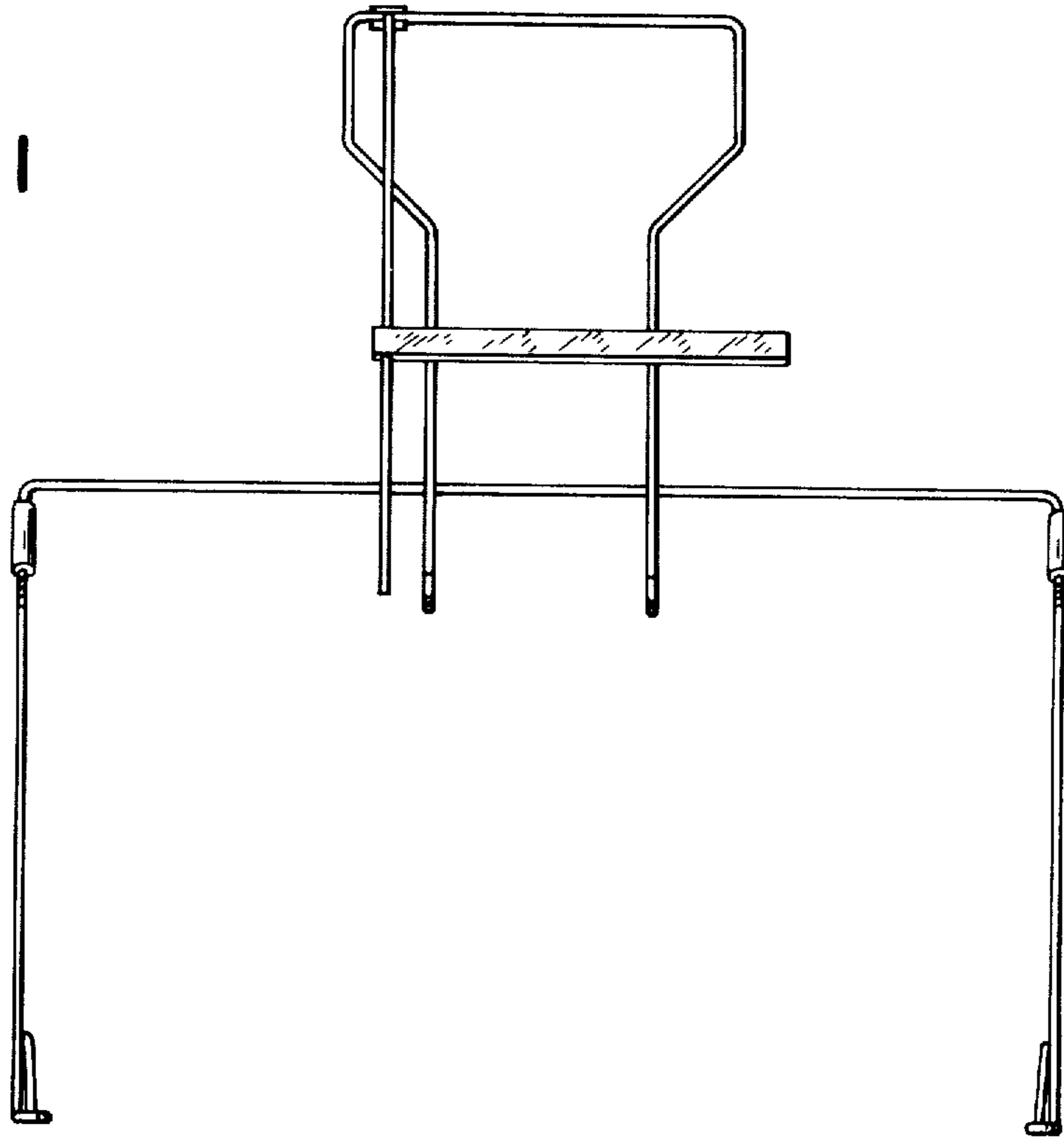


FIG. 2

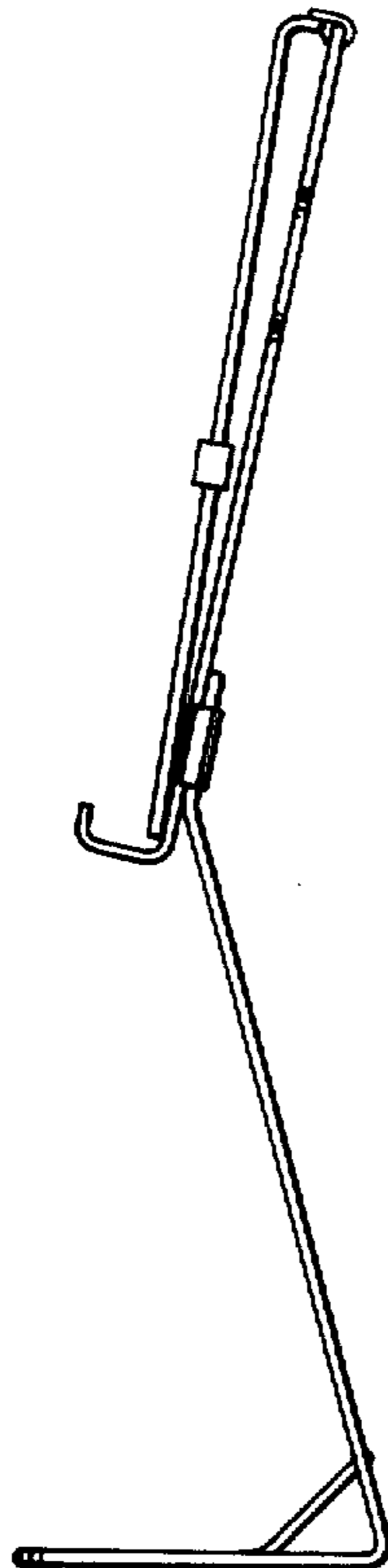


FIG. 3

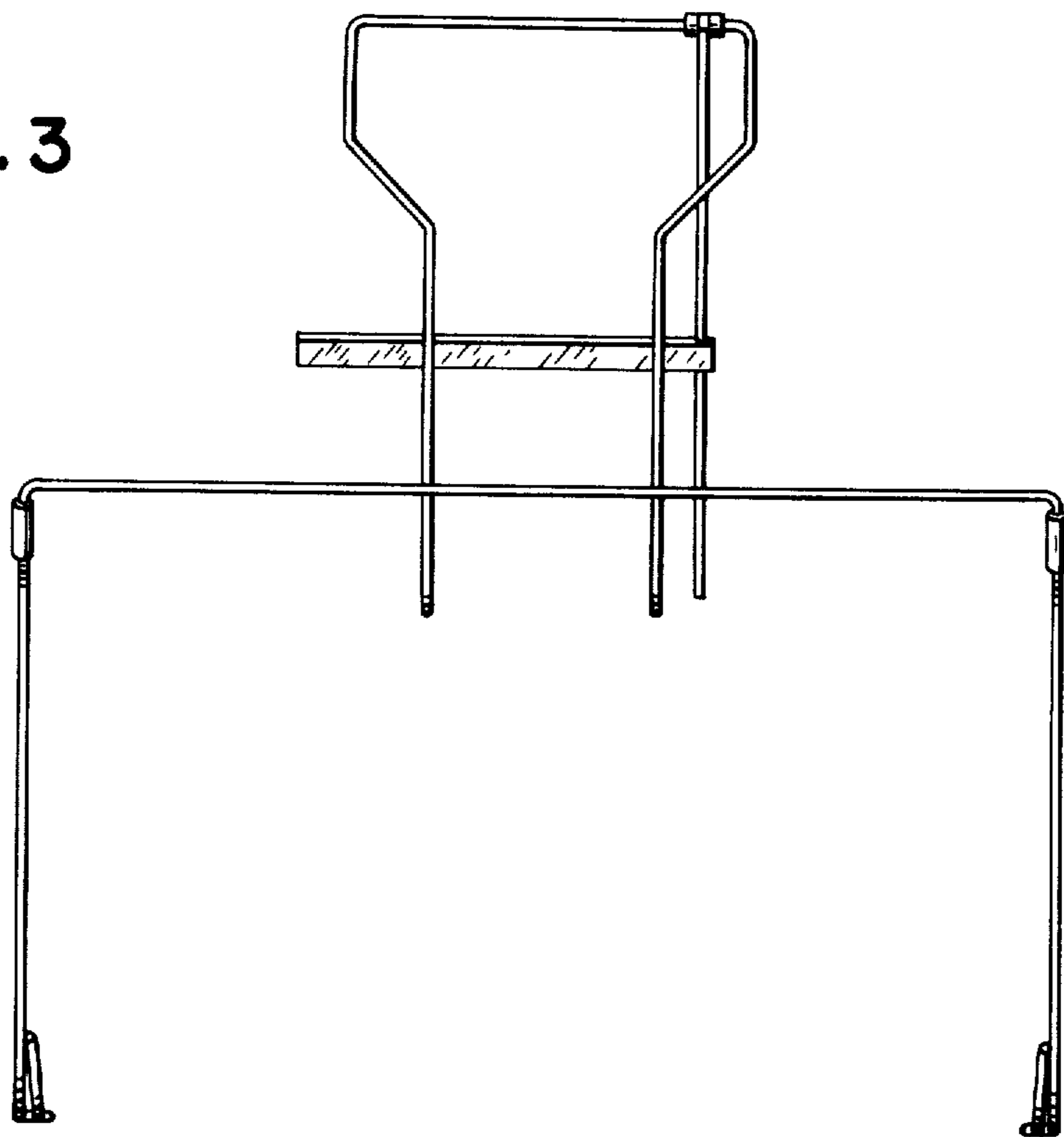


FIG. 4

