

[54] MICROSCOPE OPTICAL ASSEMBLY

[75] Inventors: Kazuo Masuyama, Osaka; Kuniomi Abe, Kobe; Yuji Maekawa, Nishinomiya, all of Japan

[73] Assignee: Konan Camera Research Institute, Nishinomiya, Japan

[**] Term: 7 Years

[21] Appl. No.: 651,140

[22] Filed: Jan. 21, 1976

[51] Int. Cl. D16-06

[52] U.S. Cl. D16/58

[58] Field of Search 350/84, 85, 81, 9; D57/1 E; D16/58

[56] References Cited

U.S. PATENT DOCUMENTS

3,637,283	1/1972	Tasaki et al.	350/91
3,640,374	2/1972	Peratis	350/81 UX
3,734,593	5/1973	Mori	350/84
3,778,131	12/1973	Wanesky	D57/1 E
3,797,100	3/1974	Browne	350/81

D143,913 2/1946 Fairbank et al. D57/1 E
D235,684 7/1975 Aalen et al. D57/1 E

Primary Examiner—Bernard Ansher
Attorney, Agent, or Firm—Eugene E. Geoffrey, Jr.

[57] CLAIM

The ornamental design of a microscope optical assembly, as shown.

DESCRIPTION

FIG. 1 is a perspective view of a microscope optical assembly showing our new design;

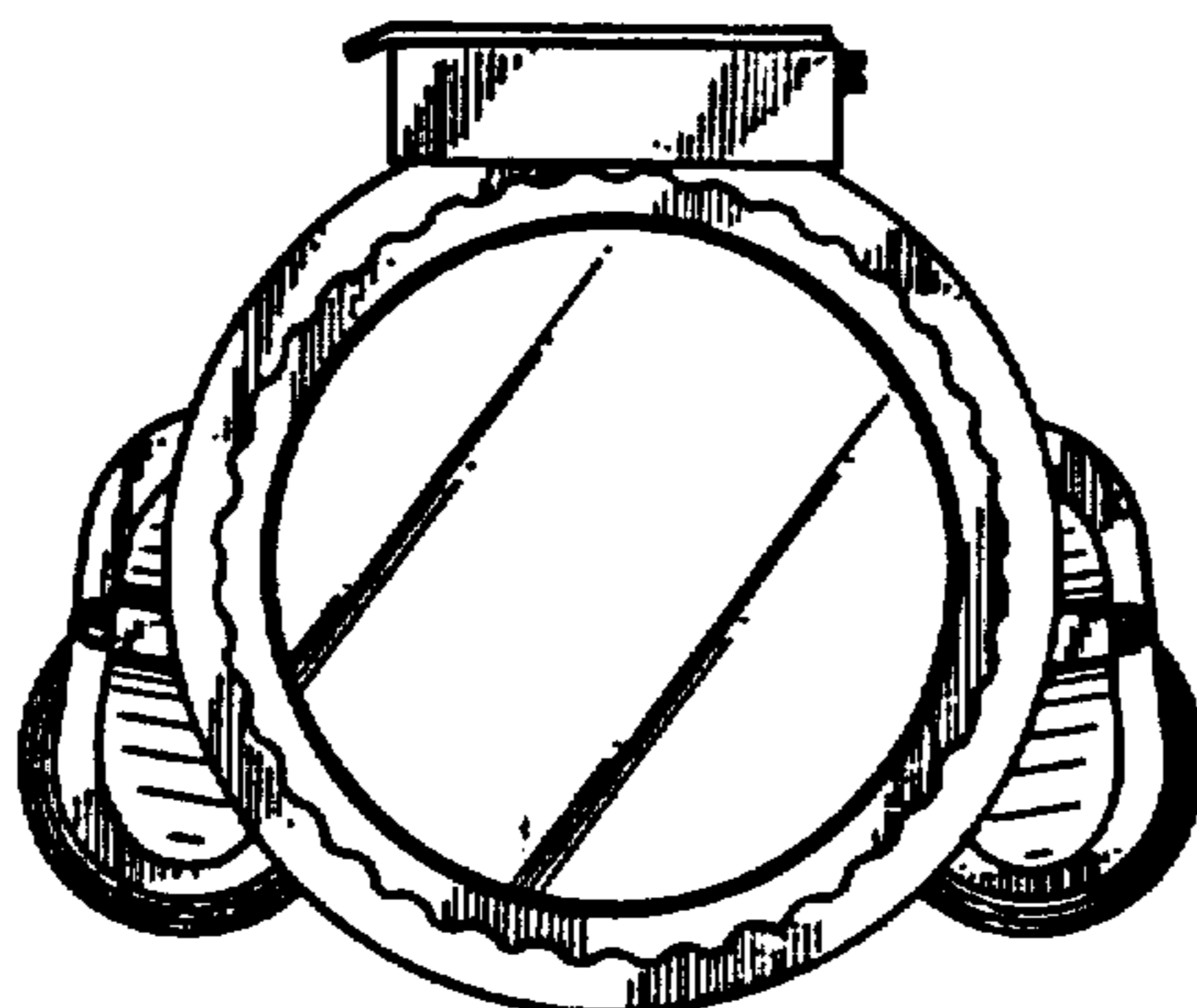
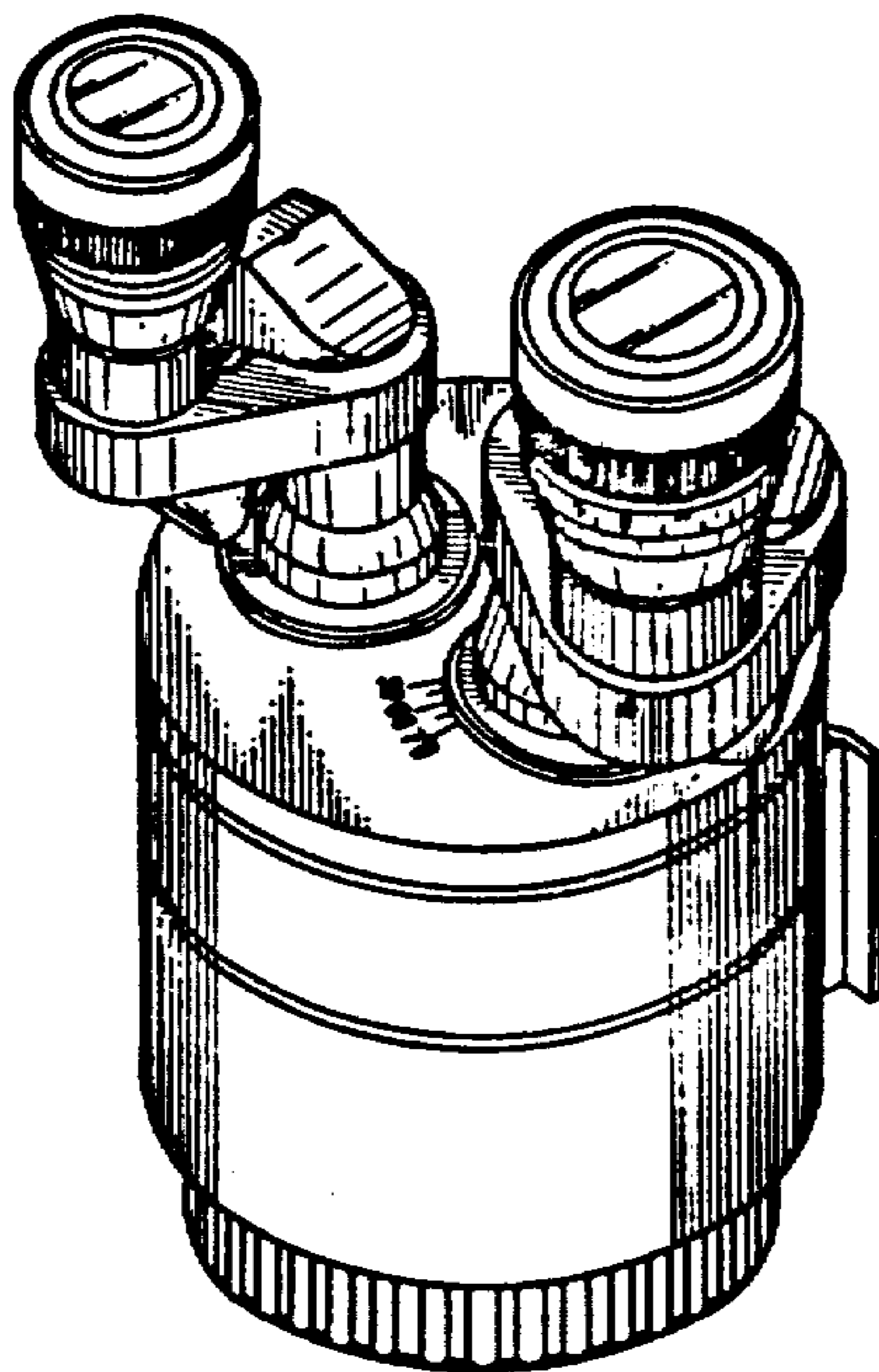
FIG. 2 is a front view of the microscope as shown in FIG. 1.

FIG. 3 is a left side view of the microscope as illustrated in FIG. 2.

FIG. 4 is a right side view of the microscope as illustrated in FIG. 2.

FIGS. 5 and 6 are the top and bottom plan views of the microscope as shown in FIG. 2.

FIG. 7 is a rear view of the microscope as shown in FIG. 2.



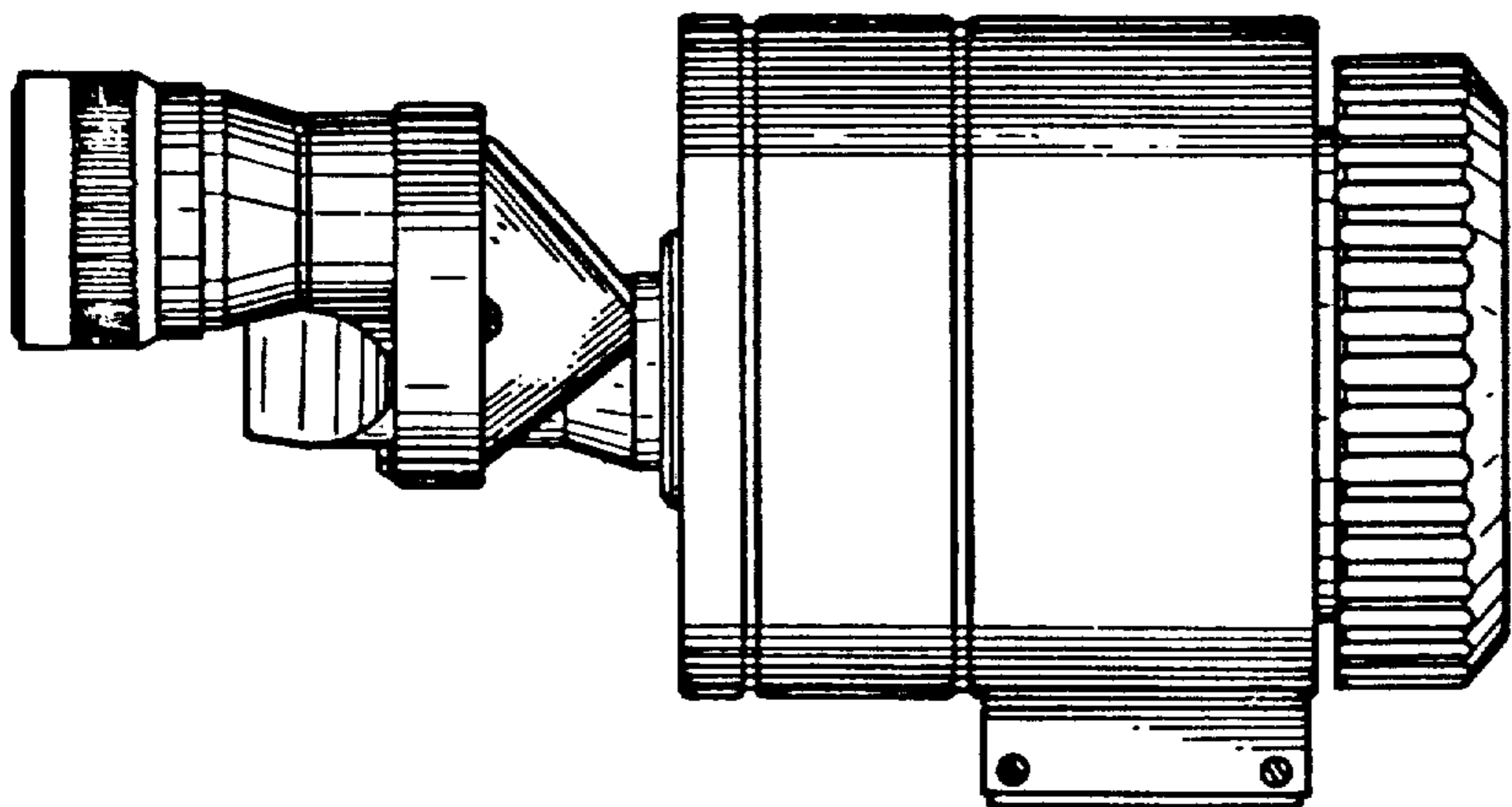


FIG. 3

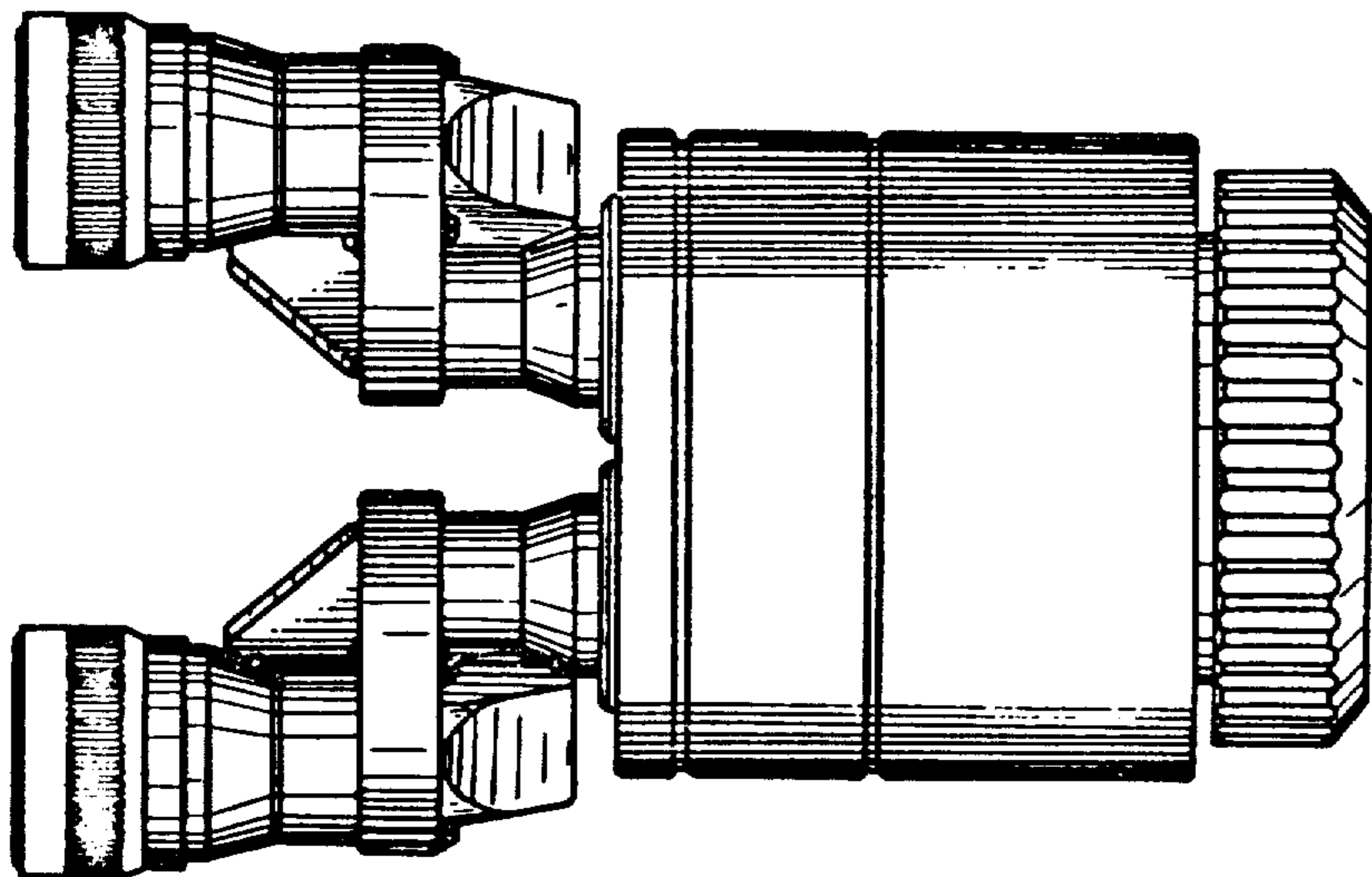


FIG. 2

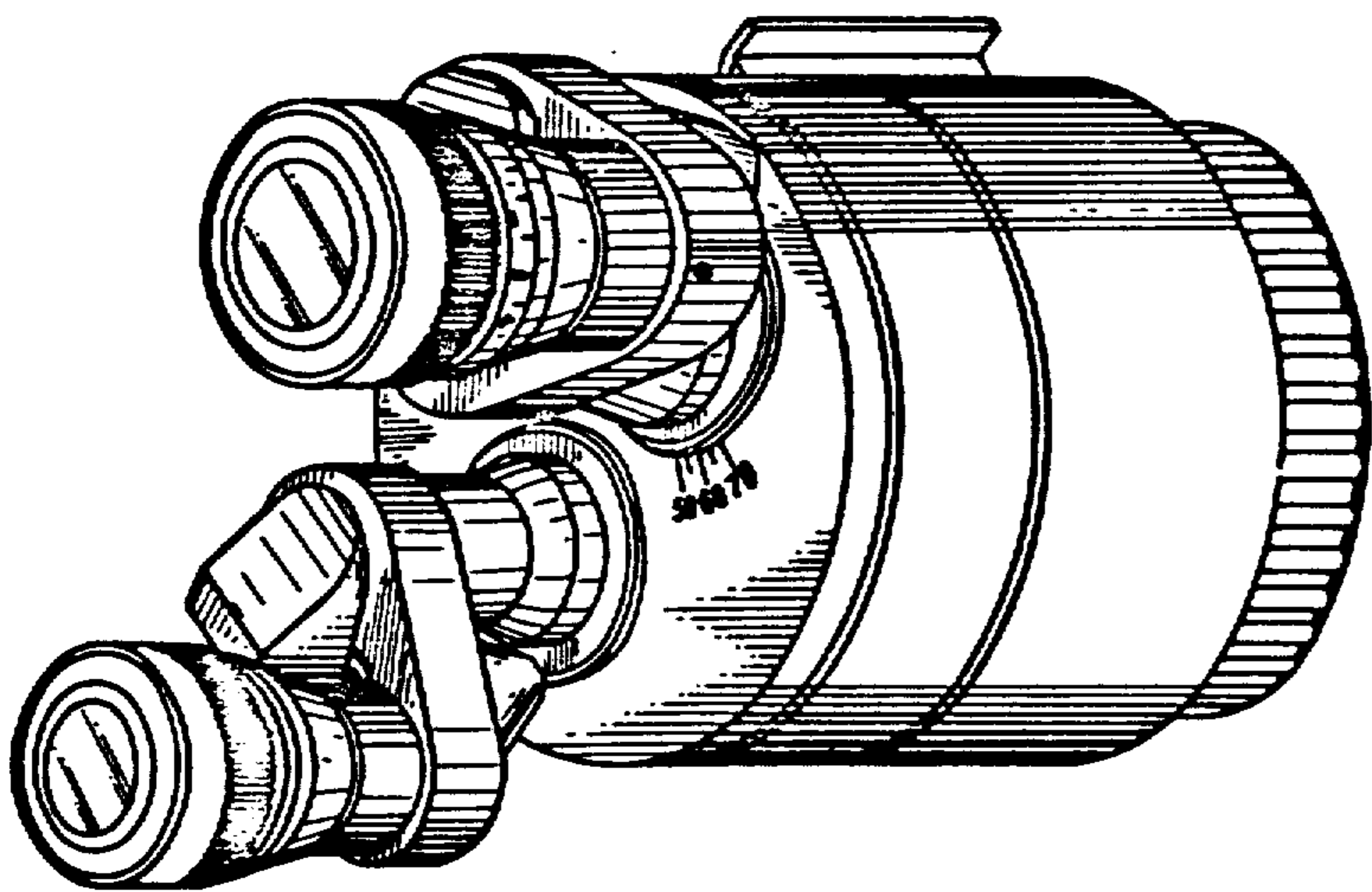


FIG. 1

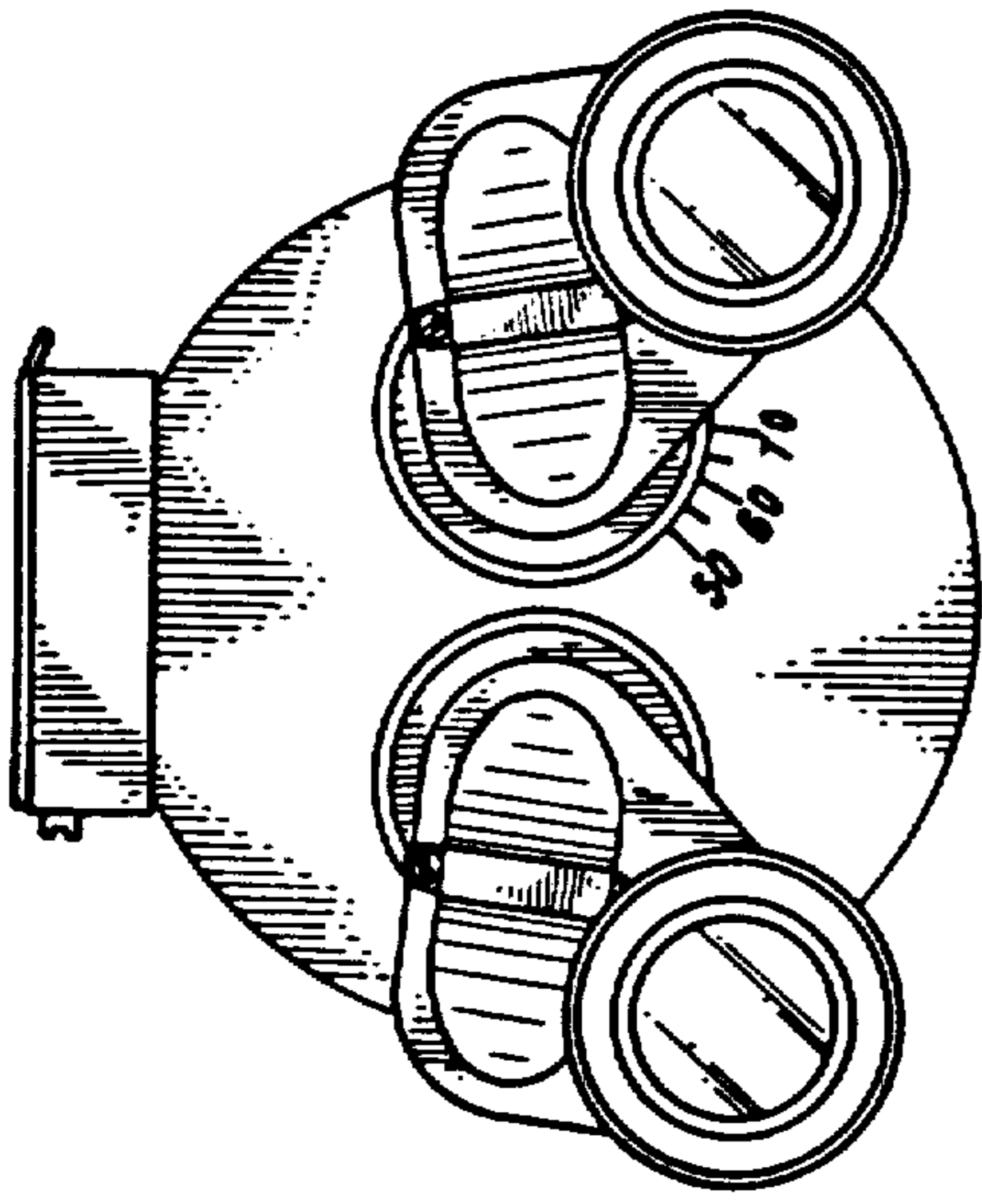


FIG. 5

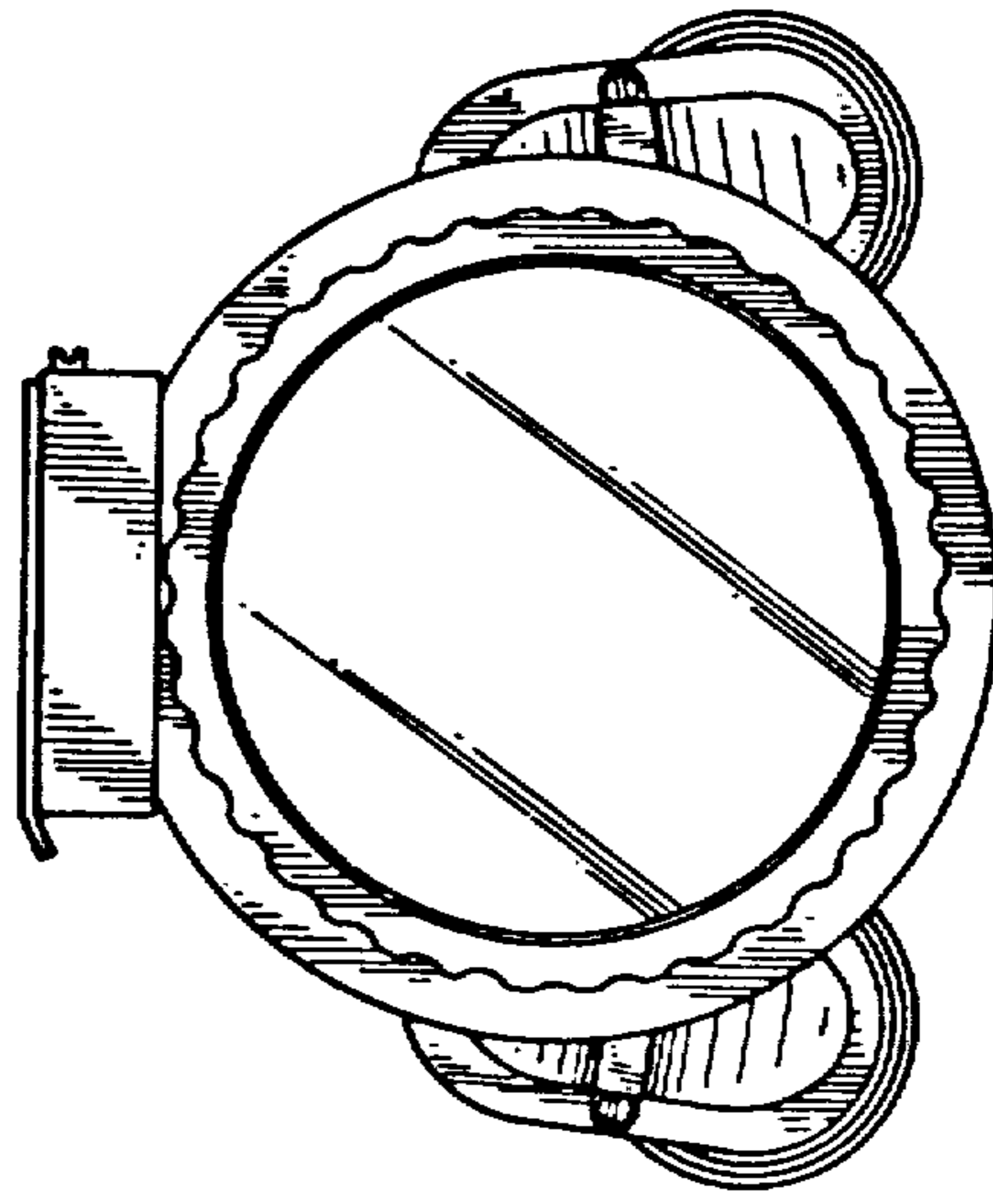


FIG. 6

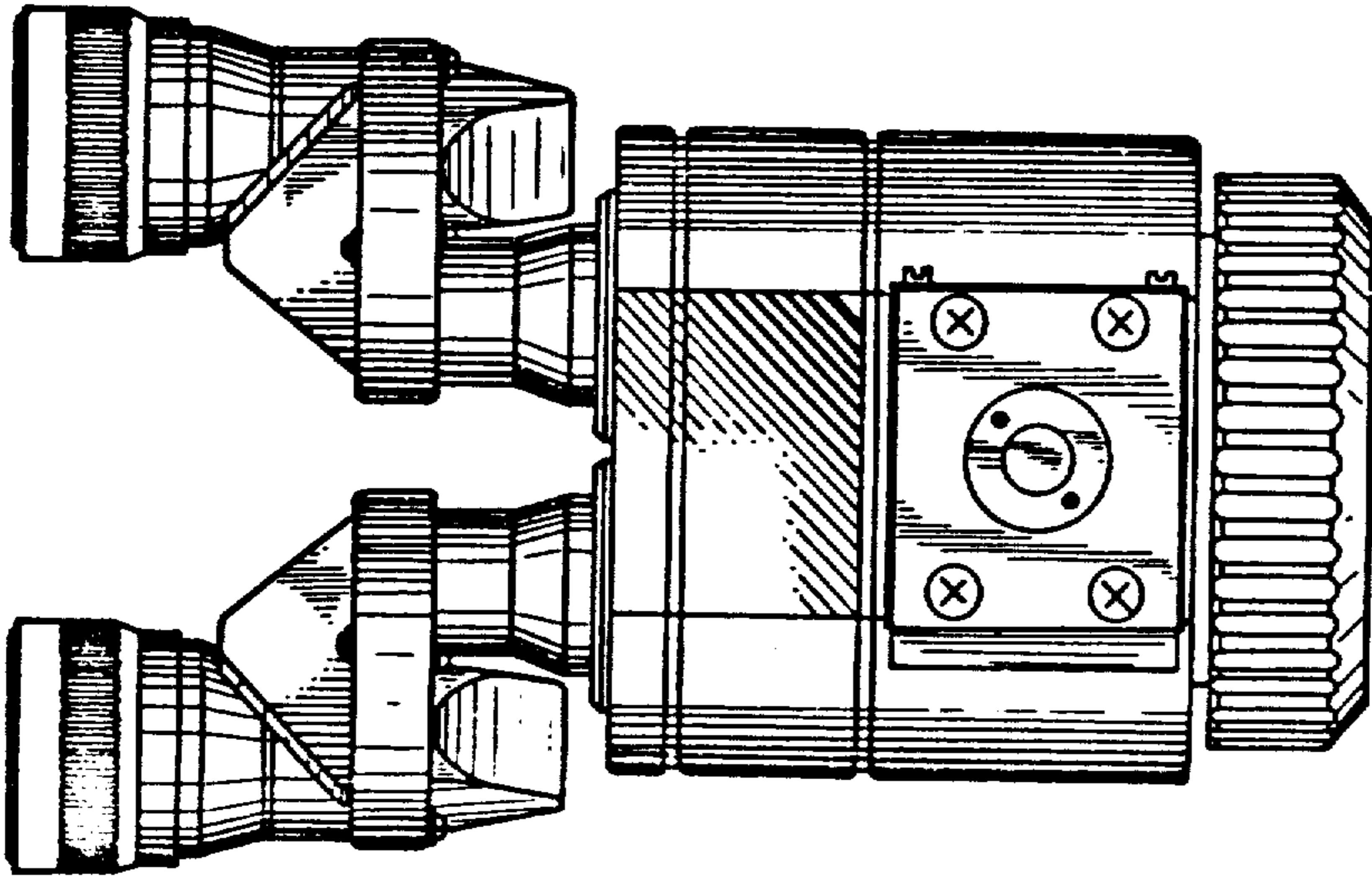


FIG. 7

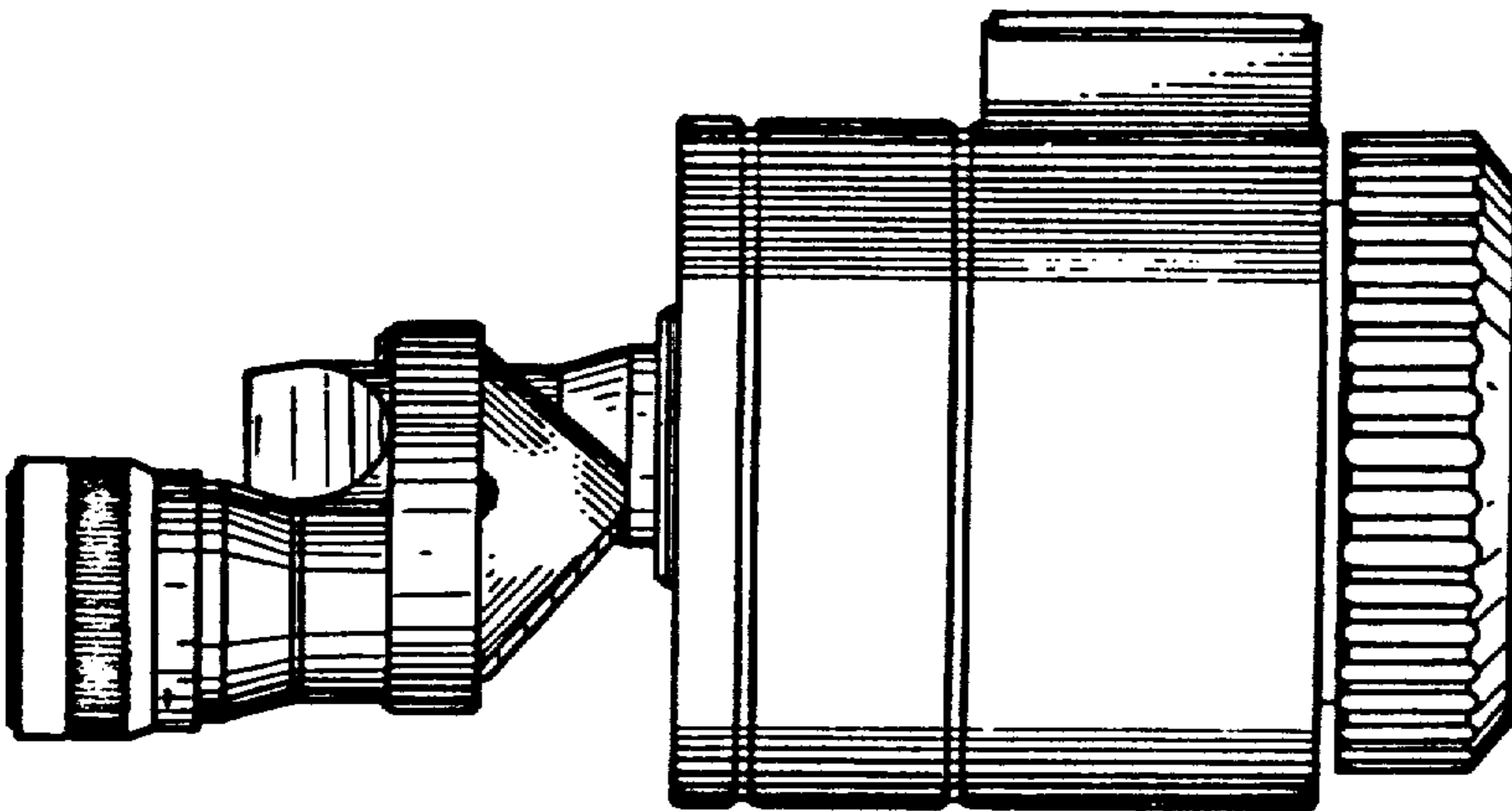


FIG. 4