

United States Patent [19]

Kilburn et al.

[11] Des. 242,914

[45] ** Jan. 4, 1977

[54] BEAN HARVESTER

[75] Inventors: Ronald L. Kilburn; James E. Fellion,
both of Ft. Collins, Colo.

[73] Assignee: H.F.E., Inc.

[**] Term: 14 Years

[21] Appl. No.: 613,551

[22] Filed: Sept. 15, 1975

[51] Int. Cl. D15-03

[52] U.S. Cl. D15/27

[58] Field of Search D40/1 E; 56/126-130,
56/13.5, 16.1, 1, DIG. 1

[56] References Cited

OTHER PUBLICATIONS

Innes Bean Windrower Brochure, rec'd. Dec. 1964,
front cover, Bean Windrower.

Innes Bean Windrower Brochure, rec'd. Dec. 1964, p.
2, Model 600R, 700R & 800R, bottom right side of
page.

Primary Examiner—Wallace R. Burke
Assistant Examiner—James M. Gandy
Attorney, Agent, or Firm—Ralph F. Crandell

[57] CLAIM

The ornamental design for a bean harvester, as shown.

DESCRIPTION

FIG. 1 is a perspective view of a bean harvester em-
bodying our new design.

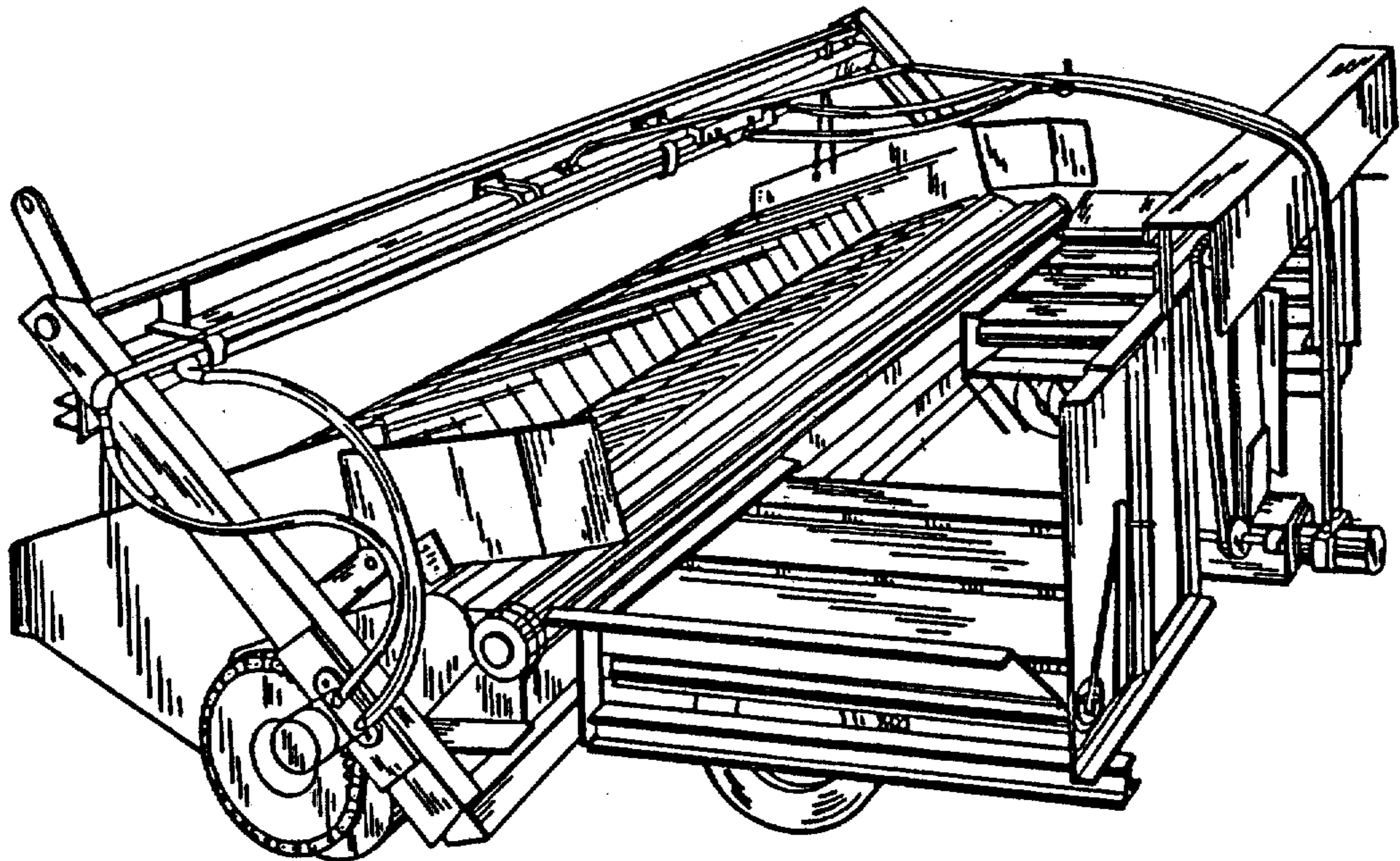
FIG. 2 is a left side elevational view thereof.

FIG. 3 is a rear elevational view thereof.

FIG. 4 is a right side elevational view thereof.

FIG. 5 is a front elevational view thereof.

FIG. 6 is a top plan view thereof.



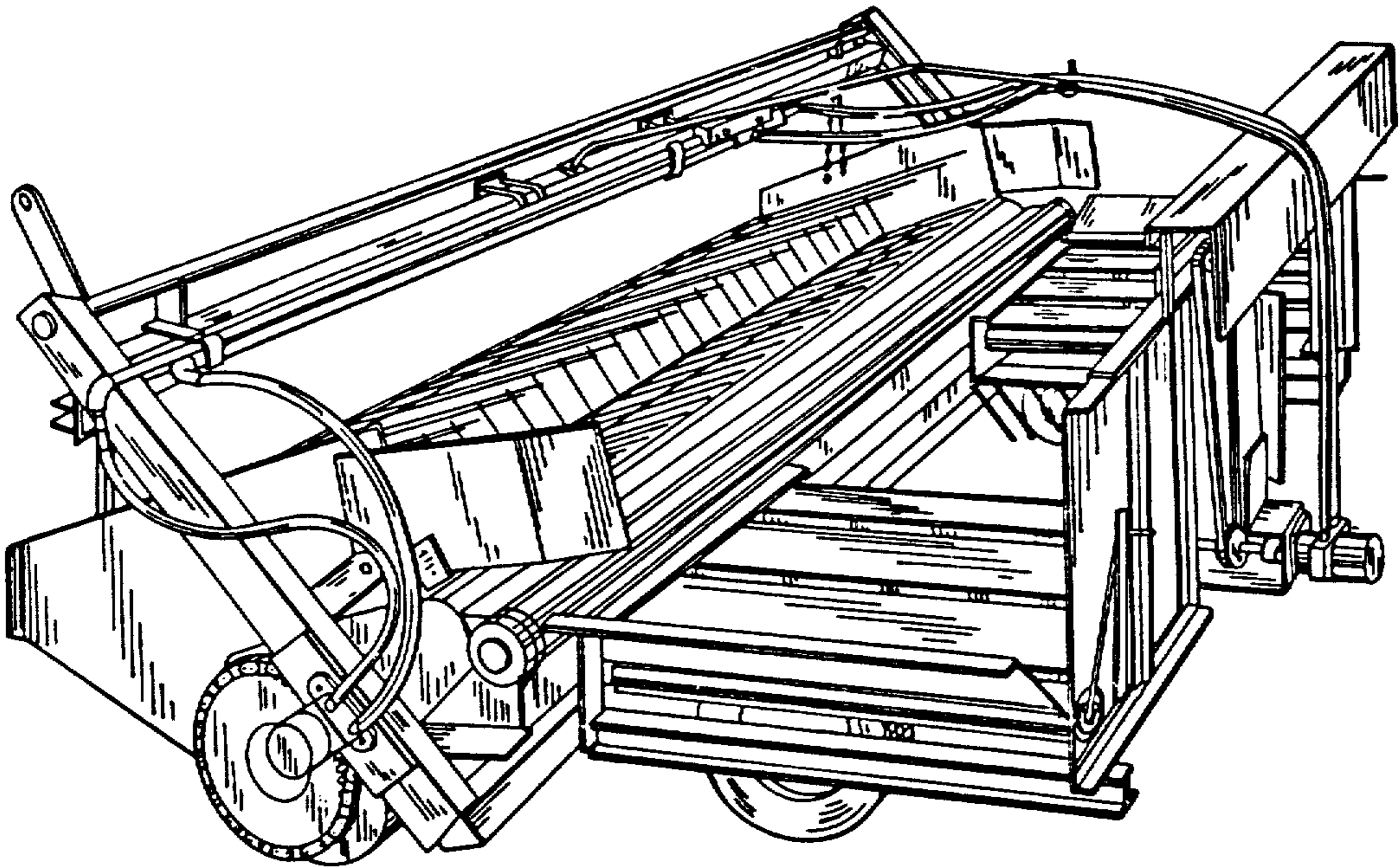


Fig-1

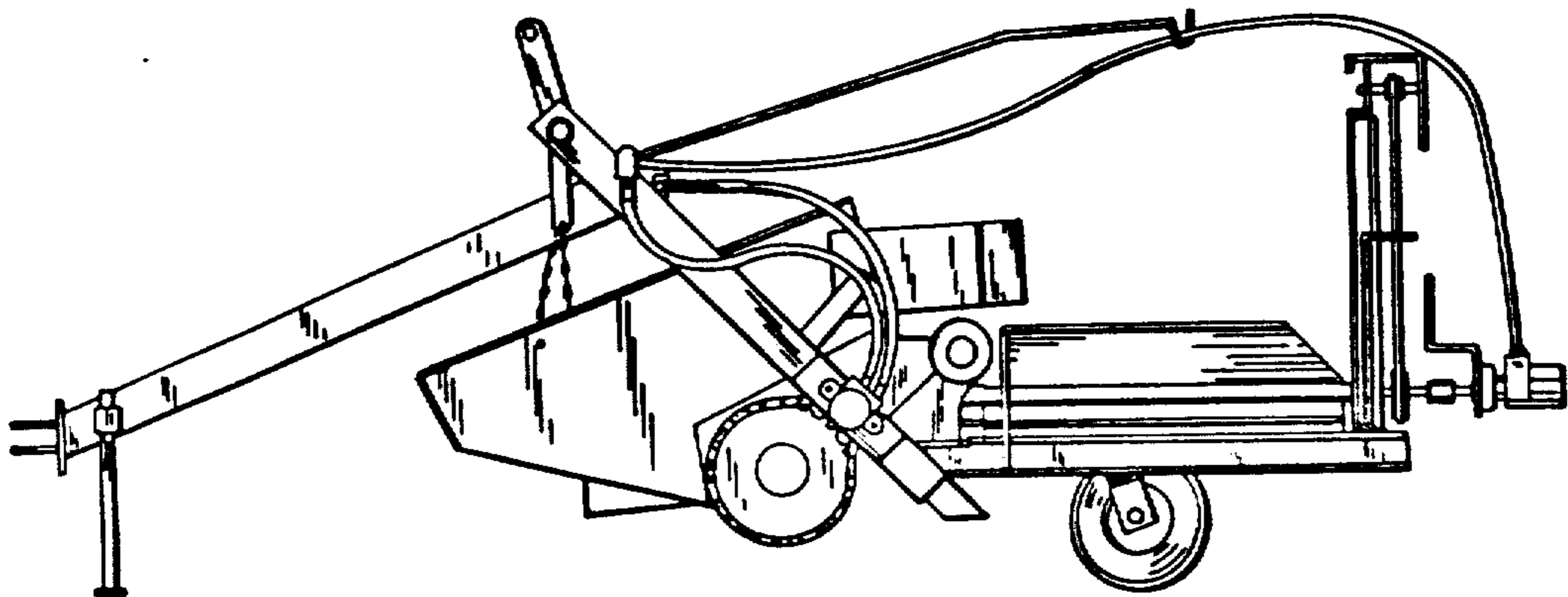


Fig-2

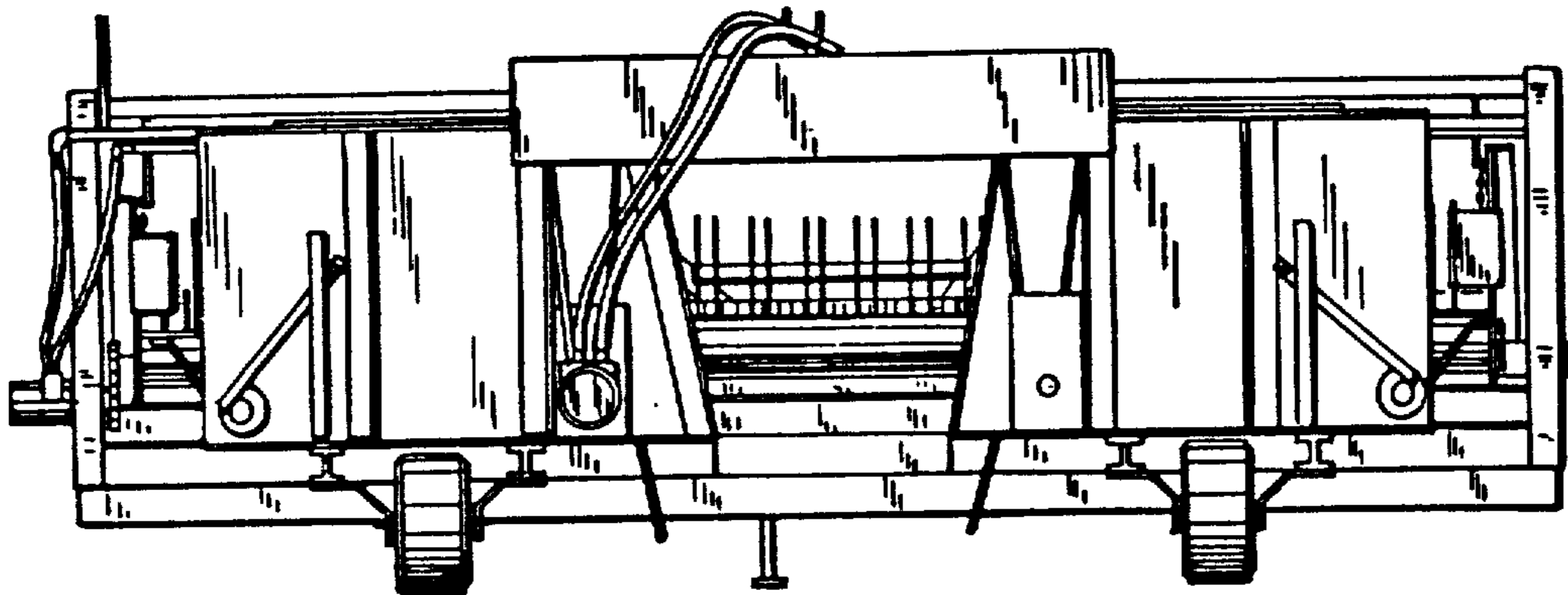


Fig-3

