

[54] LIFTING JACK

[75] Inventor: Velu K. K. Dasan, Madras, India

[73] Assignee: Ashok Kumar Shetty

[**] Term: 14 Years

[21] Appl. No.: 557,626

[22] Filed: Mar. 12, 1975

[51] Int. Cl. D12-05

[52] U.S. Cl. D12/55

[58] Field of Search D12/55, 147, 148, 151, D12/211, 209; 254/93

[56] References Cited

U.S. PATENT DOCUMENTS

| | | | |
|-----------|---------|--------------|----------|
| 3,677,518 | 7/1972 | Buys | 254/93 R |
| D196,791 | 11/1963 | Knight | D12/211 |
| D216,191 | 12/1969 | Parker | D12/211 |
| D219,297 | 11/1970 | Clay | D12/55 |

FOREIGN PATENT DOCUMENTS

| | | | |
|-----------|---------|--------------|-----------|
| 469,355 | 11/1950 | Canada | 254/93 R |
| 1,374,113 | 8/1964 | France | 254/93 HP |

OTHER PUBLICATIONS

1971 Tread Design Guide, p. 152, Giant Stop Skid Tire, top left side of page.

1971 Tread Design Guide, p. 162, LeHavre Mud & Snow Tire, center left side of page.

1971 Tread Design Guide, p. 193, Firestone Ground Grip Non-Directional Tire, bottom right side of page.

Primary Examiner—Susie J. Mercer

Assistant Examiner—James M. Gandy

Attorney, Agent, or Firm—Robert J. Doherty

[57] CLAIM

The ornamental design for a lifting jack, substantially as shown.

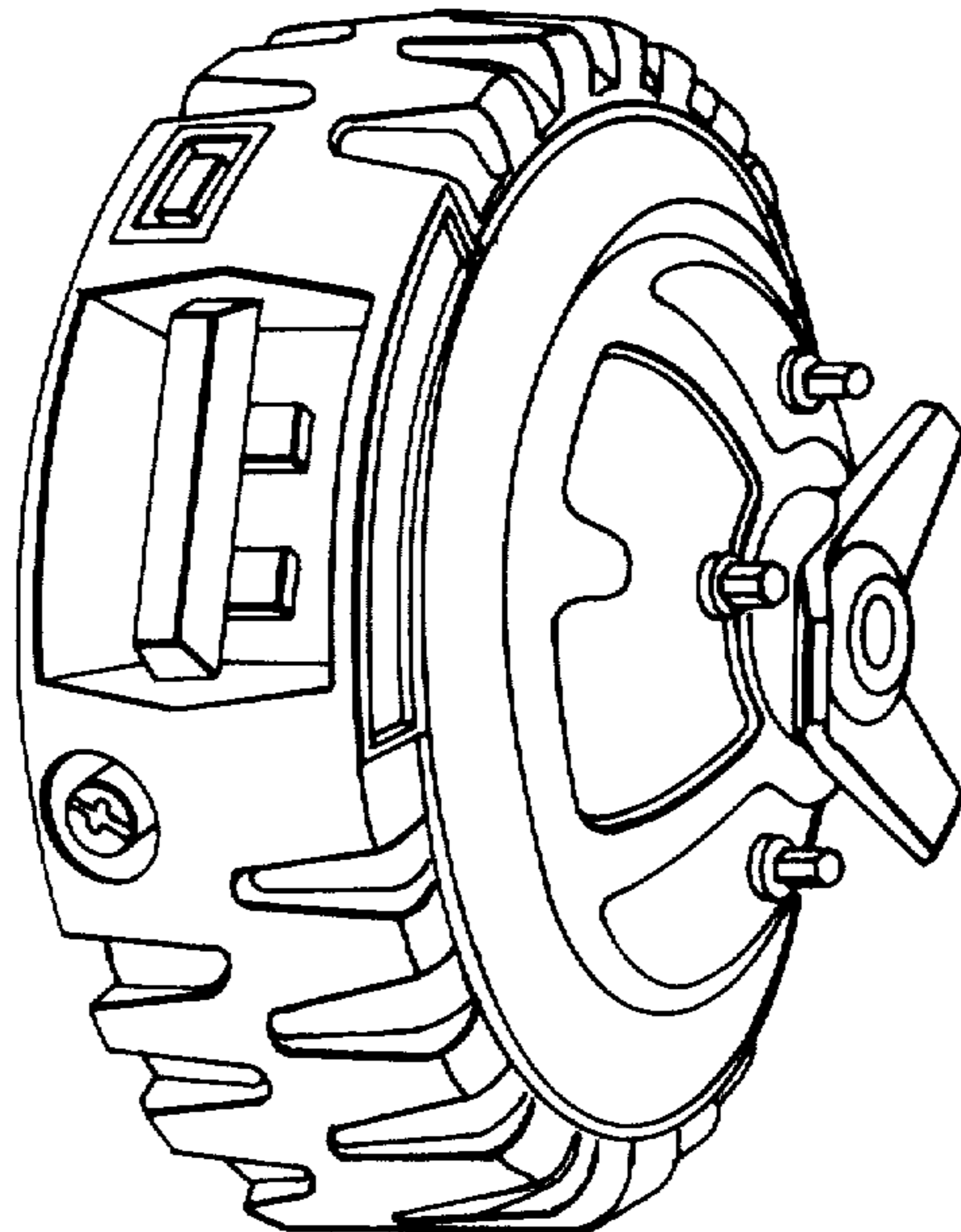
DESCRIPTION

FIG. 1 is a front perspective view of one end of a lifting jack showing my new design;

FIG. 2 is a front perspective view thereof of the end opposite to that shown in FIG. 1;

FIG. 3 is a rear elevational view thereof; and

FIG. 4 is a rear perspective view thereof.



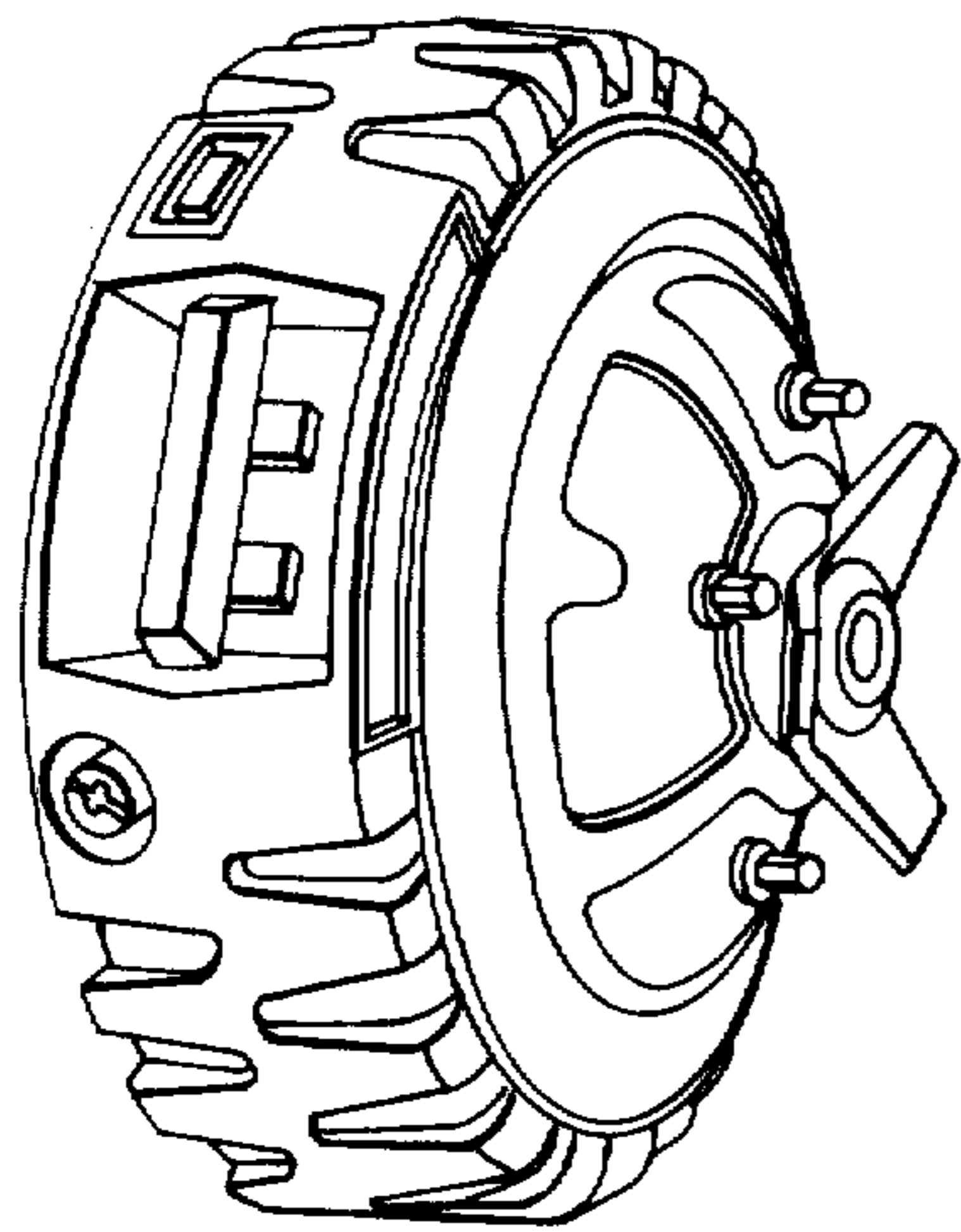


FIG. 1

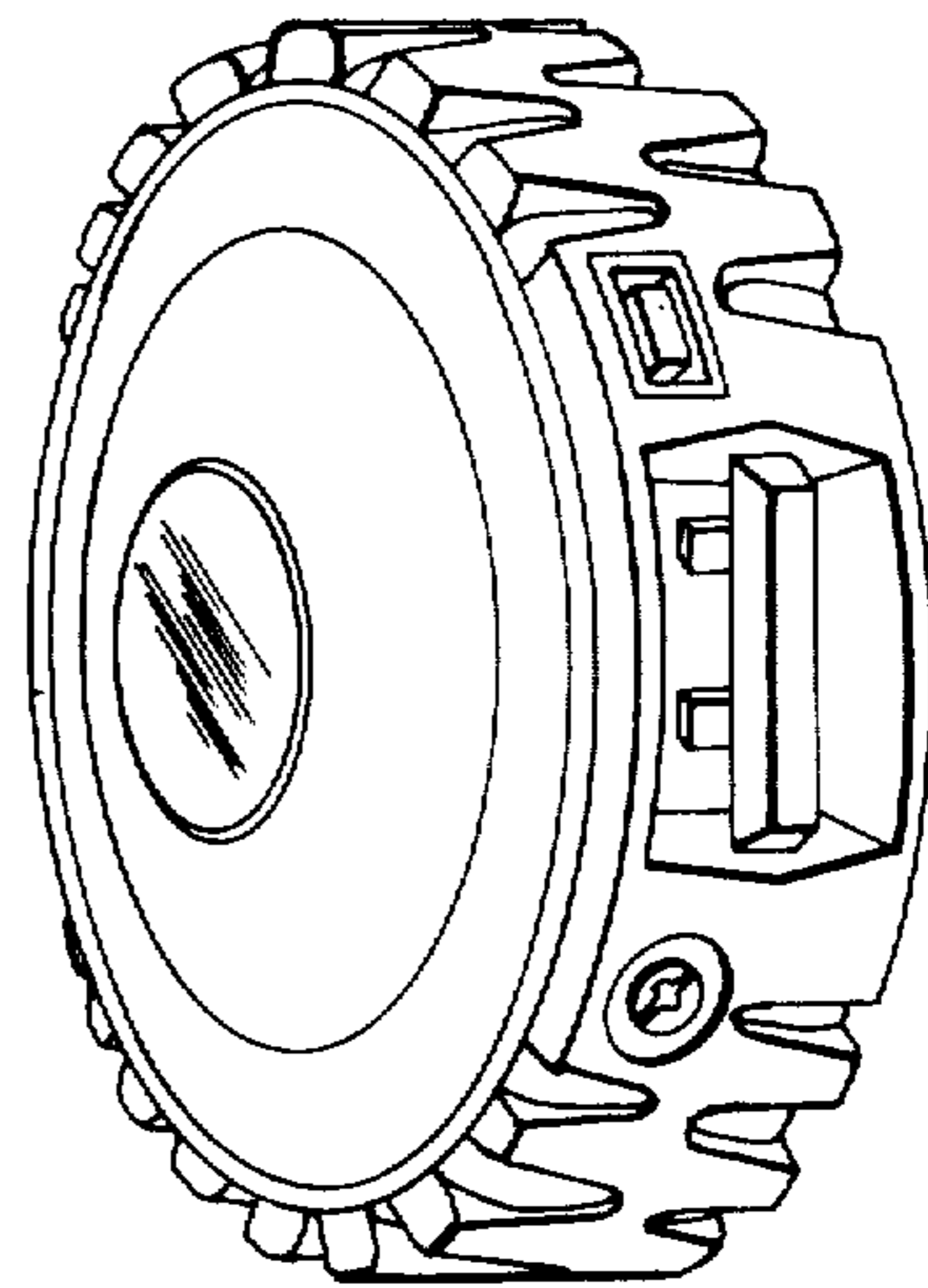


FIG. 4

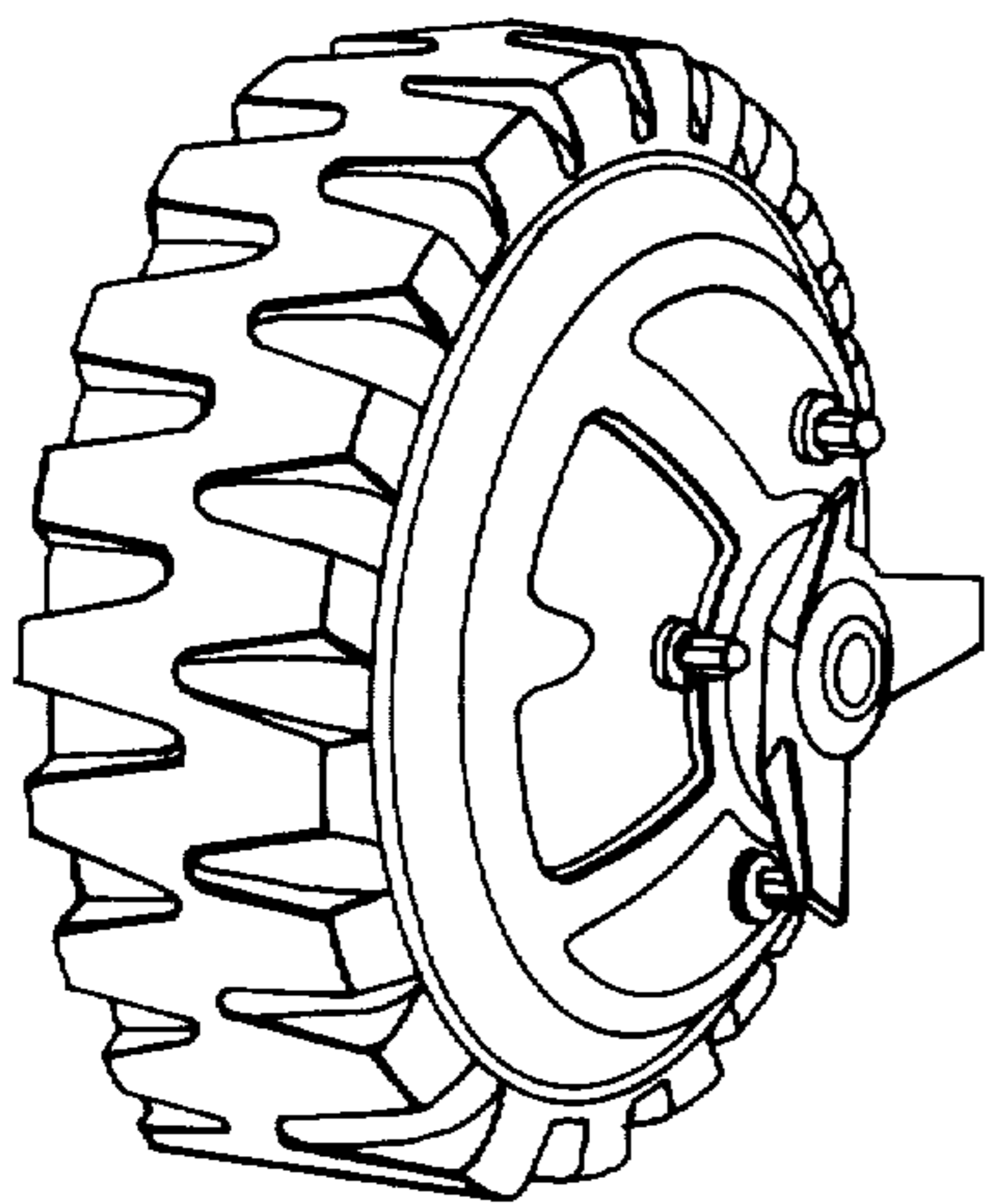


FIG. 2

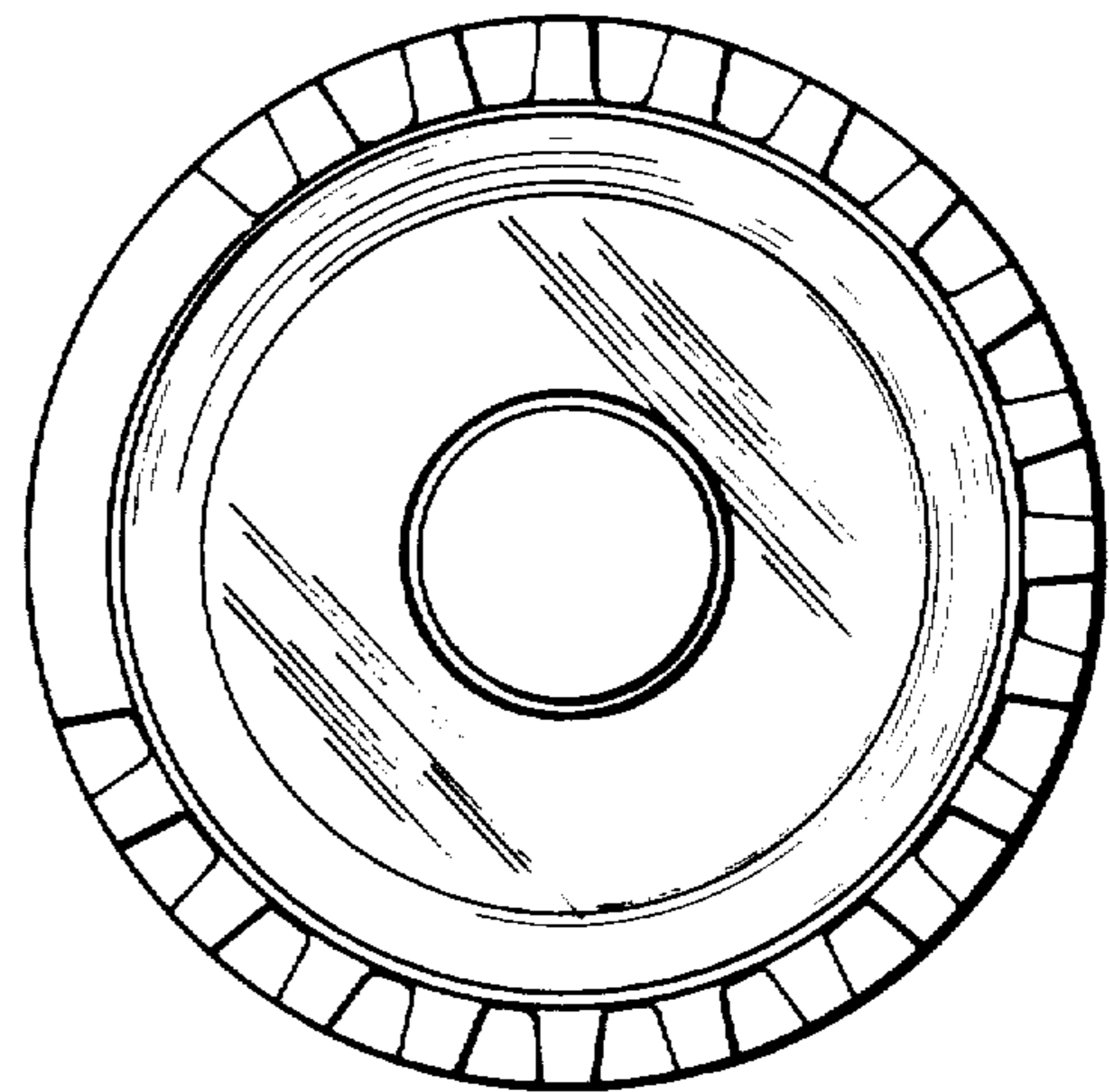


FIG. 3