

[54] LENS COVER FOR EMERGENCY WARNING LIGHT

[75] Inventors: Arnold O. Blaylock; Robert P. Falconer; Charles M. Campbell, all of Fort Worth, Tex.

[73] Assignee: Lectric Lites Company, Fort Worth, Tex.

[**] Term: 14 Years

[21] Appl. No.: 618,906

[22] Filed: Oct. 2, 1975

[51] Int. Cl. D26-06; D10-06

[52] U.S. Cl. D10/121

[58] Field of Search D48/32 R, 32 A; D10/114, 121; 240/7.1, 106, 106.1; 340/84, 87

[56] References Cited

U.S. PATENT DOCUMENTS

2,968,025	1/1961	Owens	340/87 X
3,242,329	3/1966	Abrams	240/7.1 R
D103,565	3/1937	Dover	D48/32 R

Primary Examiner—Susie J. Mercer
Attorney, Agent, or Firm—William T. Wofford

[57] CLAIM

The ornamental design for a lens cover for emergency warning light, as shown and described.

DESCRIPTION

FIG. 1 is a perspective view of a lens cover for emergency warning light embodying our new design, a fragmentary automobile and emergency warning light being shown in broken lines for illustrative purposes only.

FIG. 2 is a front view of said lens cover in enlarged scale.

FIG. 3 is a top view of said lens cover in enlarged scale.

FIG. 4 is a bottom view of said lens cover in enlarged scale.

FIG. 5 is a rear view of said lens cover in enlarged scale.

FIG. 6 is a side view as seen from the left side of said lens cover in enlarged scale.

FIG. 7 is a side view as seen from the right side of said lens cover in greatly enlarged scale.

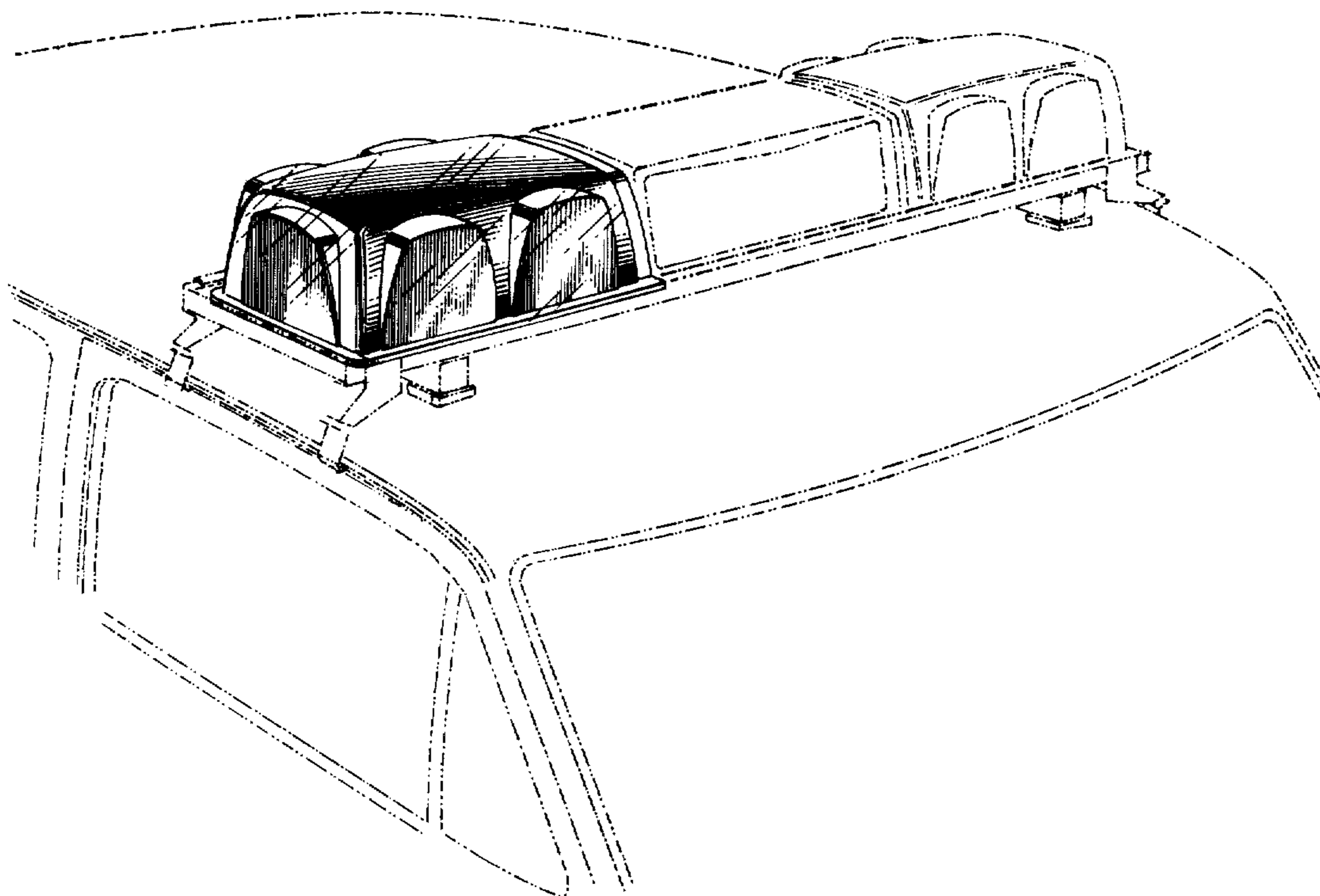


Fig. 1

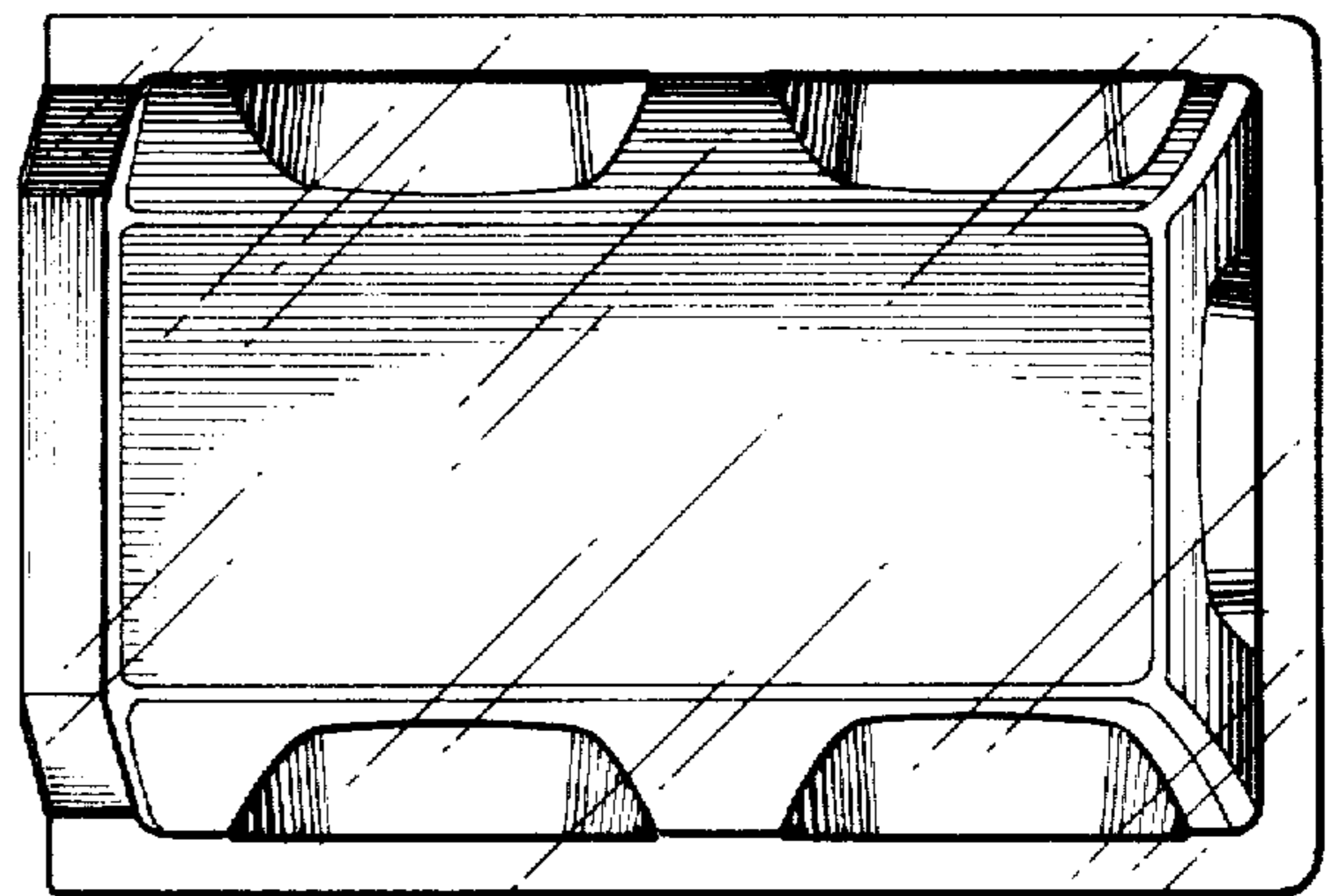
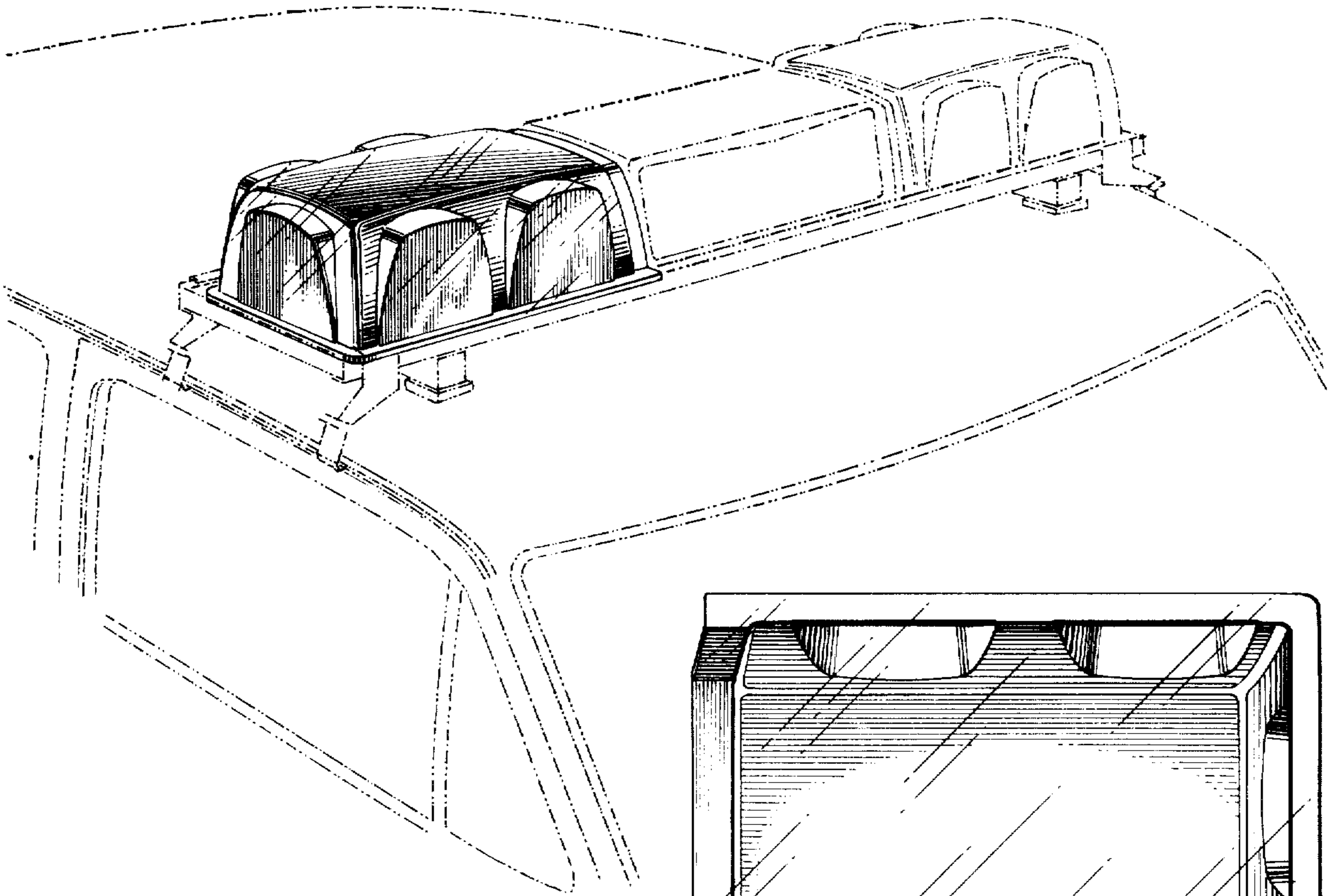


Fig. 4

Fig. 2

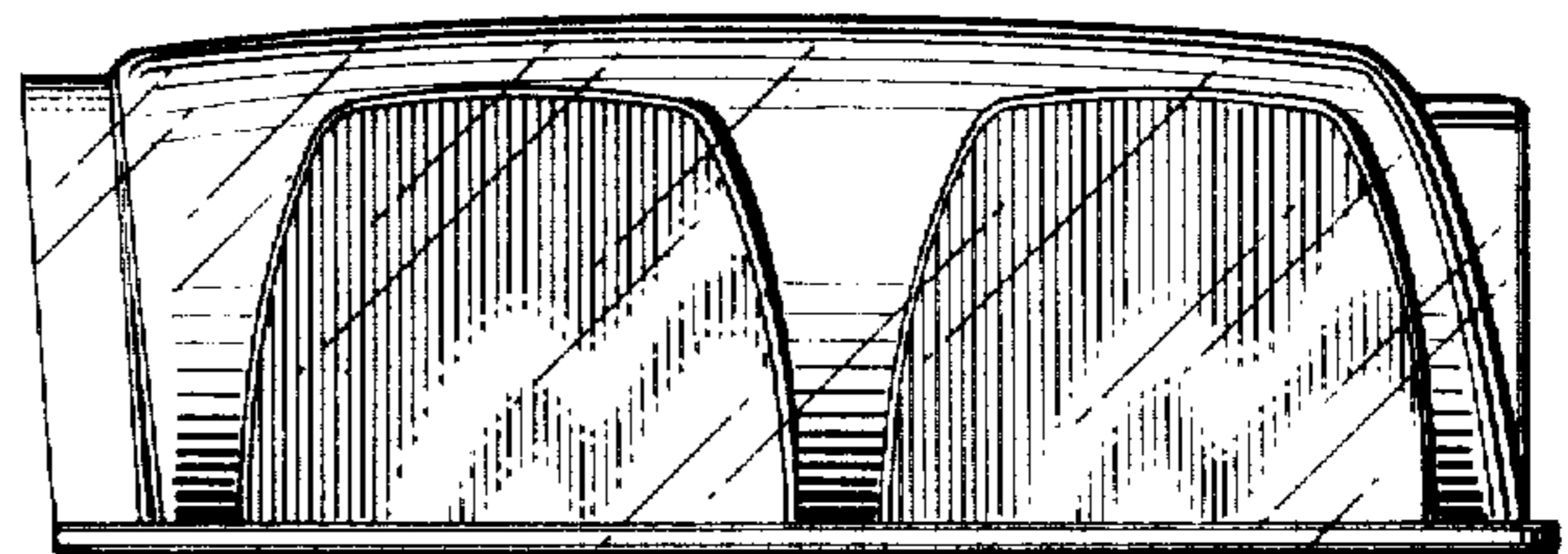
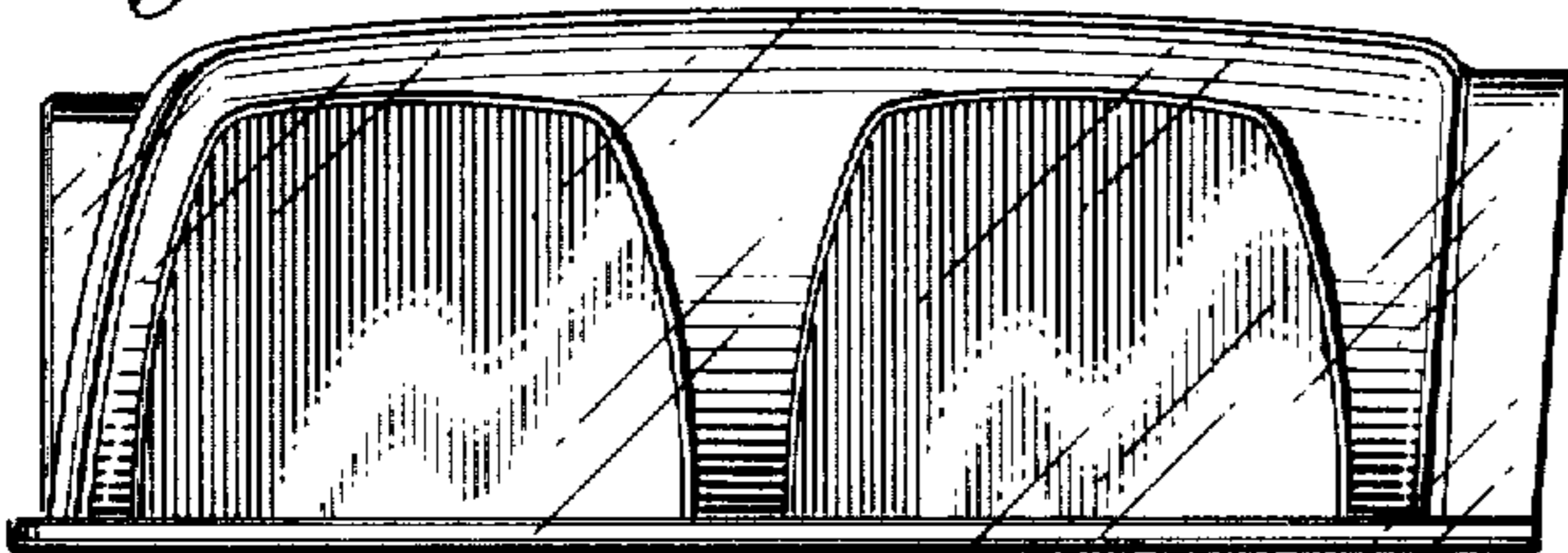


Fig. 5

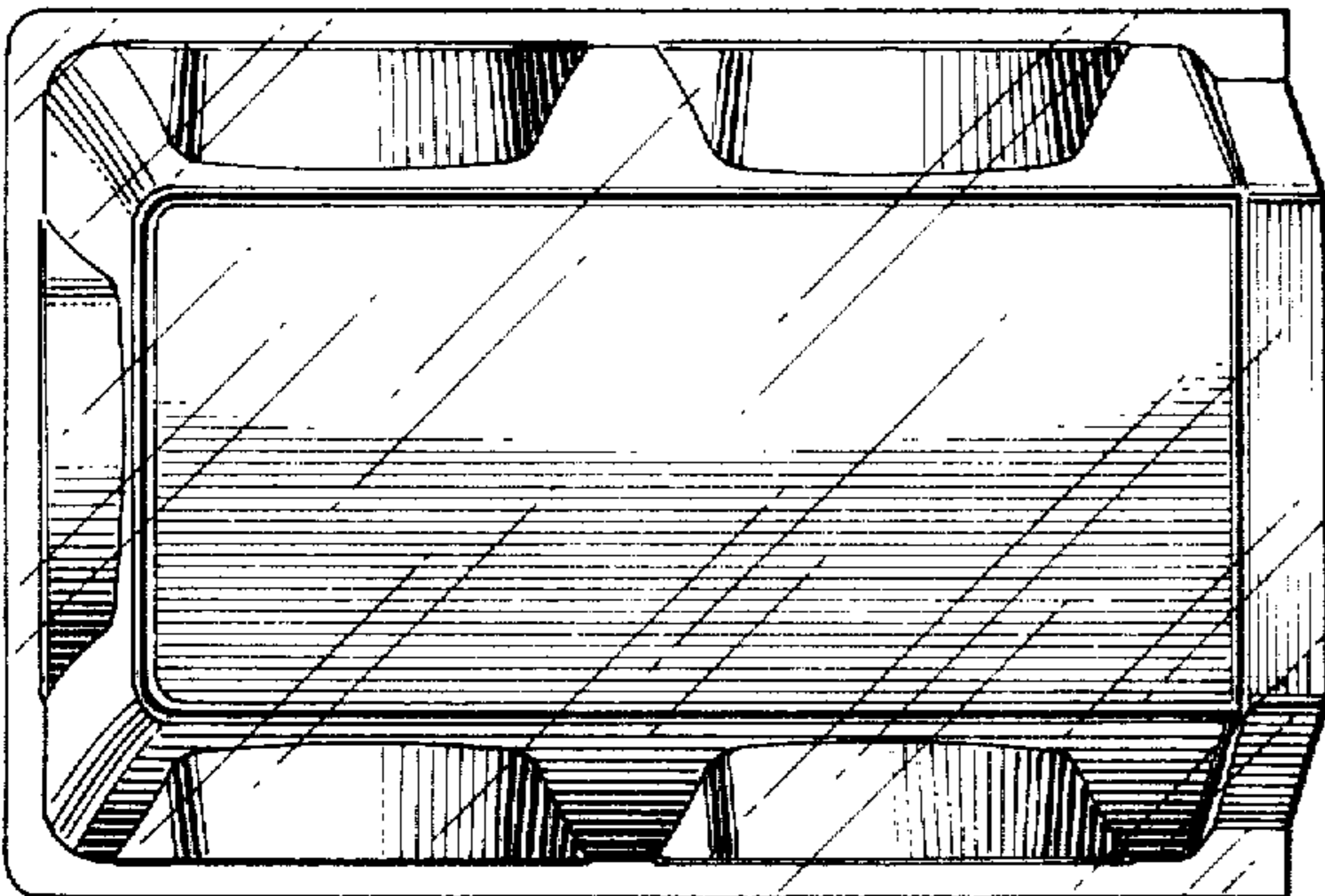


Fig. 3

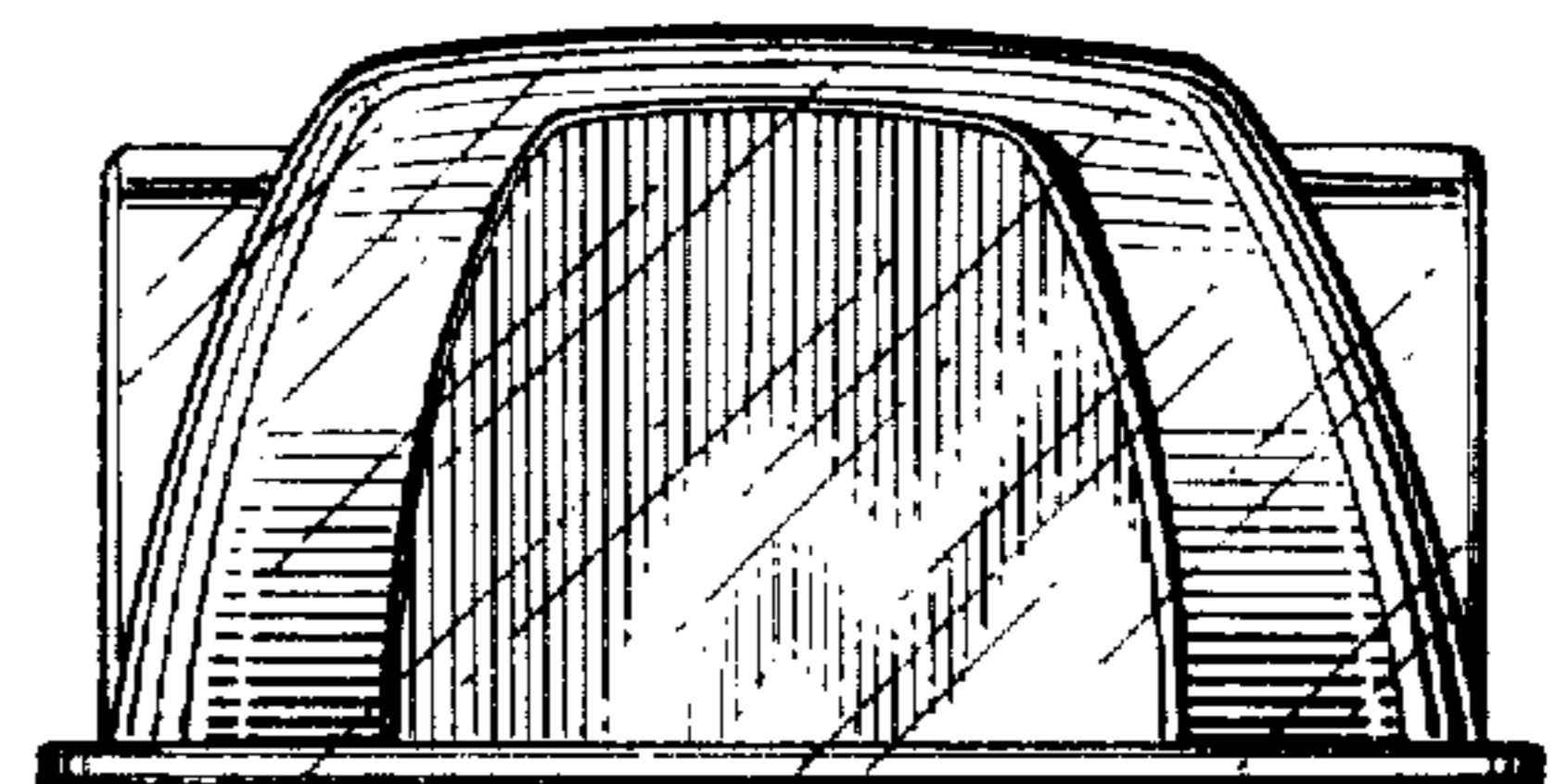


Fig. 6

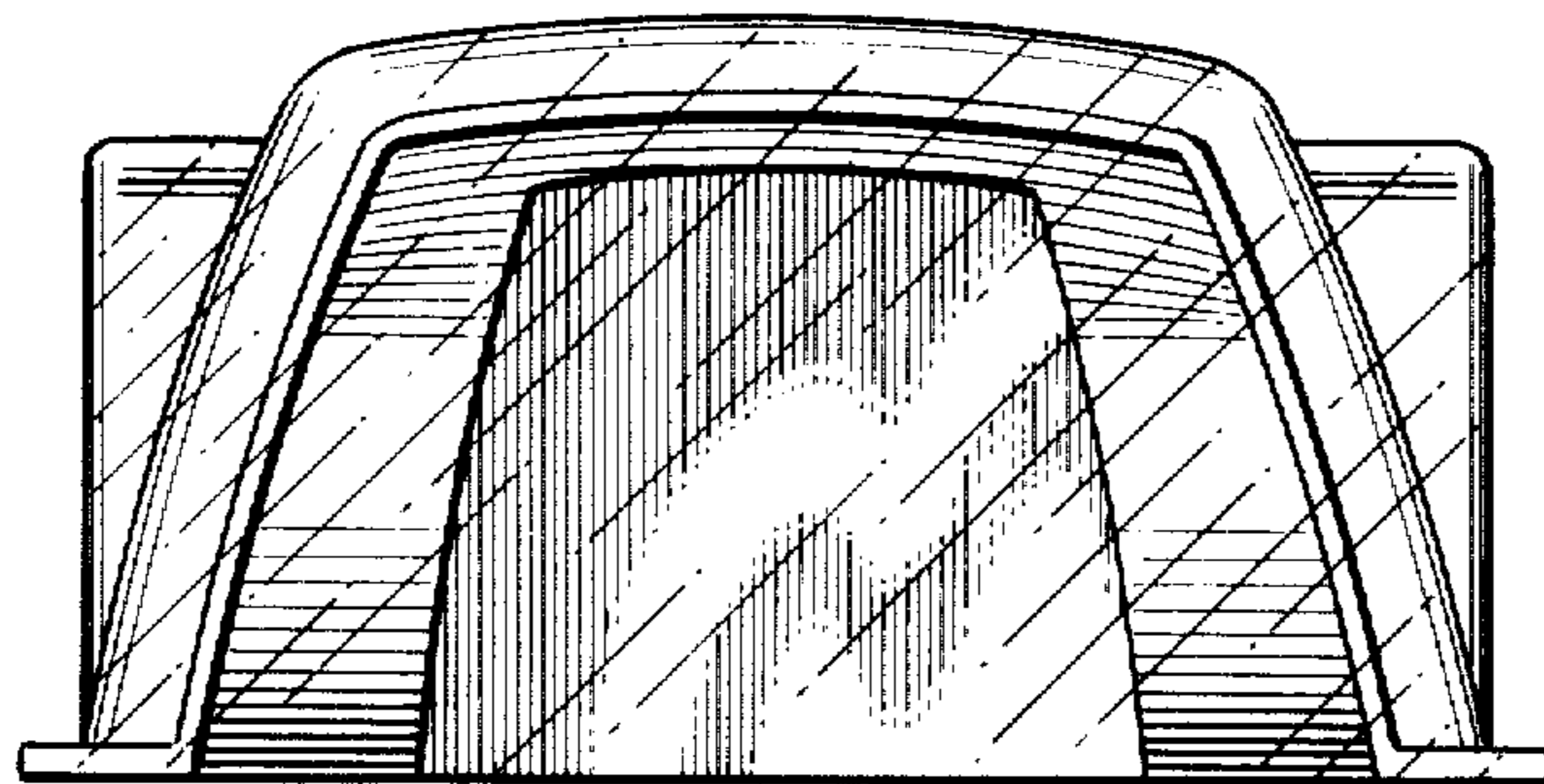


Fig.7