

[54] MULTI-UNIT, INDIVIDUALLY
REMOVABLE, FOOD DISPENSING
PACKAGE

2,476,774 7/1949 Sears 206/466 X
3,294,224 12/1966 Horwitz D9/191 X
3,318,444 5/1967 Weicher et al. D9/191 X

[75] Inventors: Oscar E. Seiferth; Paul E. Grindrod;
Robert L. Goller, all of Madison;
Harry L. Radloff, Sun Prairie, all of
Wis.

Primary Examiner—Robert C. Spangler
Attorney, Agent, or Firm—Thomas A. Hodge

[73] Assignee: Oscar Mayer & Co. Inc.

[**] Term: 14 Years

[21] Appl. No.: 585,236

[22] Filed: June 9, 1975

[51] Int. Cl. D9-03

[52] U.S. Cl. D9/191

[58] Field of Search 206/461-473,
206/497-498, 801, 45.31-45.34; D9/182,
184, 191, 192

[57] CLAIM

The ornamental design for a multi-unit, individually removable, food dispensing package, as shown and described.

DESCRIPTION

FIG. 1 is a front perspective view of a multi-unit, individually removable, food dispensing package embodying our new design.

FIG. 2 is a front elevational view on a reduced scale from that of FIG. 1;

FIG. 3 is a rear elevational view thereof;

FIG. 4 is a side elevational view on a scale larger than that of FIGS. 2 and 3 but smaller than that of FIG. 1;

FIG. 5 is a top plan view thereof; and

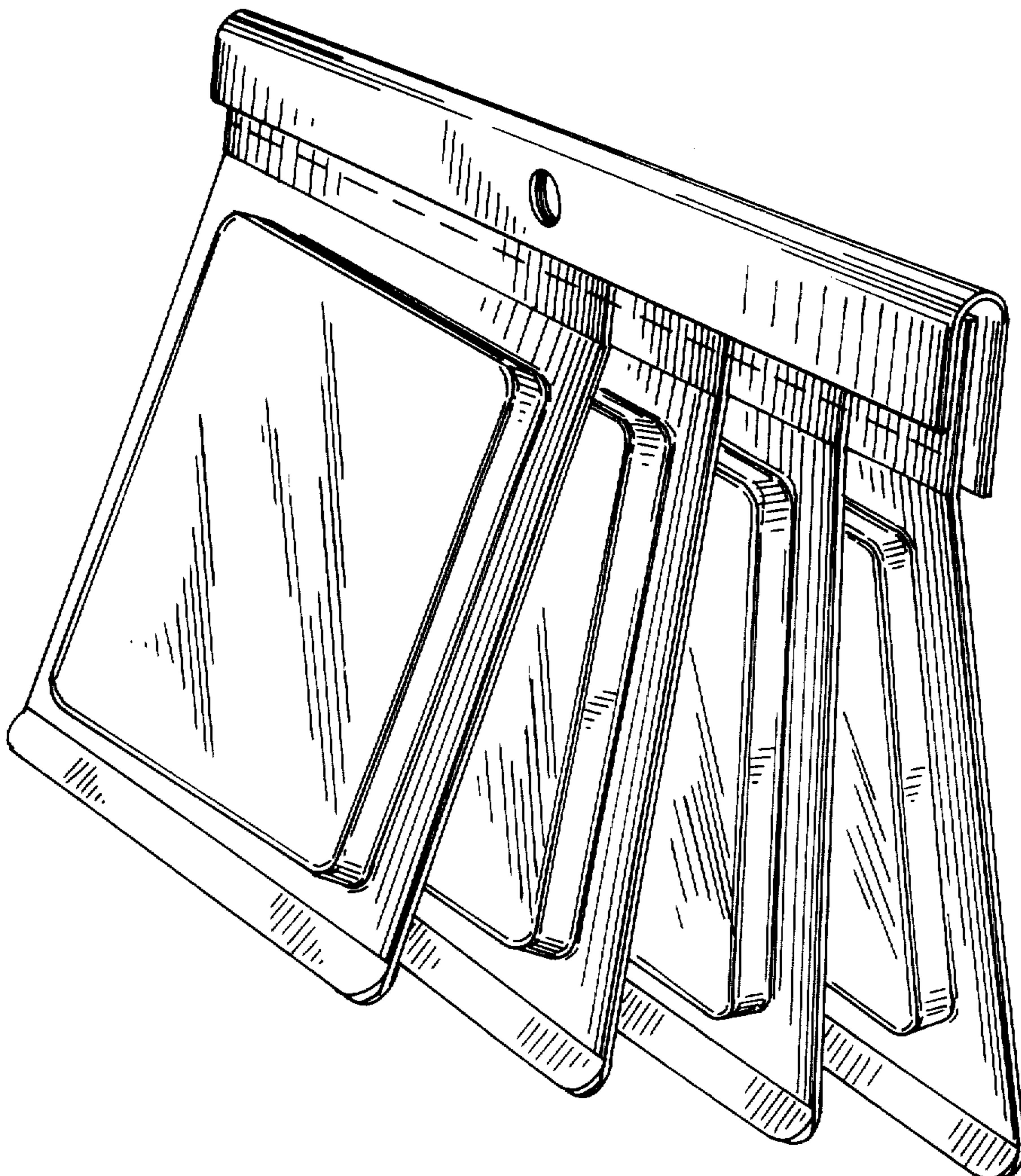
FIG. 6 is a bottom plan view thereof.

The dash lines in FIGS. 1 and 2 represent score lines.

[56] References Cited

U.S. PATENT DOCUMENTS

1,940,078 12/1933 Cooper 206/466 X



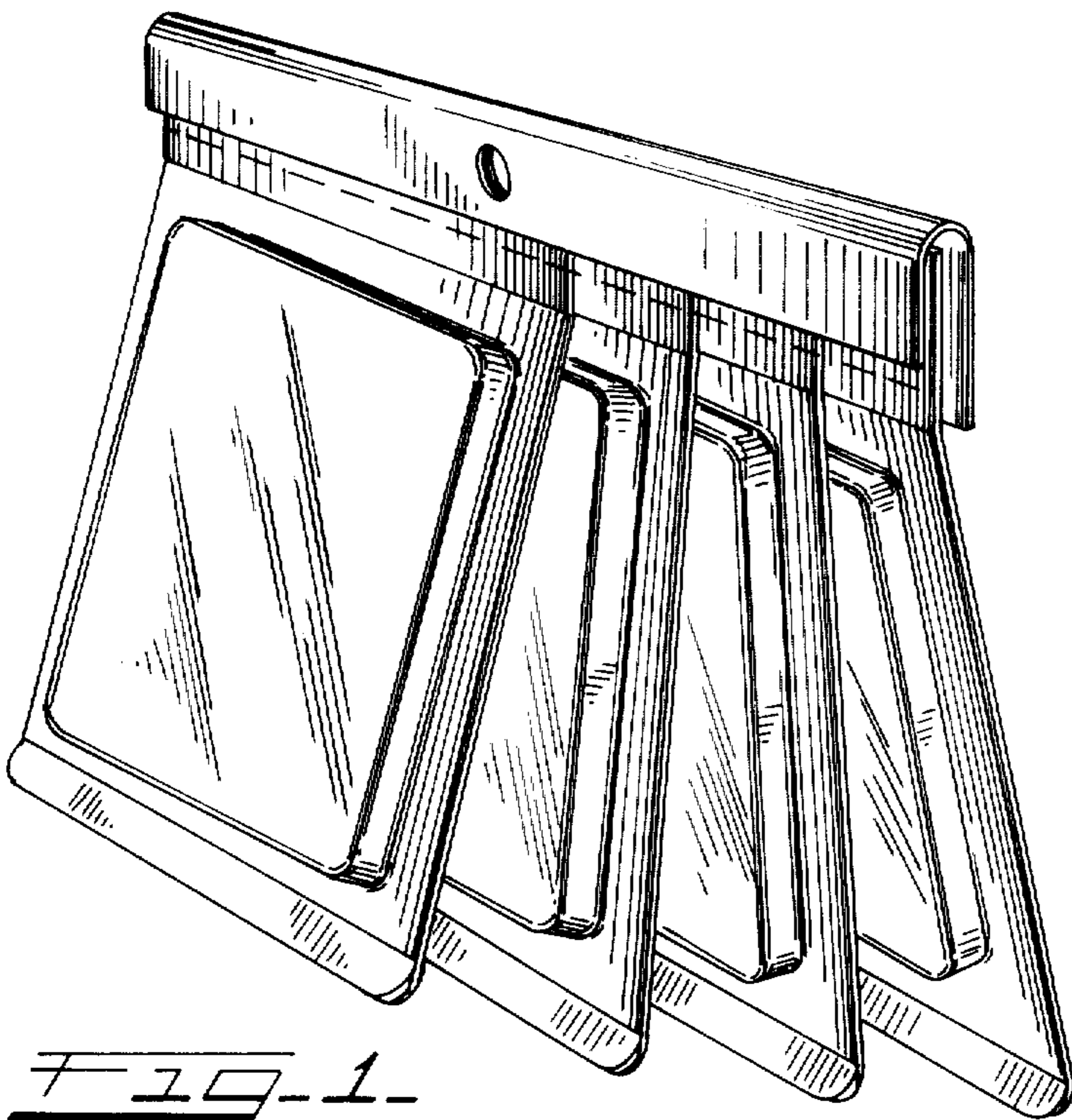


FIG. 1.

FIG. 2.

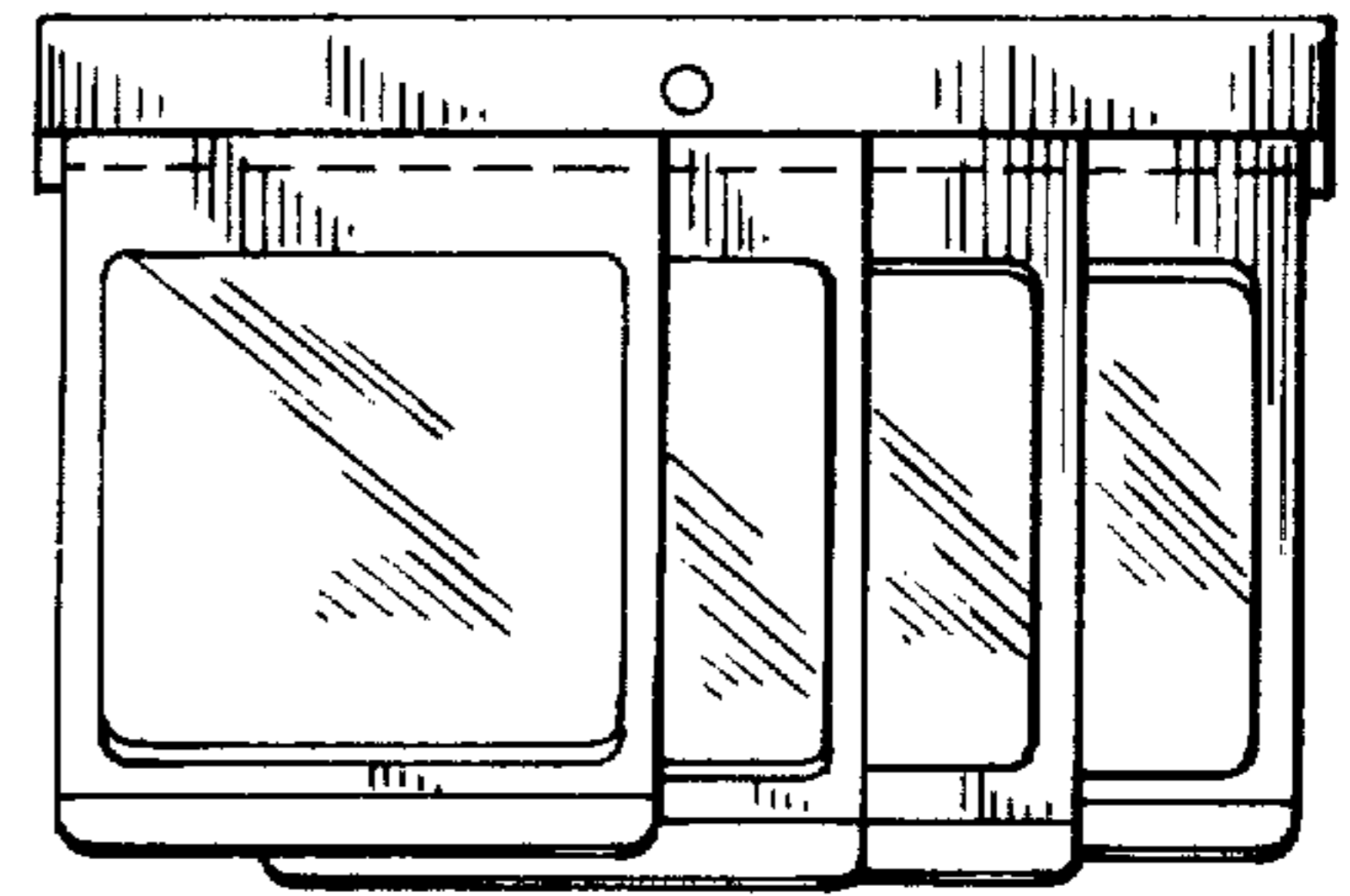


FIG. 3.

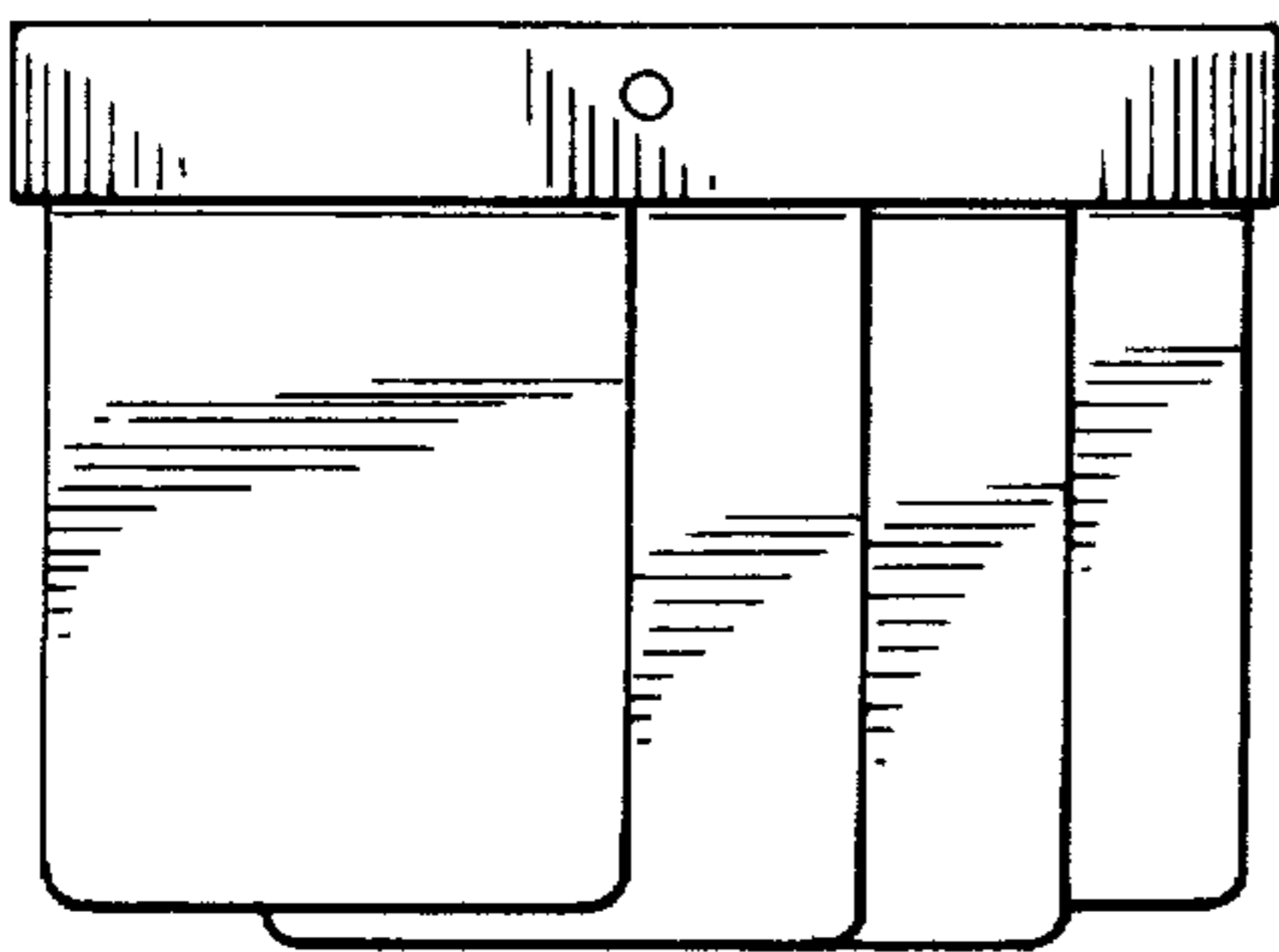


FIG. 5.

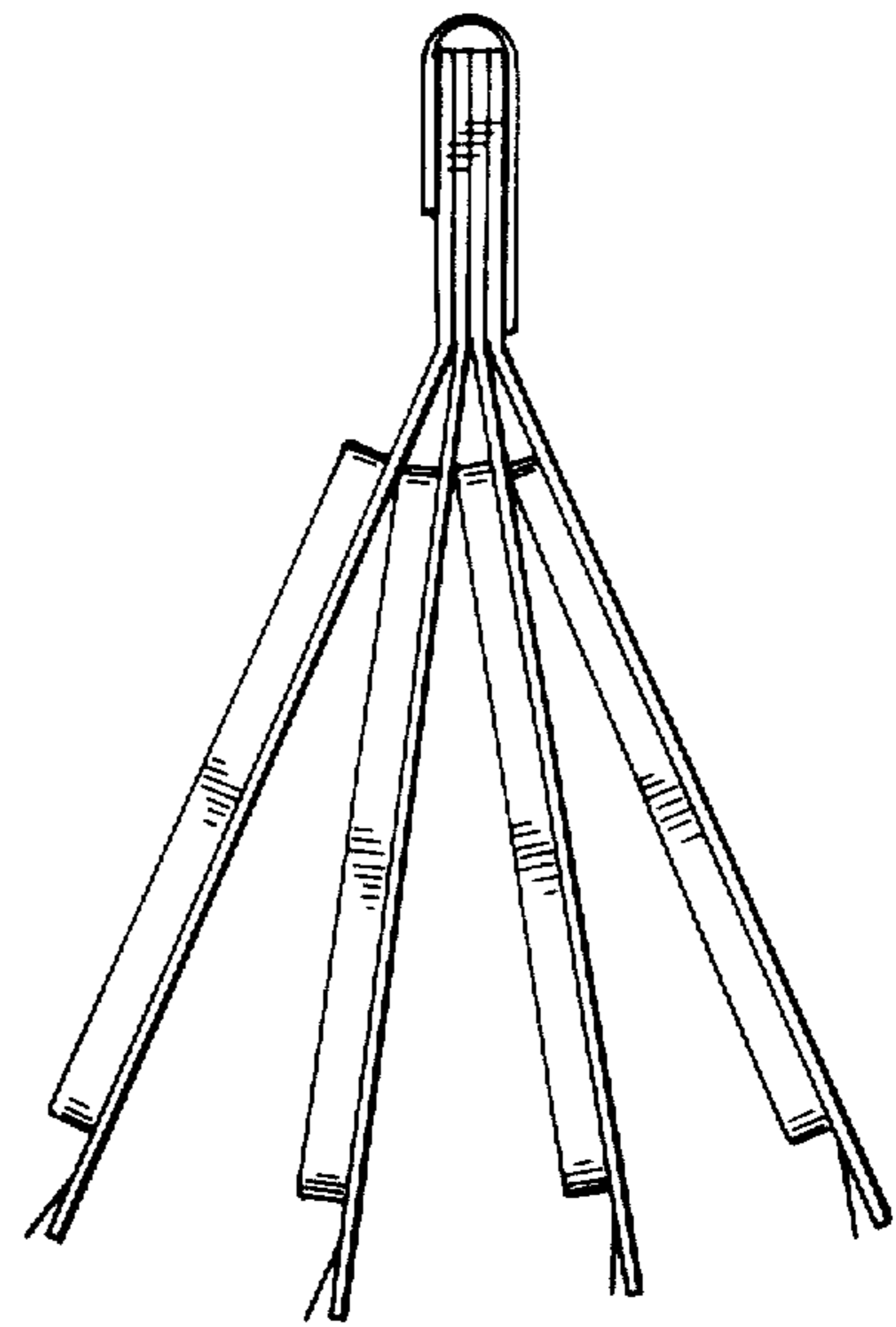
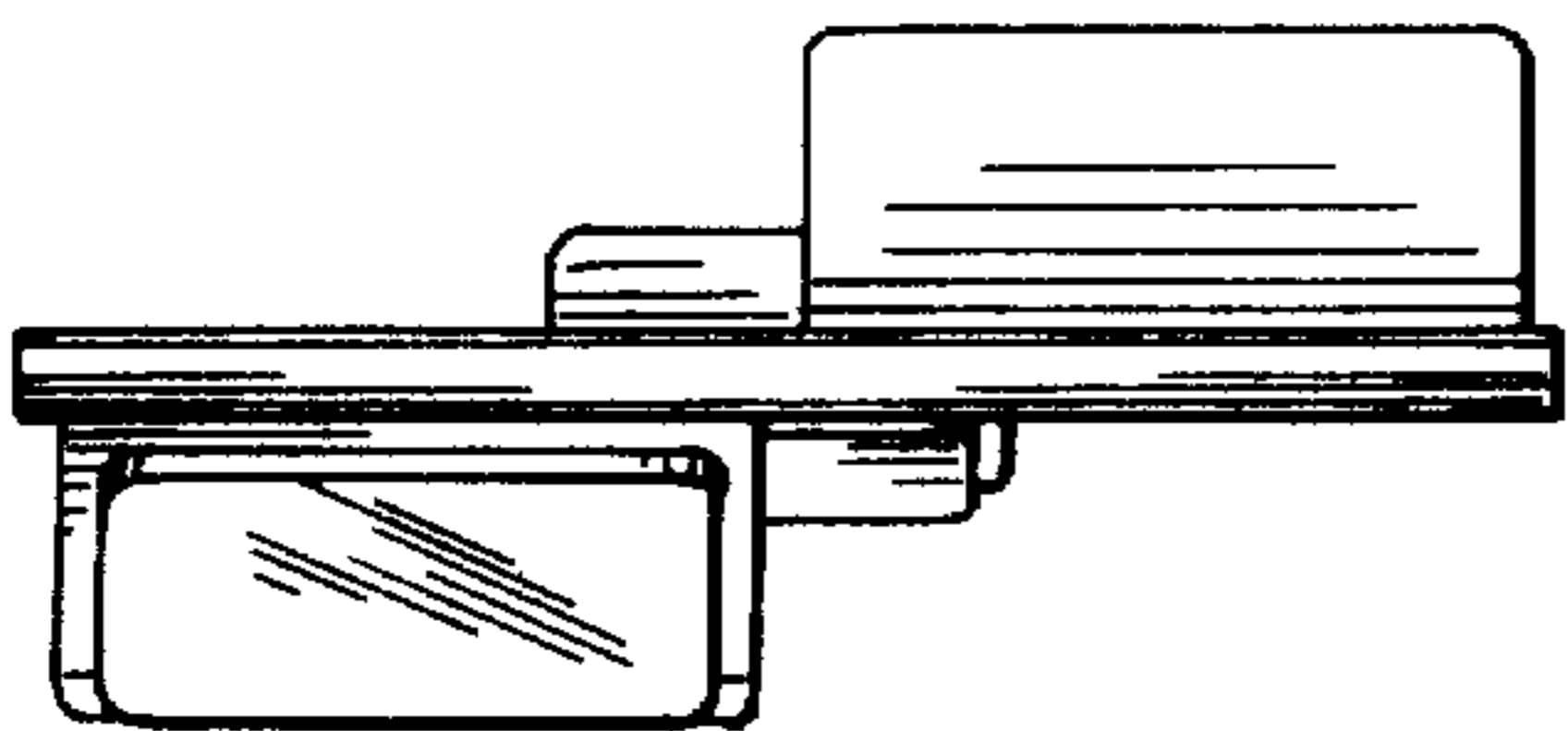


FIG. 4.

FIG. 6.

