

[54] SPANNER BEAM HANGER

[76] Inventor: Stanley Barber, 3310 S. 27th St., Fort Smith, Ark. 72901

[**] Term: 14 Years

[21] Appl. No.: 595,068

[22] Filed: July 11, 1975

Related U.S. Application Data

[63] Continuation of Ser. No. D. 444,270, Feb. 21, 1974.

[51] Int. Cl. D8-08

[52] U.S. Cl. D8/235

[58] Field of Search D8/229, 235; 248/72, 248/228

[56] References Cited

U.S. PATENT DOCUMENTS

R24,127 3/1956 Binns et al. 248/228

Primary Examiner—William N. Wertman
Attorney, Agent, or Firm—Joseph B. Bowman

[57] CLAIM

The ornamental design for a spanner beam hanger, as shown and described.

DESCRIPTION

FIG. 1 is a perspective view of a spanner beam hanger showing my new design, the broken line portion of the view representing the end of a beam for illustrative purposes only;

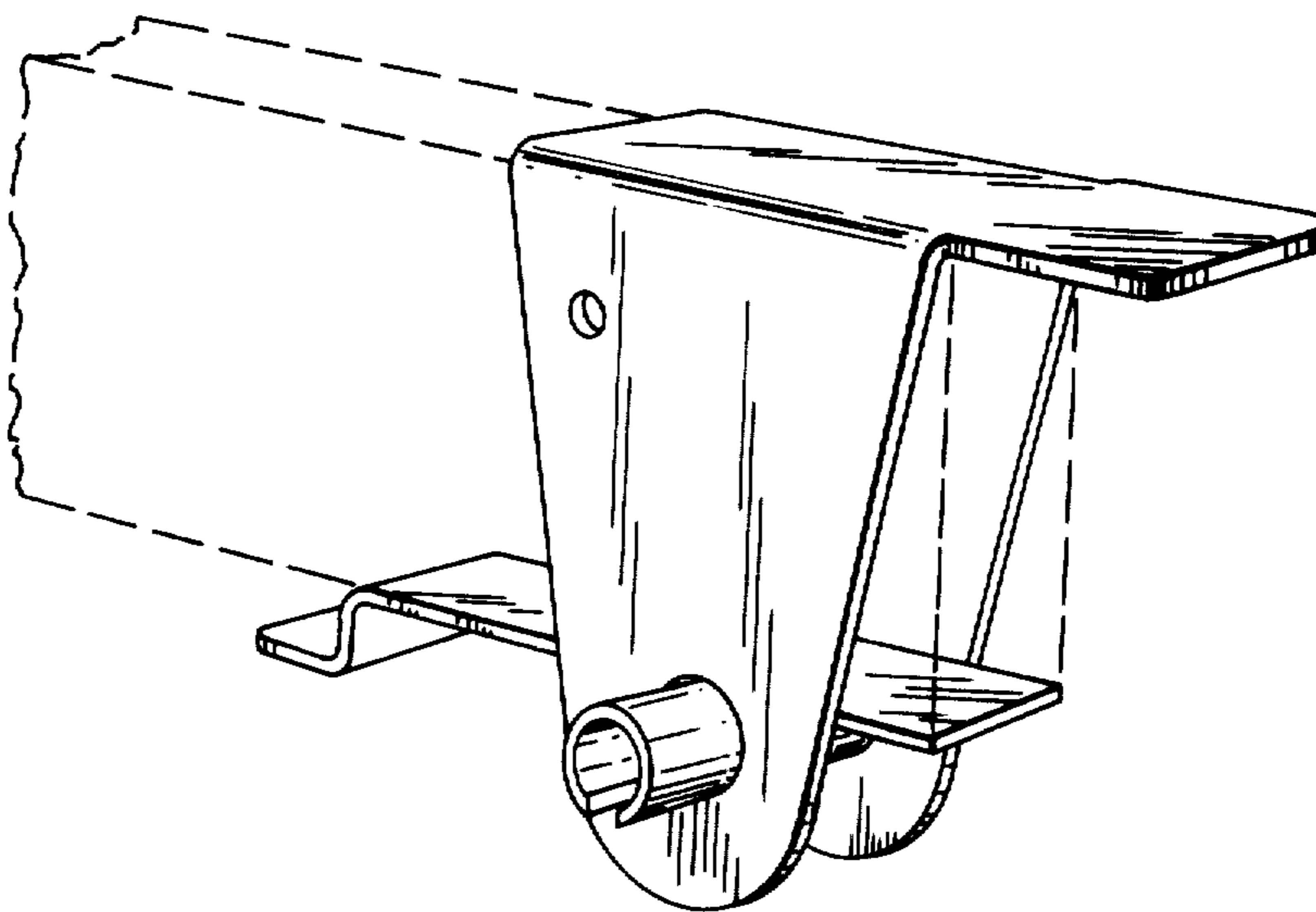
FIG. 2 is a front elevational view of the hanger;

FIG. 3 is a side elevational view of the hanger;

FIG. 4 is a rear elevational view of the hanger;

FIG. 5 is a top plan view of the hanger; and

FIG. 6 is a bottom plan view of the hanger.



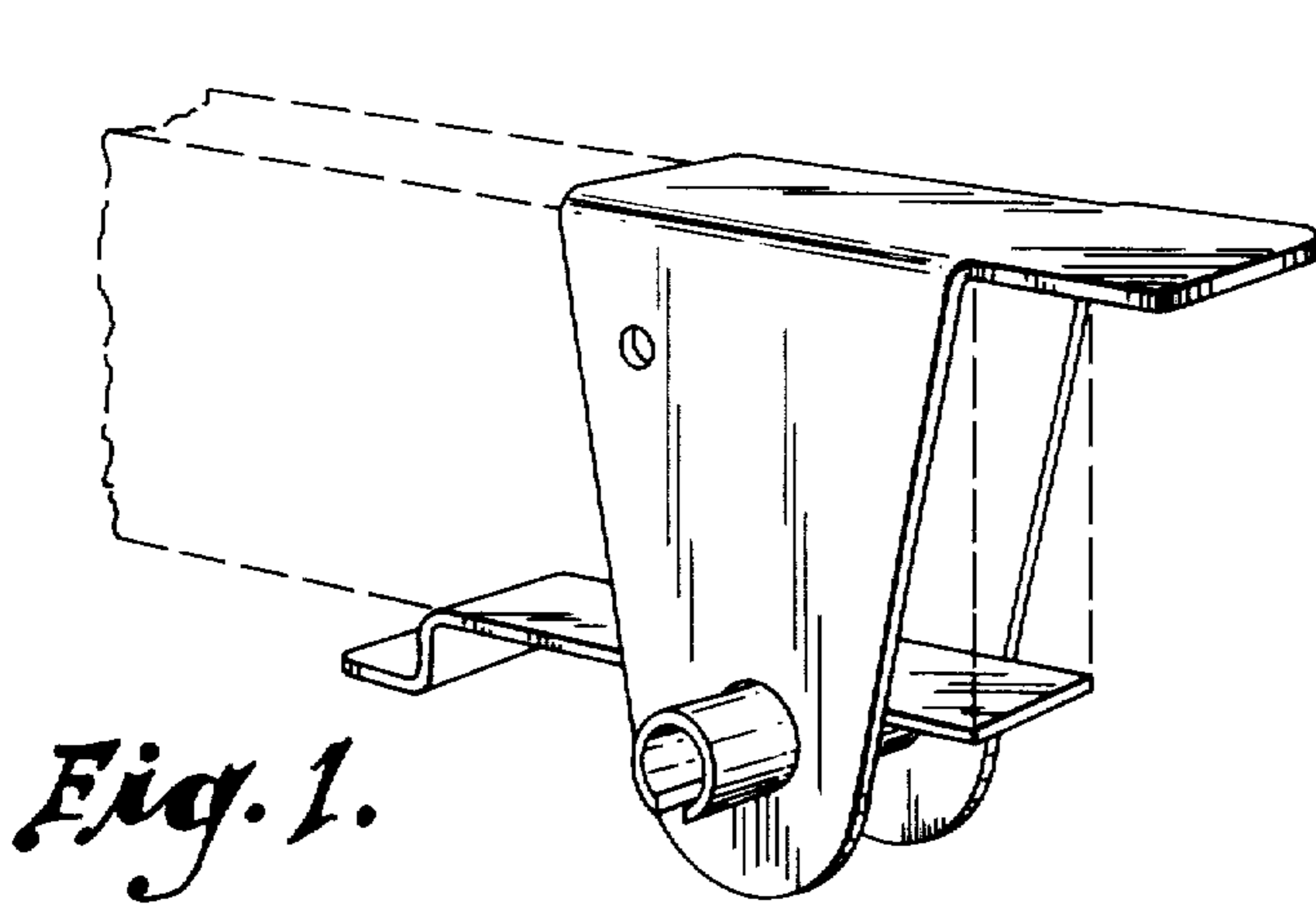


Fig. 1.

Fig. 2.

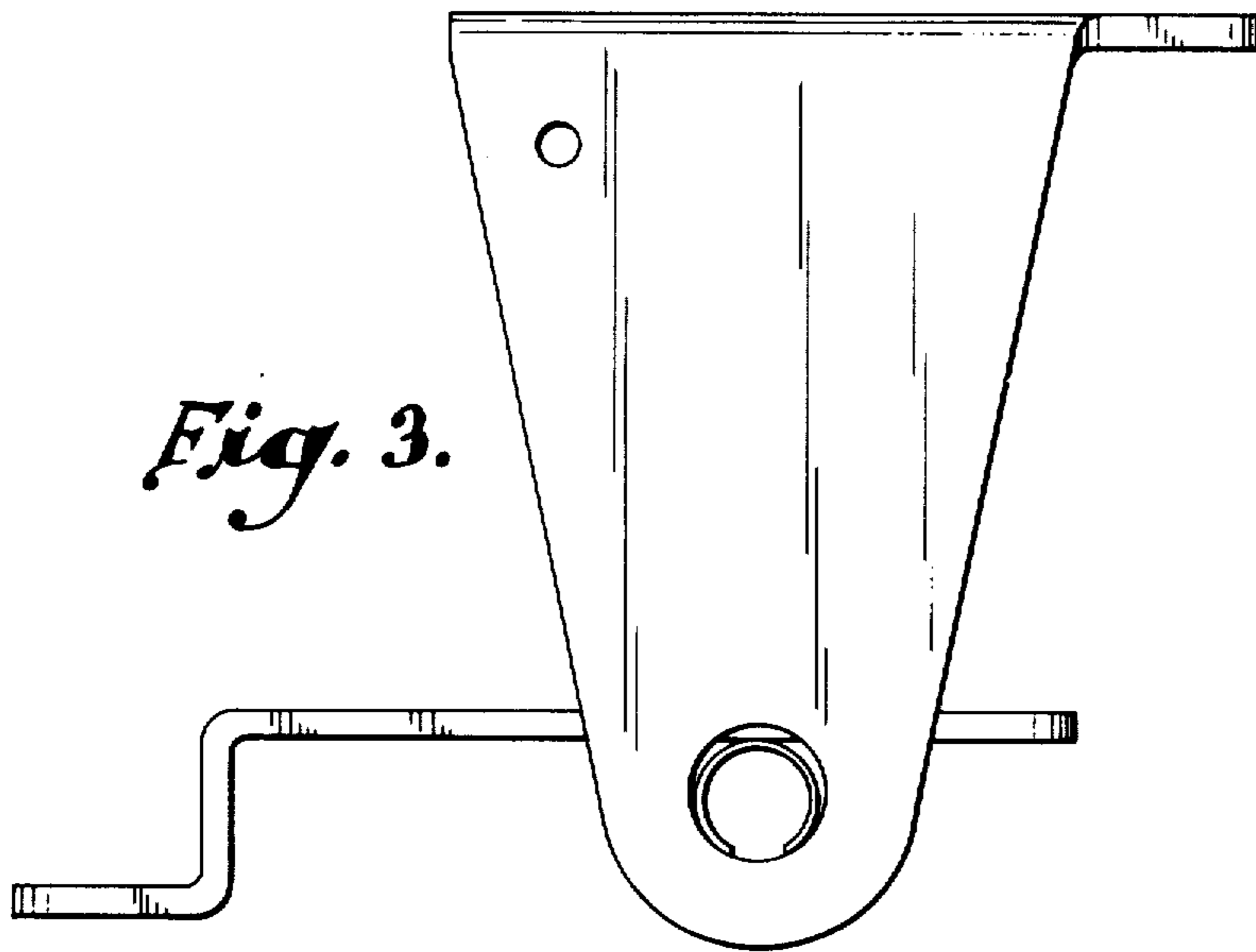
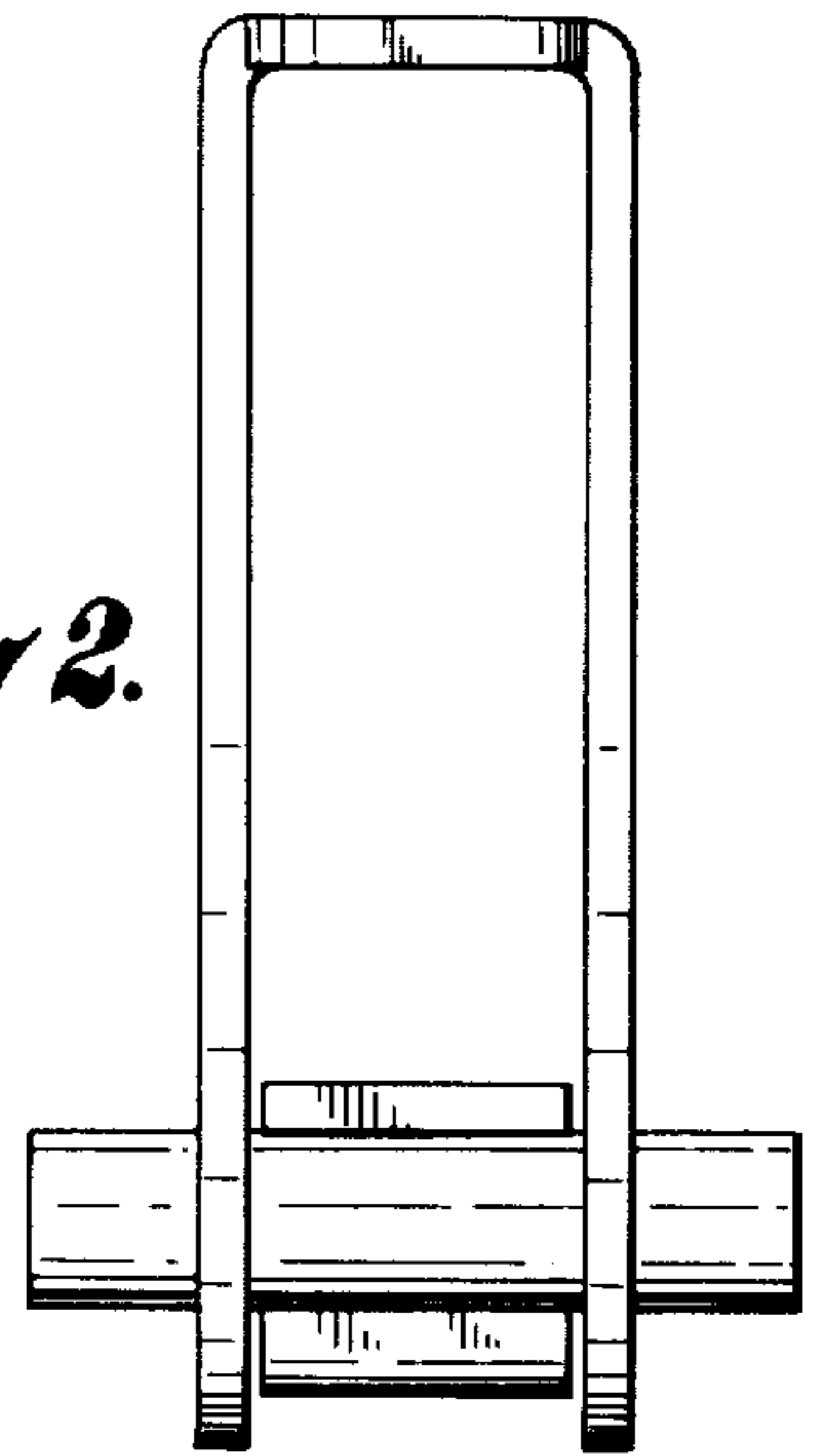


Fig. 3.

Fig. 4.

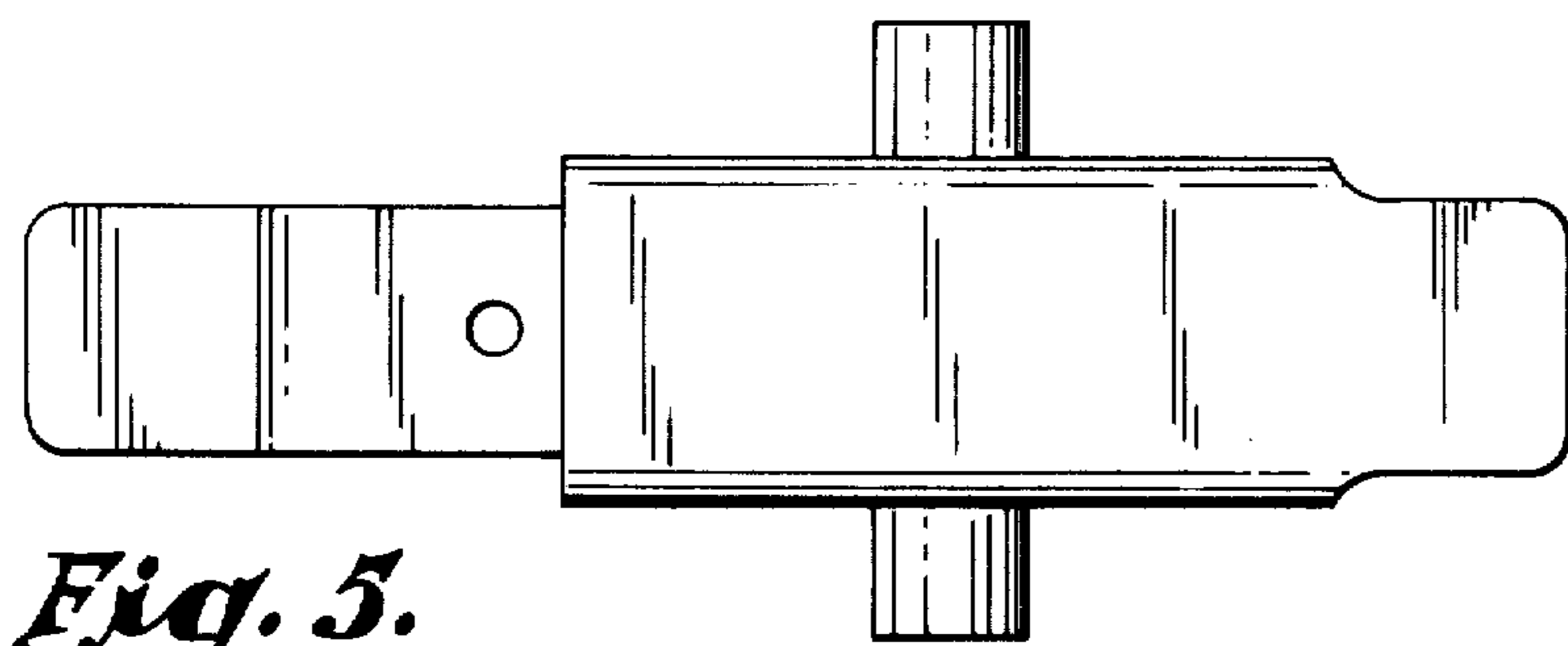
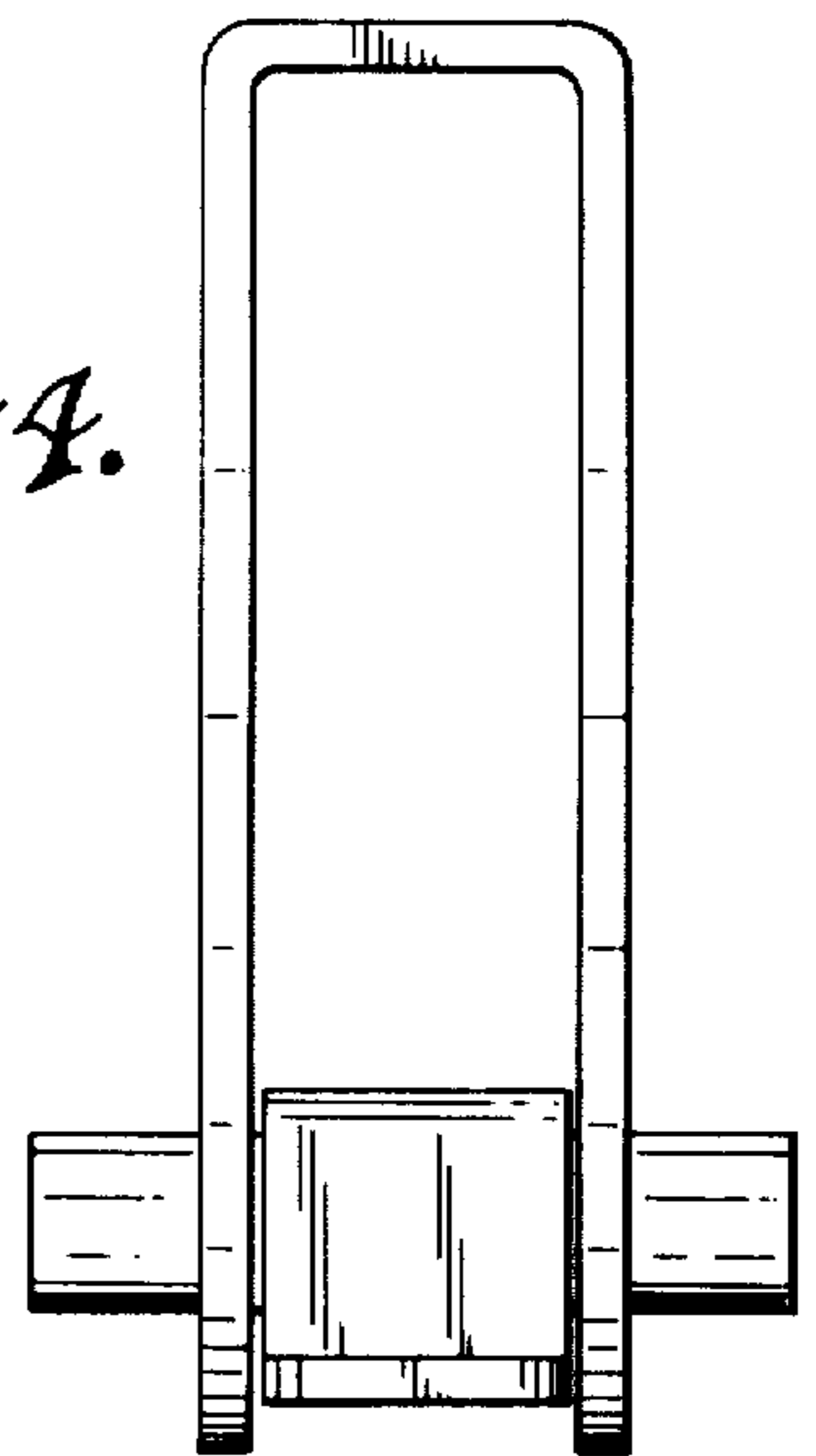


Fig. 5.

Fig. 6.

