

[54] **SPRINKLER HEAD GRASS TRIMMER**

[75] Inventor: **Kenneth W. Harris**, San Antonio, Tex.

[73] Assignees: **Allan E. Harris**, Austin; **Roger T. Harris**, Plano; **Philip W. Eckman**, San Antonio, all of Tex.

[**] Term: **14 Years**

[21] Appl. No.: **571,608**

[22] Filed: **Apr. 25, 1975**

[51] Int. Cl. **D8-3**

[52] U.S. Cl. **D8/8**

[58] Field of Search **D35/1, 2 R; D8/7, 8, D8/66, 70; 299/55, 60, 61, 79; 30/264, 347, 286, 287, 263**

[56] **References Cited**

U.S. PATENT DOCUMENTS

2,583,113	1/1952	Mogel	30/287 X
2,733,100	1/1956	Simonsen	30/287
2,764,926	10/1956	Heimbigner	30/286 X

3,174,224	3/1965	Rousselet	30/264
3,357,103	12/1967	Sturlaugson	30/264 X
3,555,680	1/1971	Ford	30/287 X
3,747,213	7/1973	Green et al.	30/287 X
3,747,219	7/1973	Bohlman	30/287 X

Primary Examiner—Wallace R. Burke

Assistant Examiner—Larry Jones

Attorney, Agent, or Firm—Donald R. Comuzzi

[57] **CLAIM**

The ornamental design for a sprinkler head grass trimmer, as shown.

DESCRIPTION

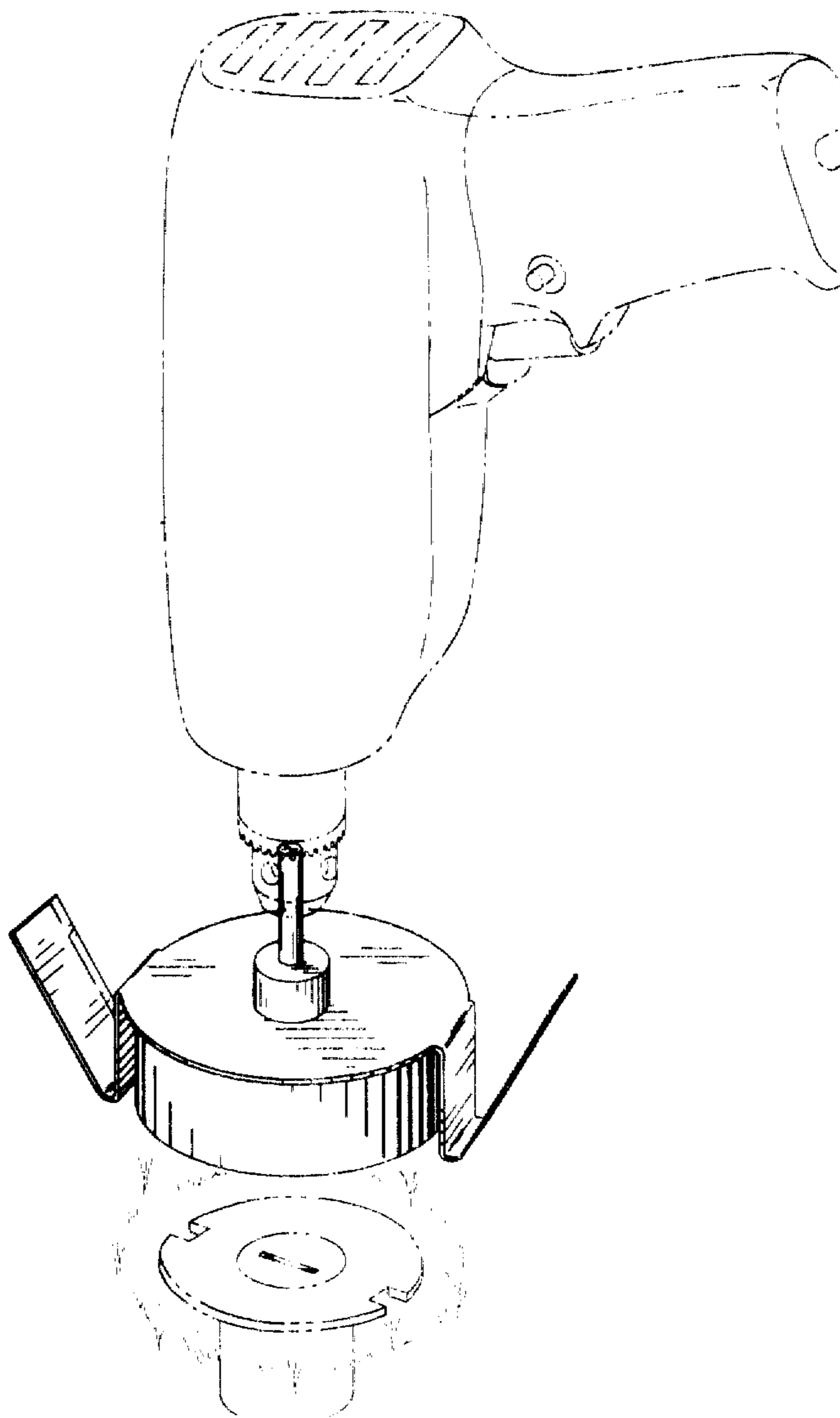
FIG. 1 is a top perspective view of the sprinkler head grass trimmer. The broken line structures are for illustrative purposes only and form no part of my design.

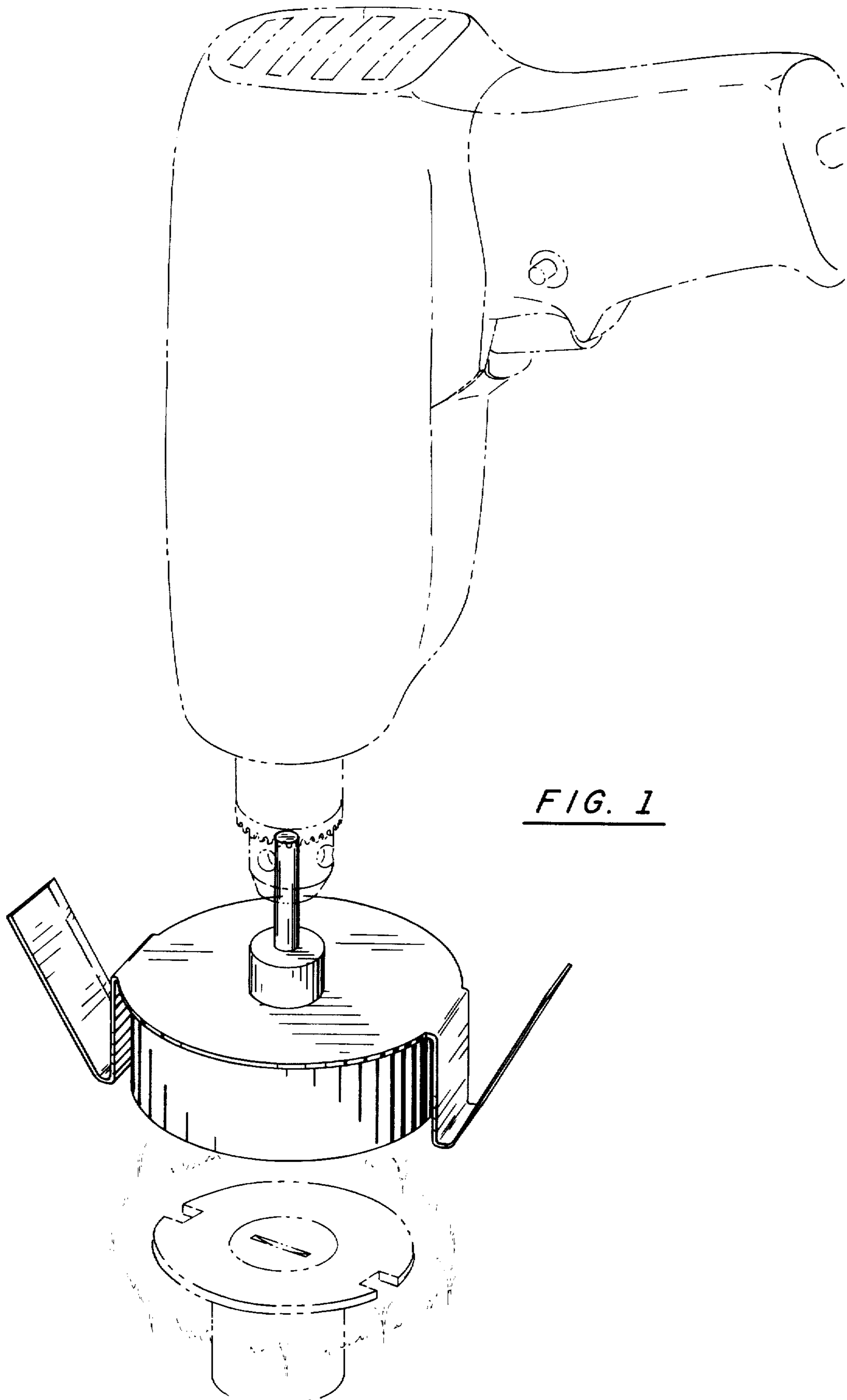
FIG. 2 is a bottom perspective view thereof.

FIG. 3 is a top plan view thereof.

FIG. 4 is a side elevational view thereof.

FIG. 5 is a side elevational view rotated approximately 90° with respect to FIG. 4.





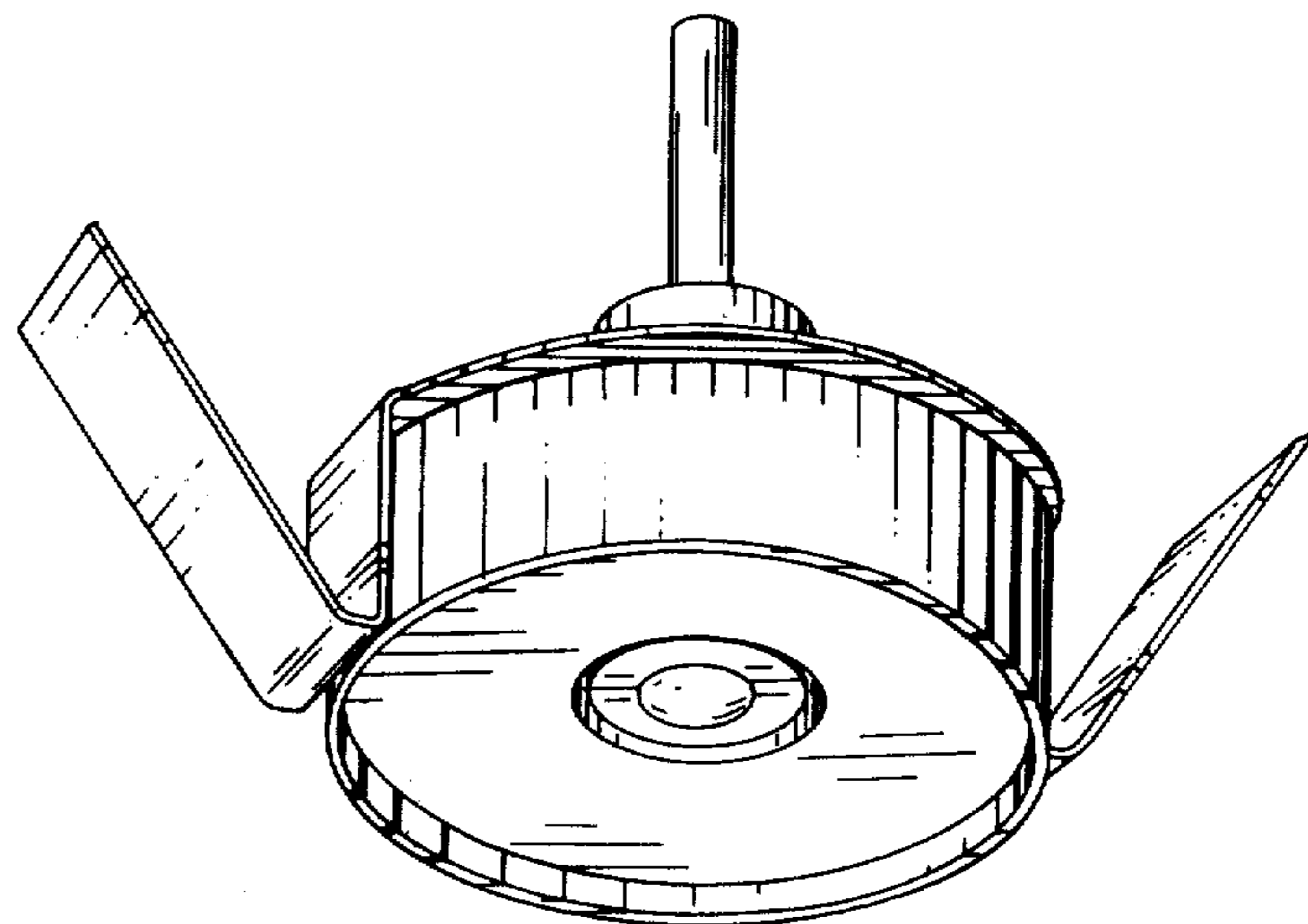


FIG. 2

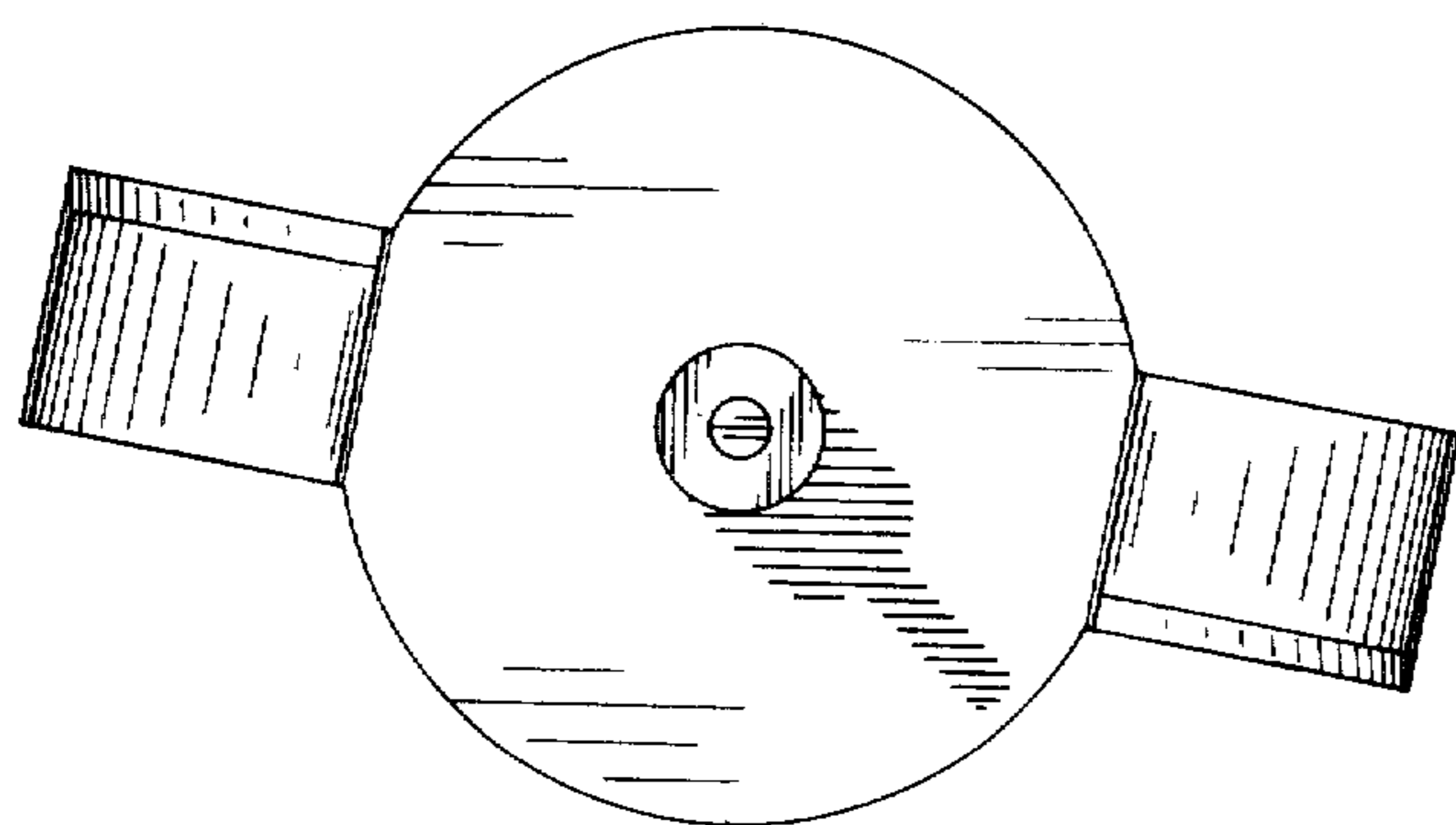


FIG. 3

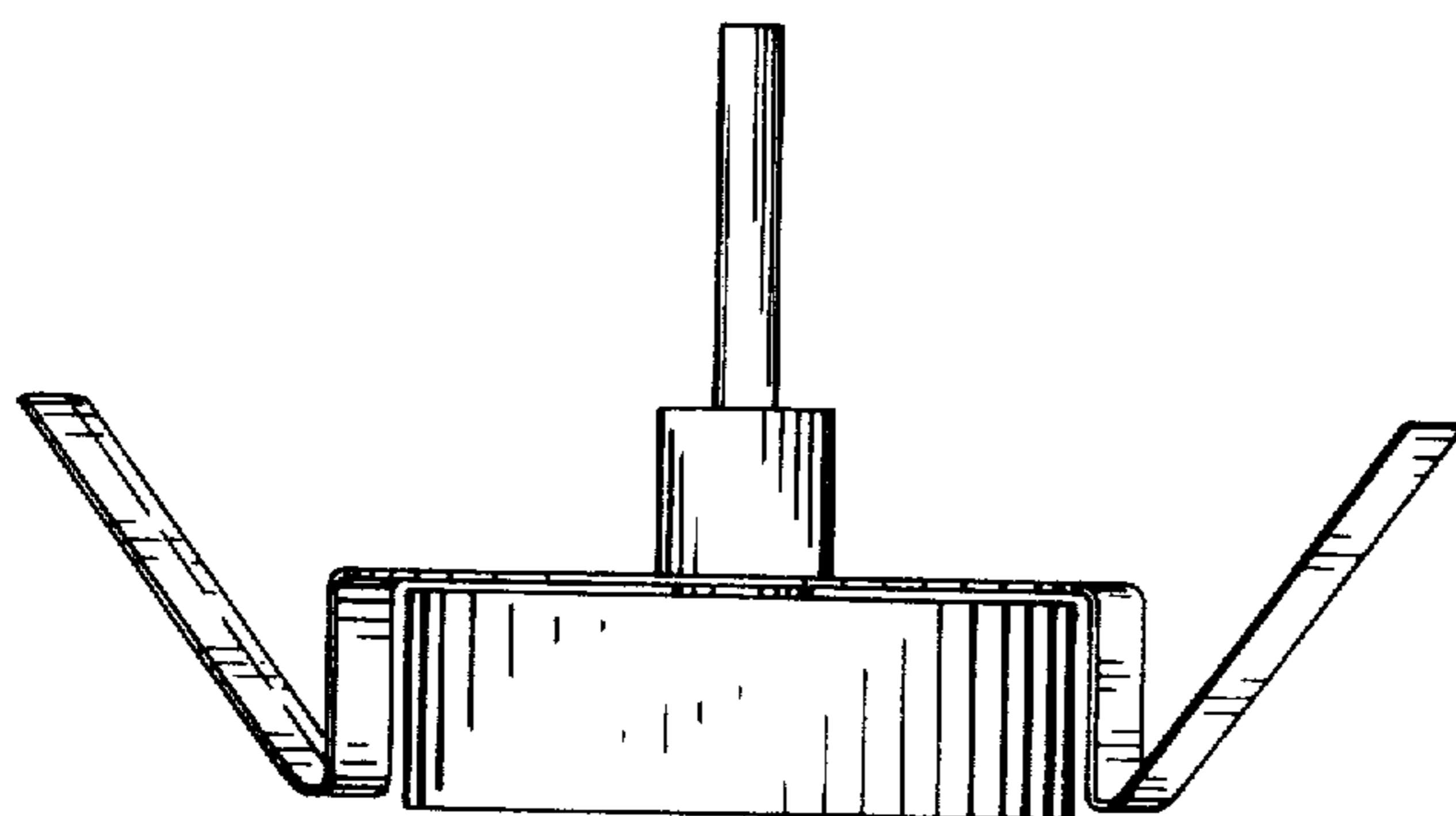


FIG. 4

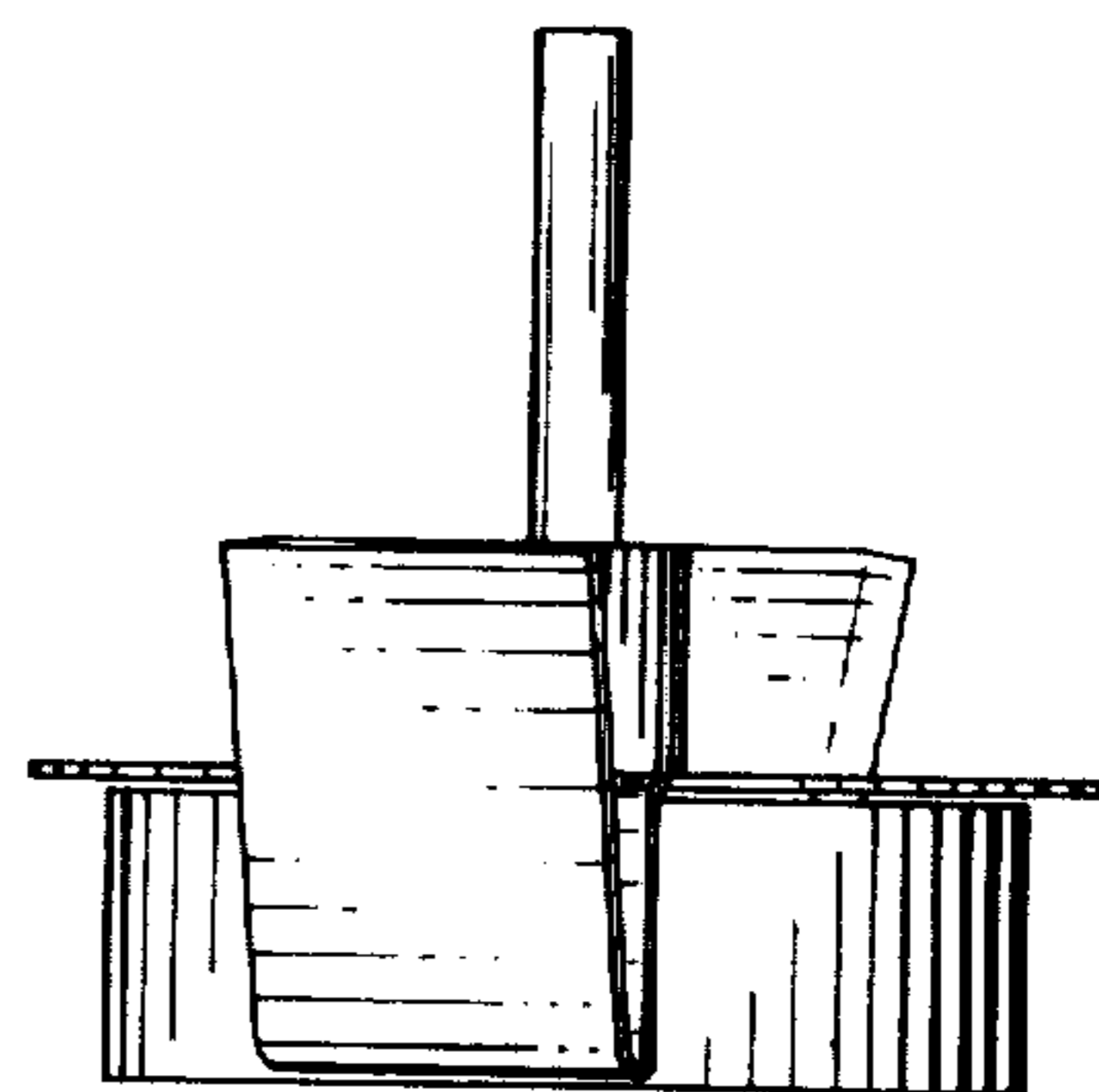


FIG. 5