

[54] **HOLDER FOR A SCOURING IMPLEMENT**
 [76] **Inventor:** Louis J. Silver, 3434 Baker St., San Francisco, Calif. 94123
 [**] **Term:** 14 Years
 [21] **Appl. No.:** 638,345
 [22] **Filed:** Dec. 8, 1975
 [51] **Int. Cl.** D7-05
 [52] **U.S. Cl.** D7/178
 [58] **Field of Search** D7/178-185;
 D86/11, 13, 14; 15/104 R, 105, 106, 107,
 114, 118, 209 R, 210 R, 227, 236 R, 236 A,
 244-245

2,689,966 9/1954 Reuss 15/118 X
 3,100,311 8/1963 Tutino 15/209 D

FOREIGN PATENT DOCUMENTS

509,602 1952 Belgium 15/244 R

Primary Examiner—Wallace R. Burke
Assistant Examiner—Catherine Kemper
Attorney, Agent, or Firm—Robert E. Wickersham

[57] **CLAIM**

The ornamental design for a holder for a scouring implement, substantially as shown and described.

DESCRIPTION

FIG. 1 is a view in perspective of a holder for a scouring implement, showing my new design.

FIG. 2 is a top plan view thereof.

FIG. 3 is a bottom plan view thereof.

FIG. 4 is a vertical sectional view thereof taken along the line 4-4 in FIG. 2.

[56] **References Cited**
U.S. PATENT DOCUMENTS

1,653,702 12/1927 Gundersen 15/209 D
 1,958,408 5/1934 Jelliffe et al. 15/209 D
 2,043,031 6/1936 Bradford, Jr. D7/178 UX

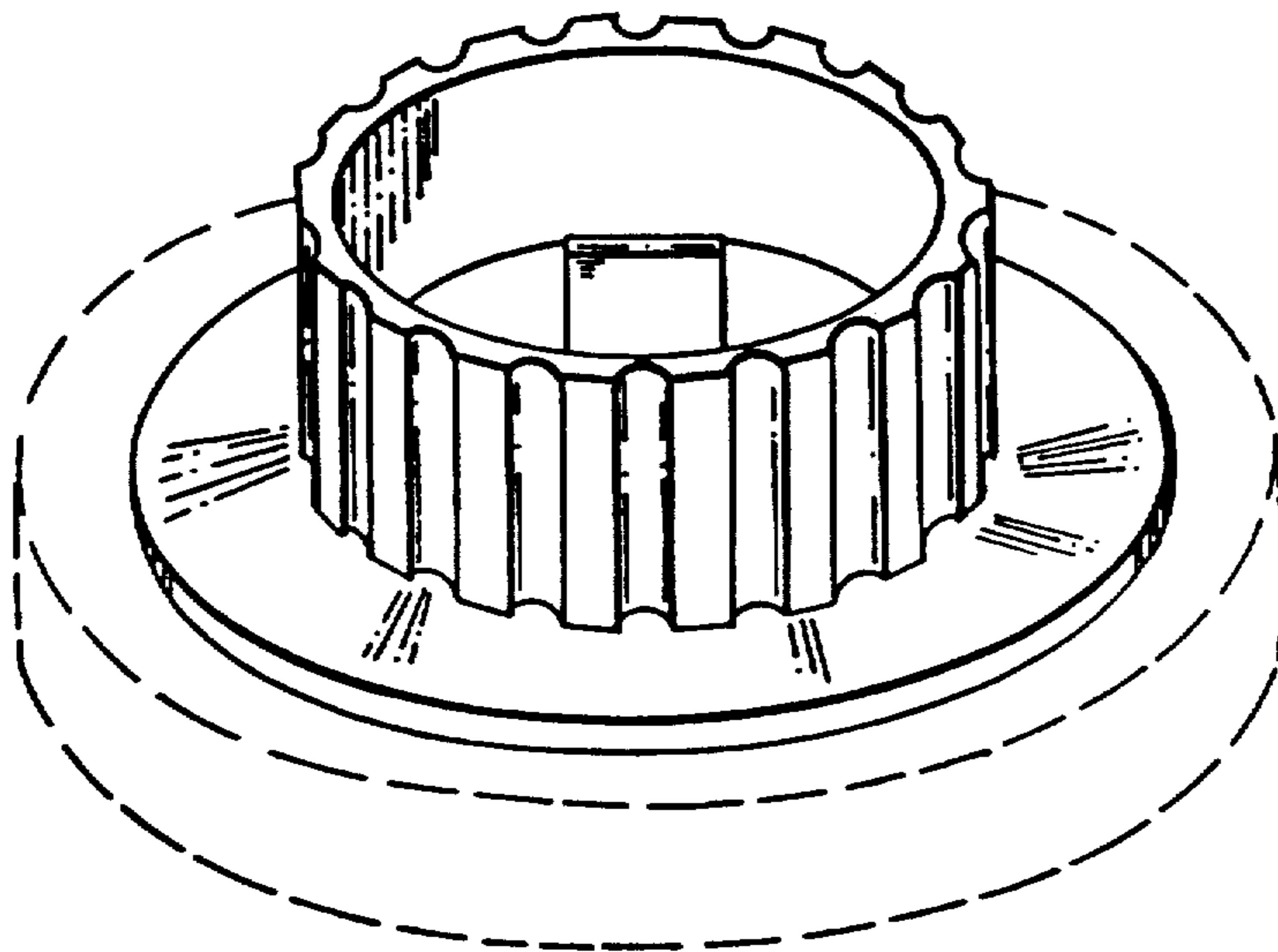


FIG. 1

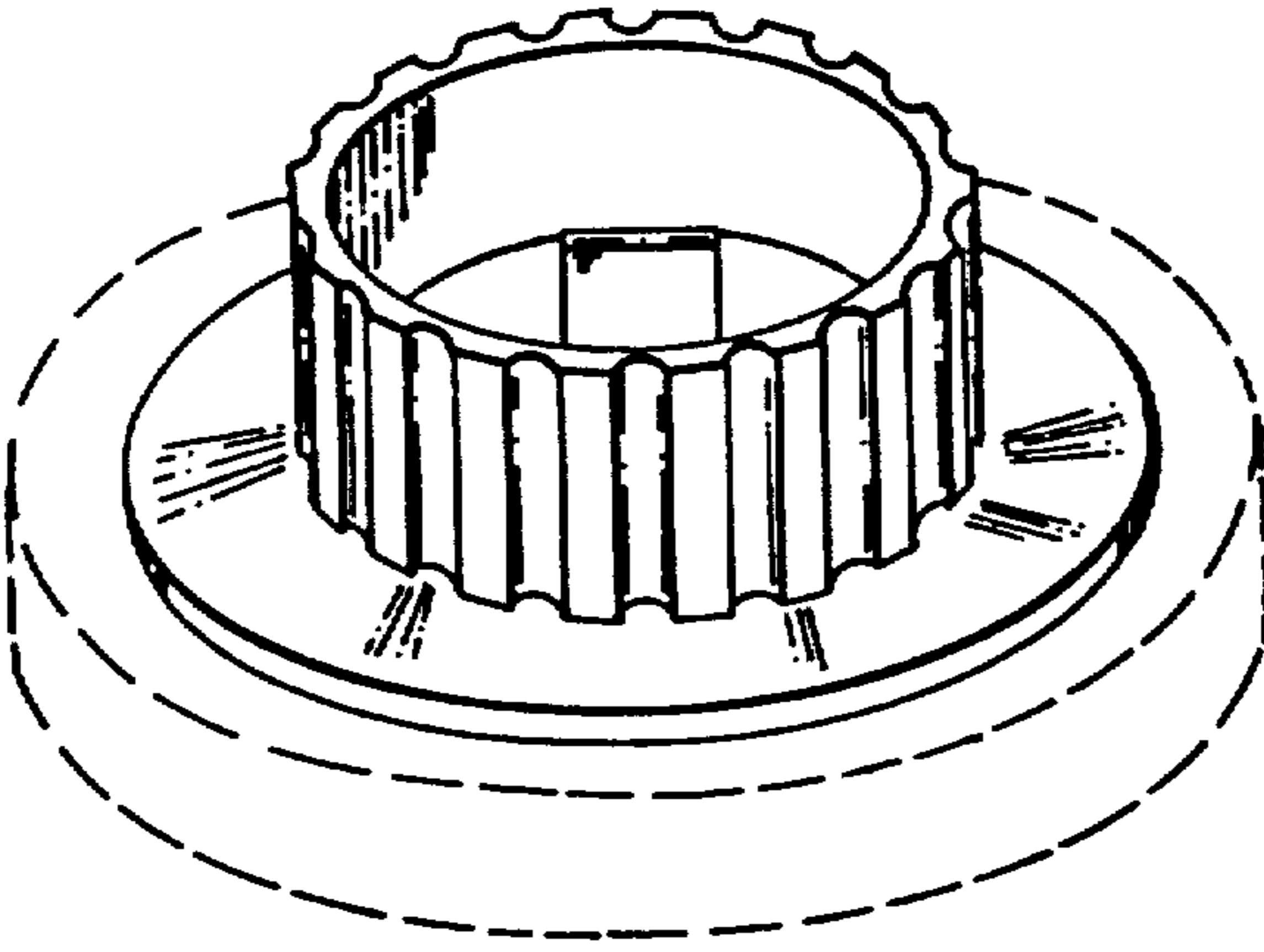


FIG. 2

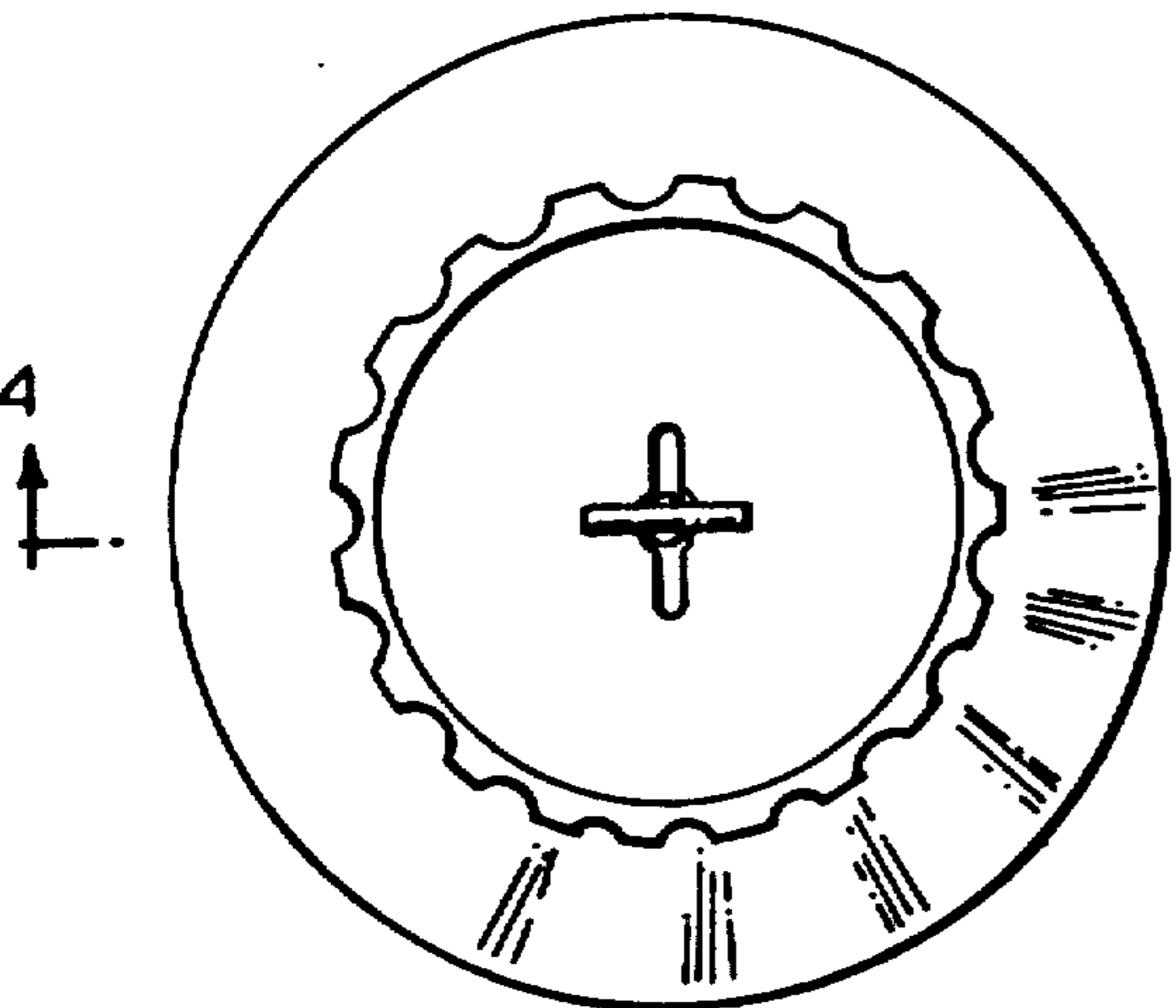


FIG. 3

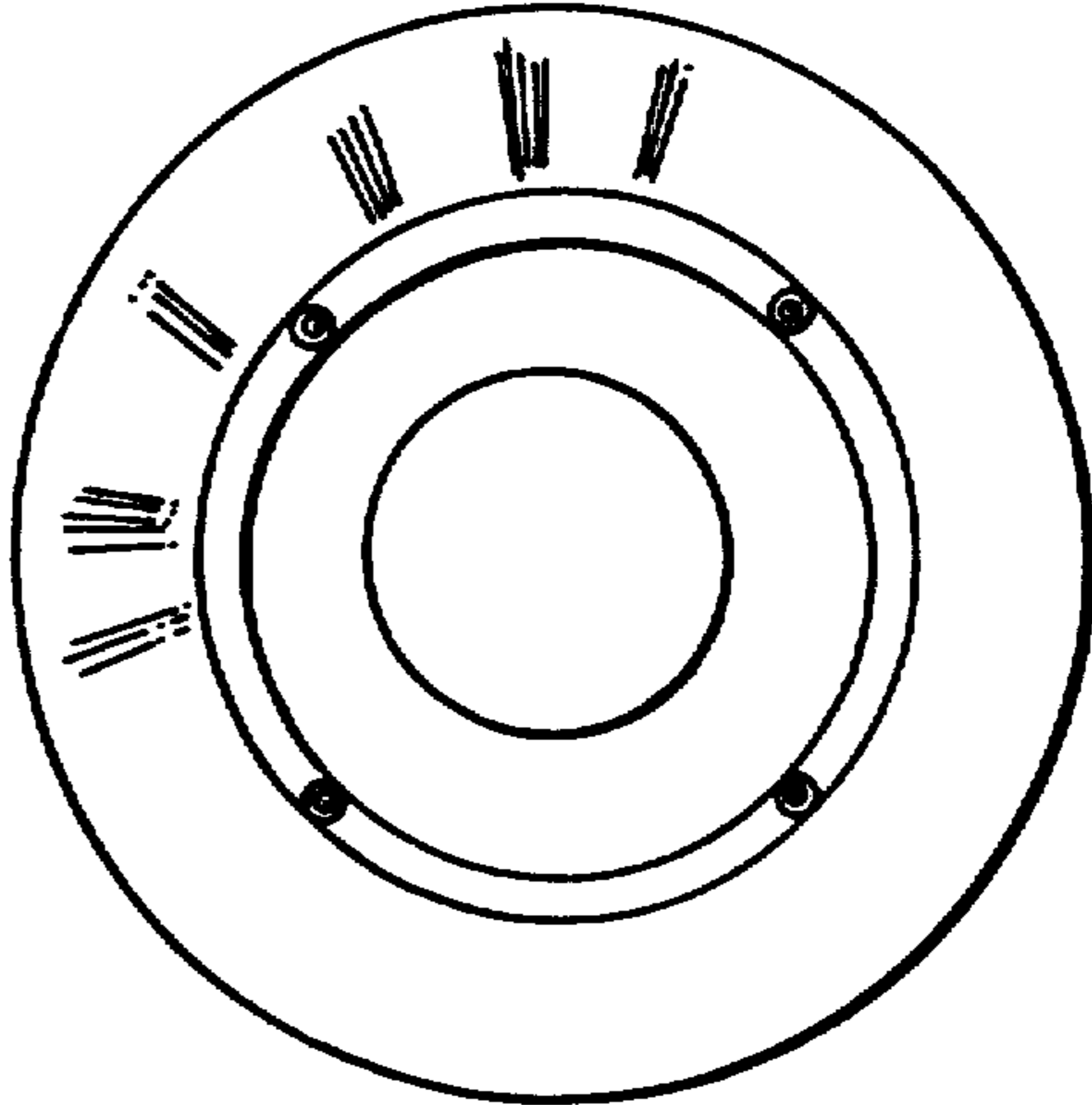


FIG. 4

