

[54] **FOOD GRINDER**

[75] Inventors: **Lester Brown**, Flushing; **Paul M. Moskowitz**, Brooklyn; **Michael Lax**, New York, all of N.Y.; **Robert Dziekonski**, Fort Lee, N.J.

[73] Assignee: **Salton, Inc.**, Bronx, N.Y.

[**] Term: **14 Years**

[21] Appl. No.: **583,997**

[22] Filed: **June 5, 1975**

[51] Int. Cl. **D7-04**

[52] U.S. Cl. **D7/155**

[58] Field of Search **D7/154-160, D7/51, 76; D55/1 B, 1 E; 241/100**

[56] **References Cited**

U.S. PATENT DOCUMENTS

2,566,279	8/1951	Wood	241/100
D102,095	11/1936	Shively	D7/156
D229,346	11/1973	Zimmerman	D55/1 B

FOREIGN PATENT DOCUMENTS

228,609 12/1962 Austria 241/100

OTHER PUBLICATIONS

House Beautiful, May, 1962, p. 30, Hobart's Grinder.
House & Garden, May, 1972, p. 136, Braun Adv. Coffee Mill KMM-1-Bottom Right Panel.

Primary Examiner—Winifred E. Herrmann
Attorney, Agent, or Firm—Edward D. O'Brian

[57] **CLAIM**

The ornamental design for a food grinder, substantially as shown and described.

DESCRIPTION

FIG. 1 is a front perspective view of a food grinder showing one side and top of our new design.
FIG. 2 is a side elevational view thereof showing the side which is not visible in FIG. 1;
FIG. 3 is a top plan view thereof.
FIG. 4 is a front elevational view thereof;
FIG. 5 is a rear elevational view thereof; and
FIG. 6 is a bottom plan view thereof.

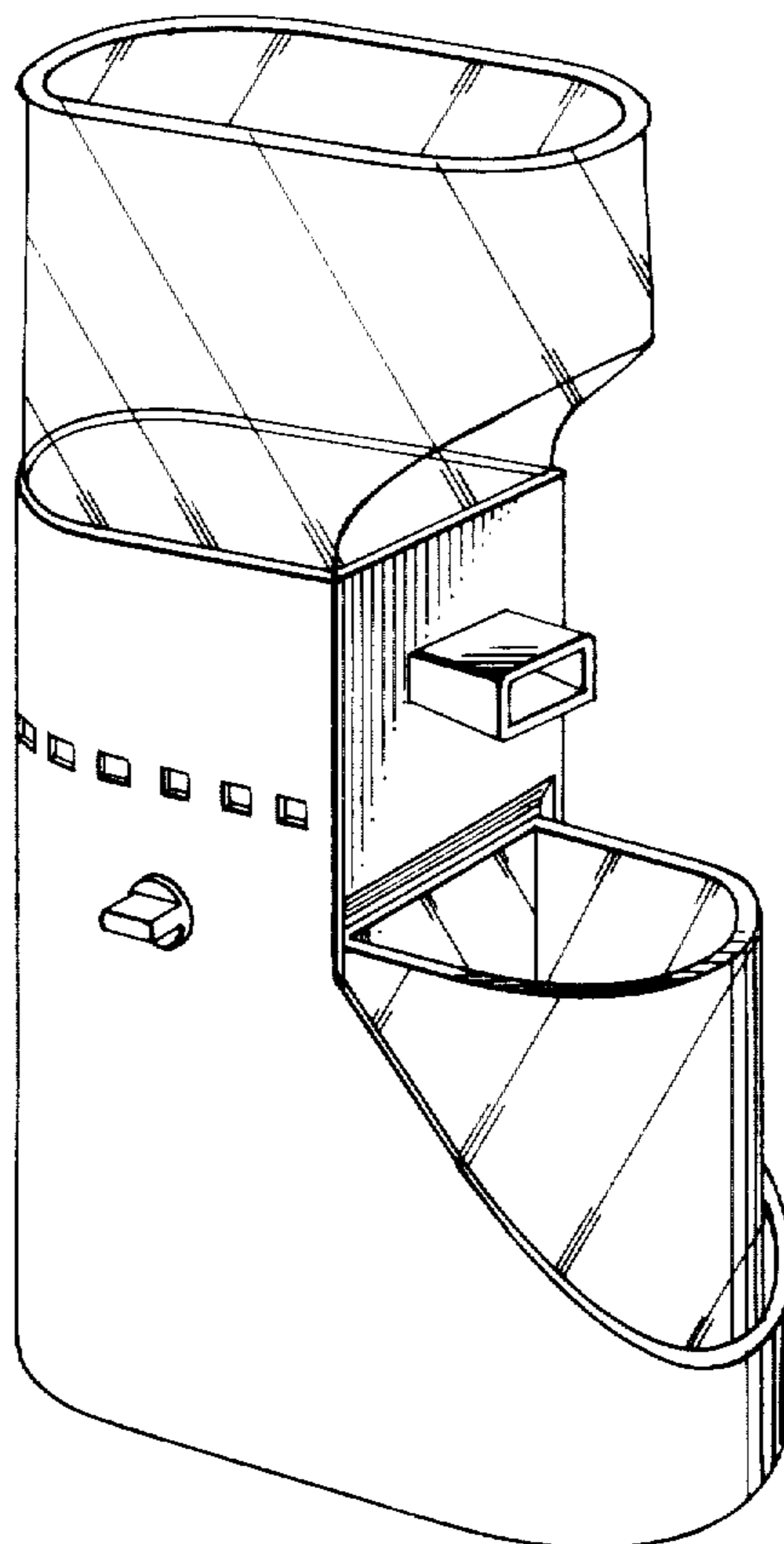


FIG. 1.

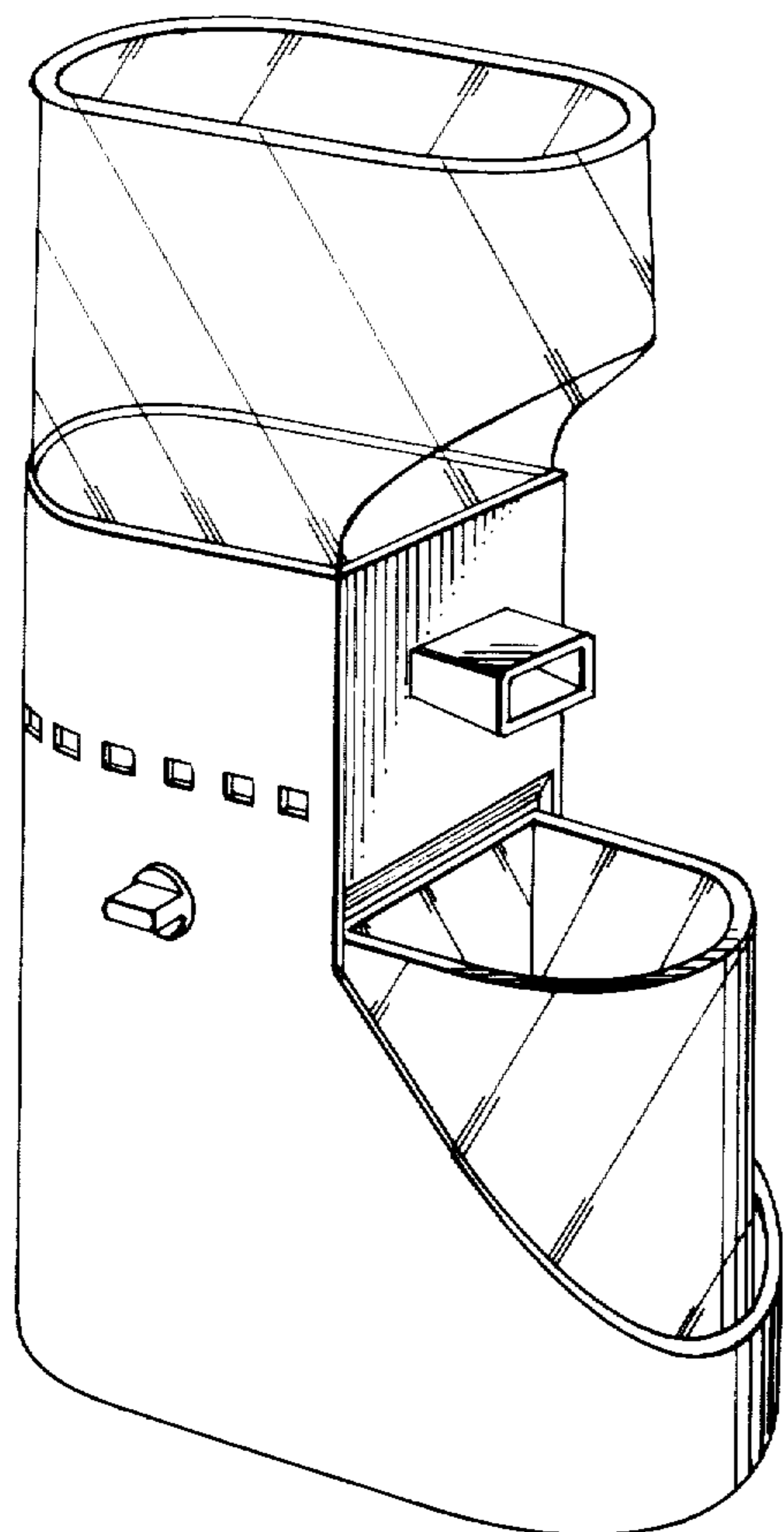


FIG. 2.

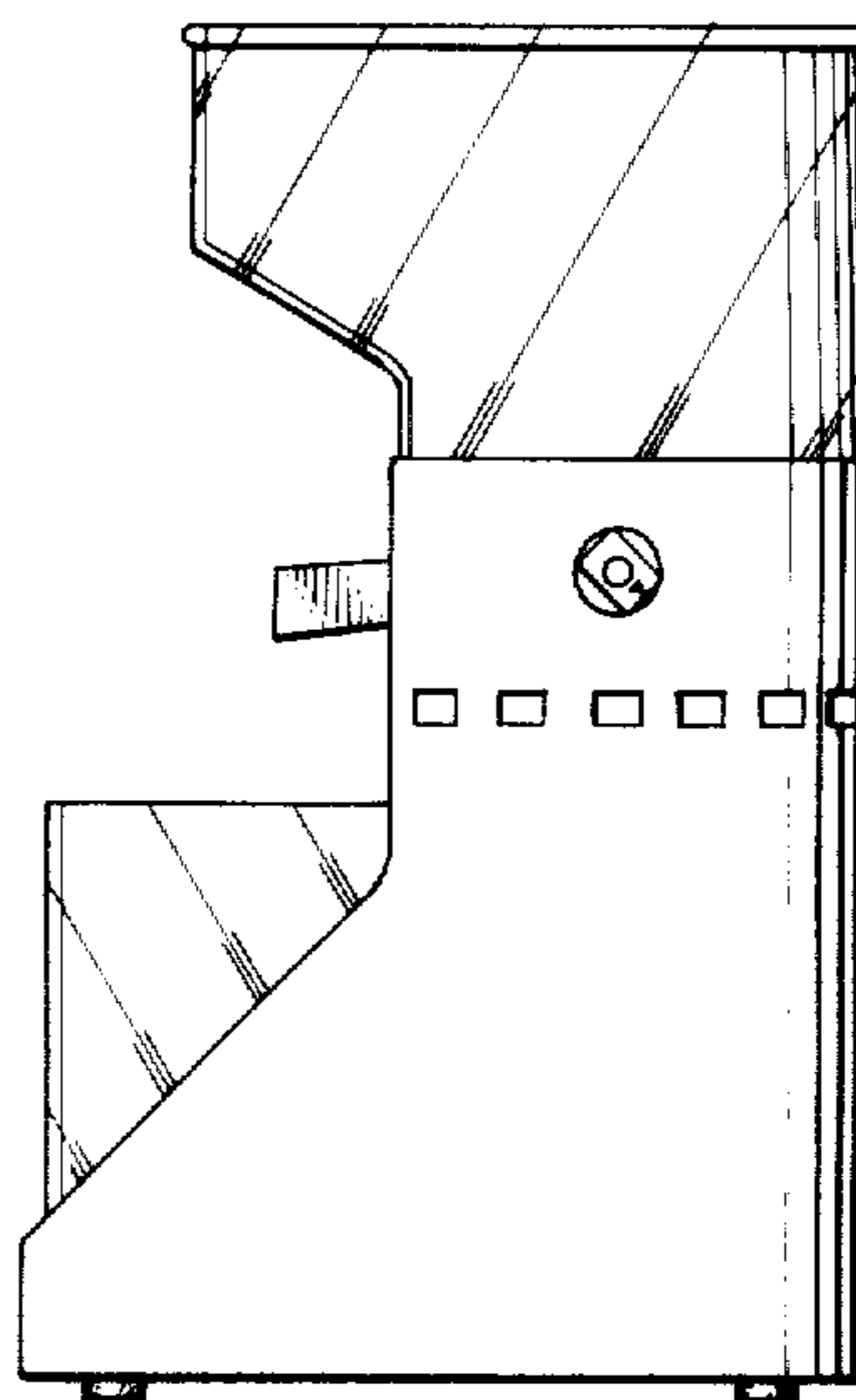


FIG. 3.

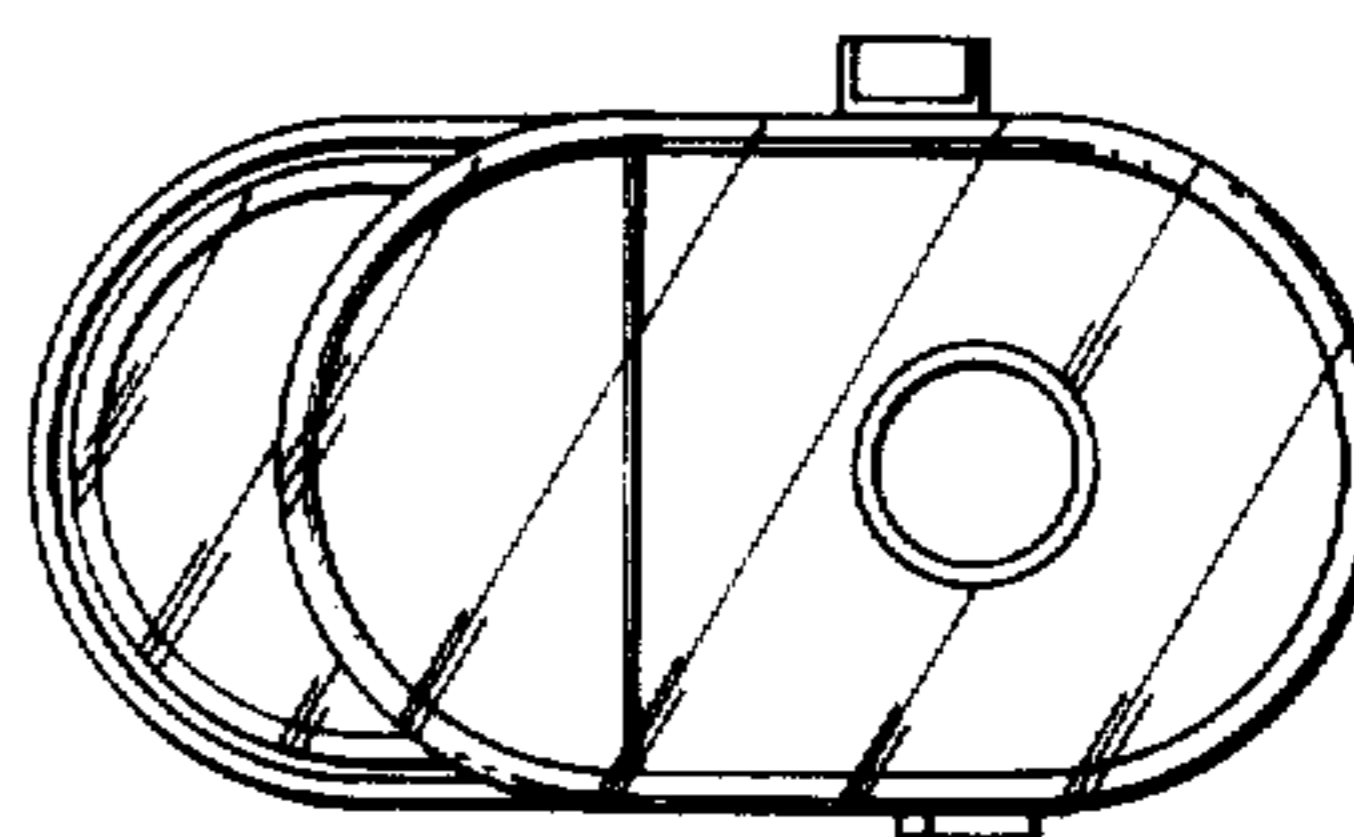


FIG. 4.

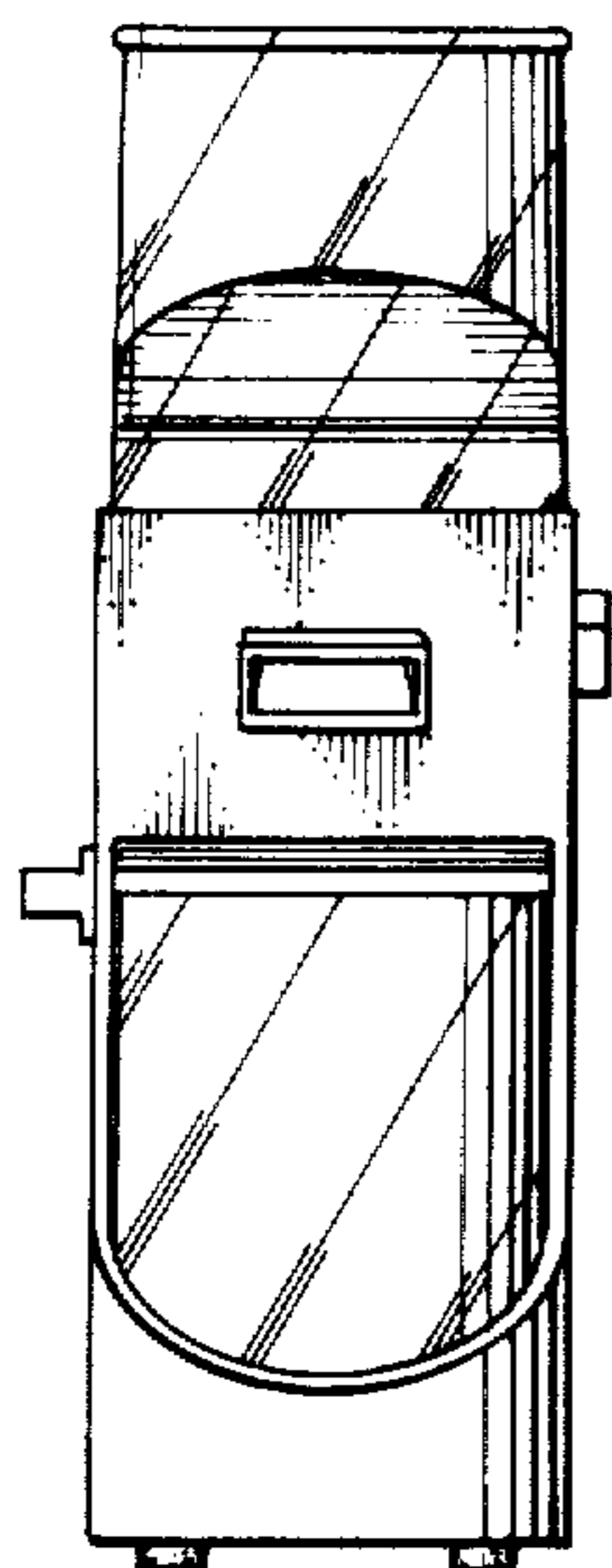


FIG. 5.

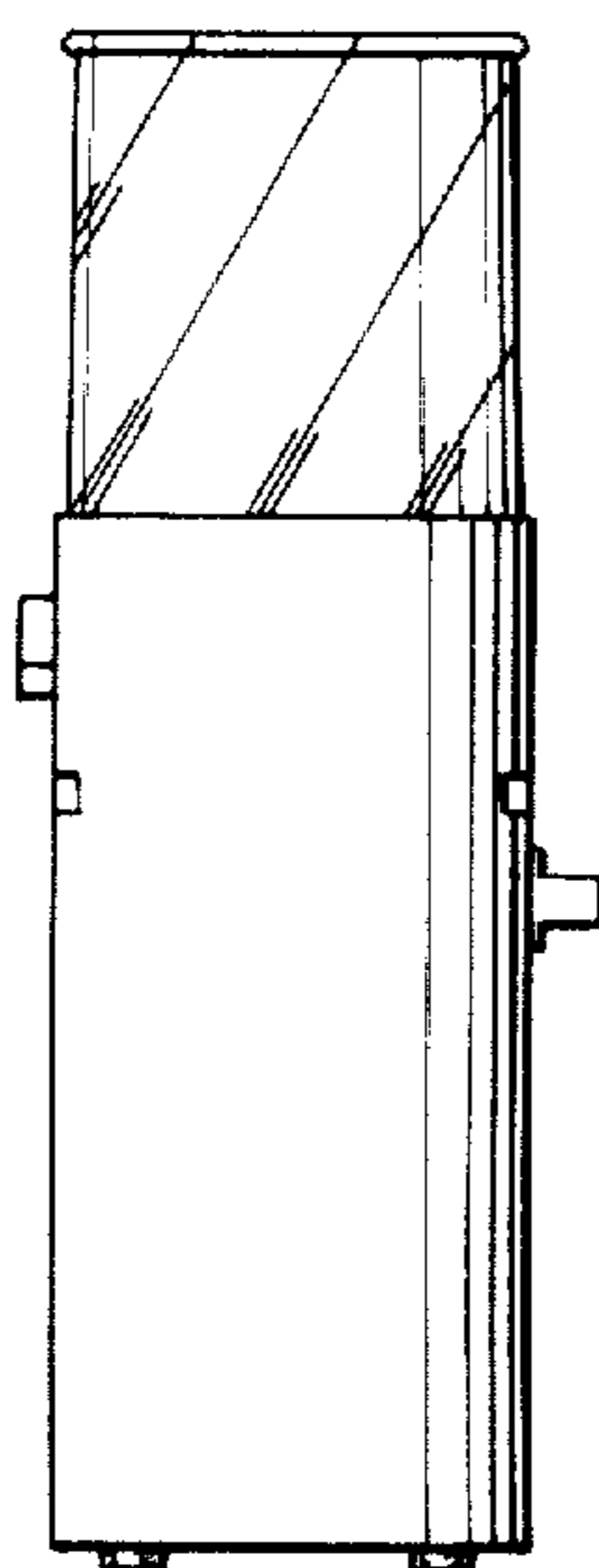


FIG. 6.

