

[54] FOOTWEAR DISPLAY STAND

[75] Inventors: Douglas C. Hillman, Orange, Conn.;  
Herbert J. Solomon, Beechurst,  
N.Y.

[73] Assignee: Uniroyal, Inc.

[\*\*] Term: 14 Years

[21] Appl. No.: 669,125

[22] Filed: Mar. 22, 1976

[51] Int. Cl. .... D20-02

[52] U.S. Cl. .... D6/186

[58] Field of Search ..... D6/20, 23, 24, 25, 27,  
D6/28, 29, 85, 141, 146, 157, 177, 179,  
181-189; 211/13, 34, 36, 42, 126, 128, 134,  
135, 144, 163

[56] References Cited

U.S. PATENT DOCUMENTS

3,552,576 1/1971 Lahr ..... 211/36  
D135,095 2/1943 Garratt ..... D6/20

Primary Examiner—Susie J. Mercer  
Assistant Examiner—B. J. Bullock  
Attorney, Agent, or Firm—Norbert P. Holler

[57] CLAIM

The ornamental design for a footwear display stand,  
substantially as shown and described.

DESCRIPTION

FIG. 1 is a perspective view of a footwear display stand  
embodying our new design;  
FIG. 2 is a front elevational view thereof;  
FIG. 3 is a side elevational view thereof;  
FIG. 4 is a top plan view thereof.

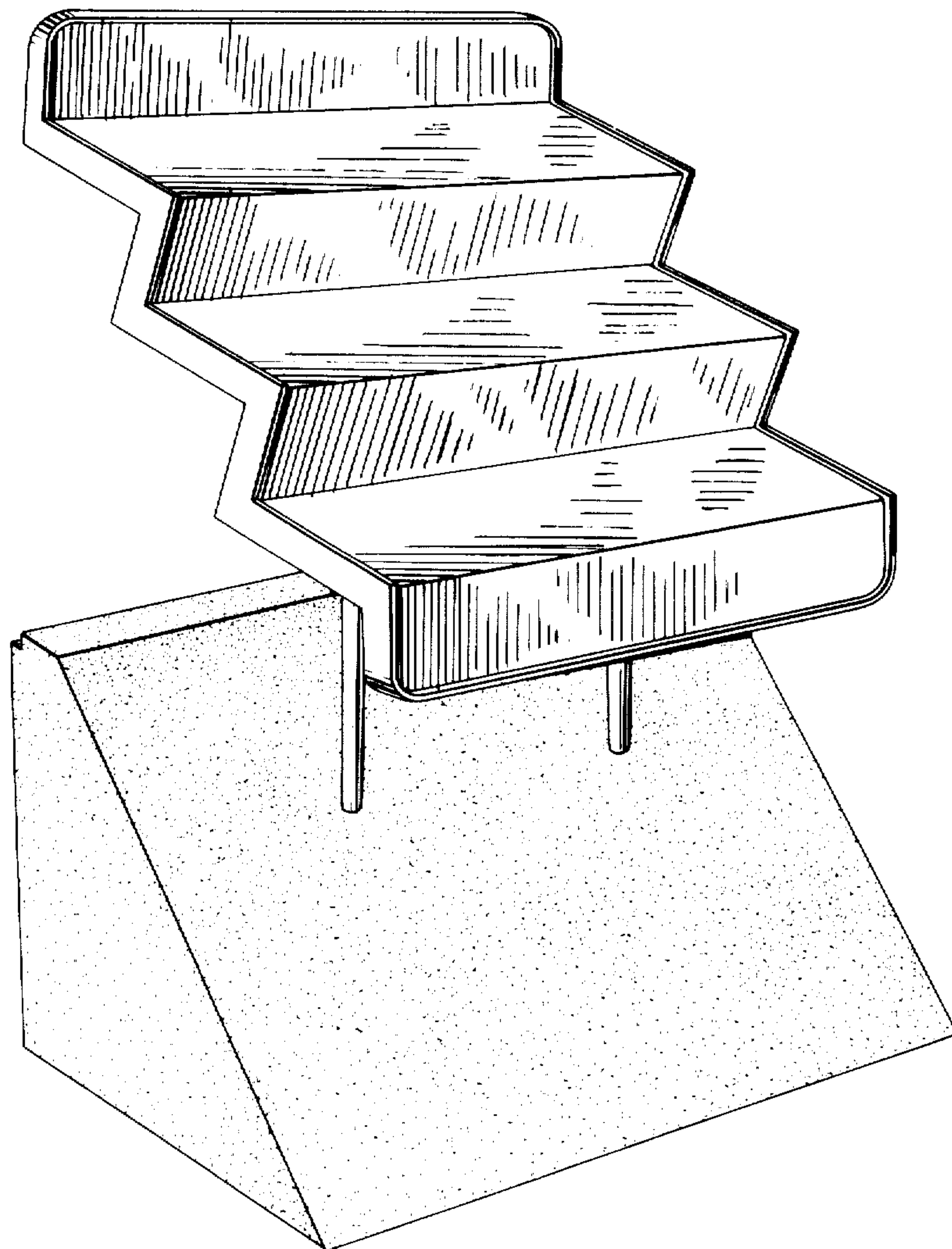
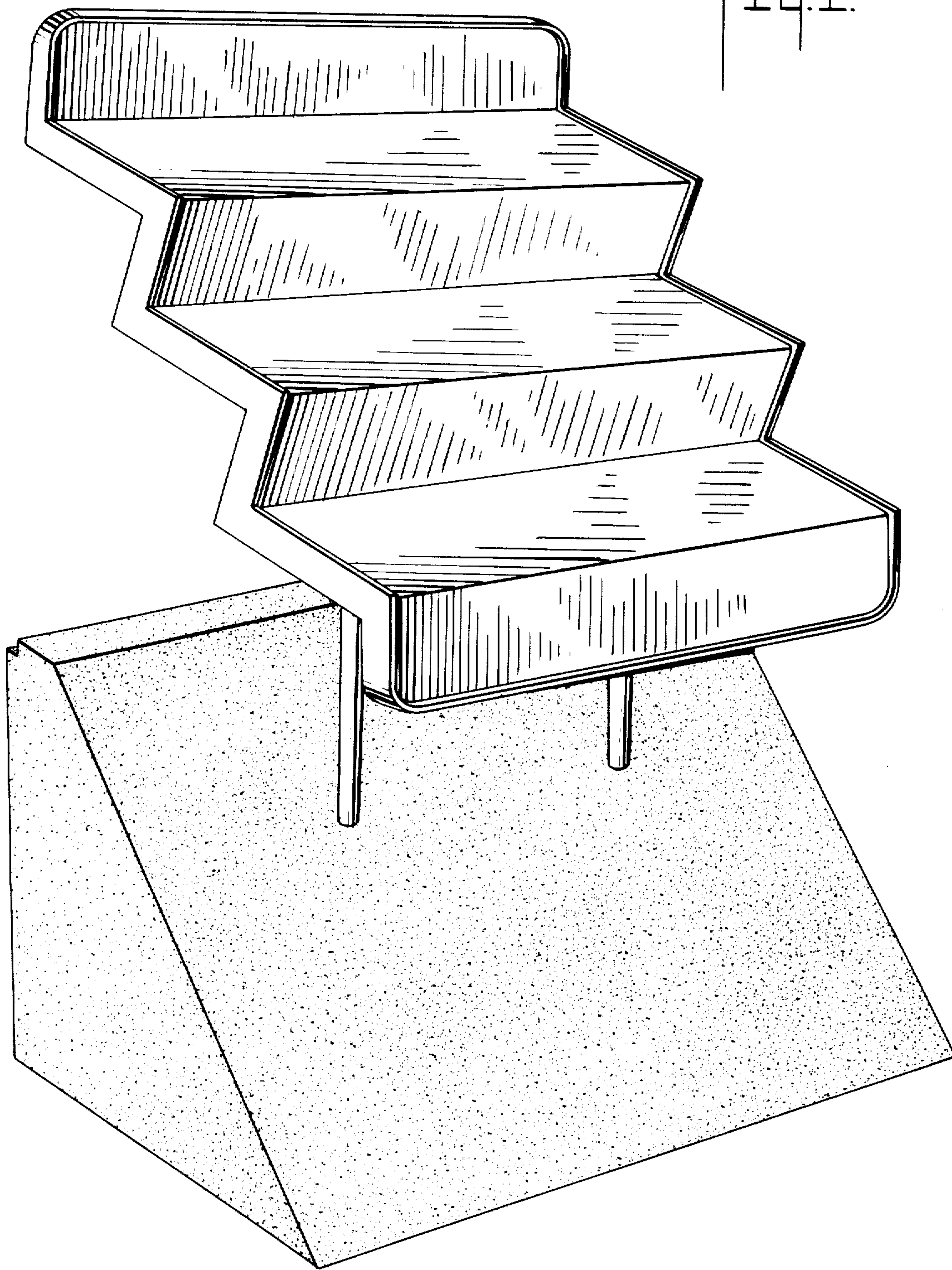


Fig. 1.



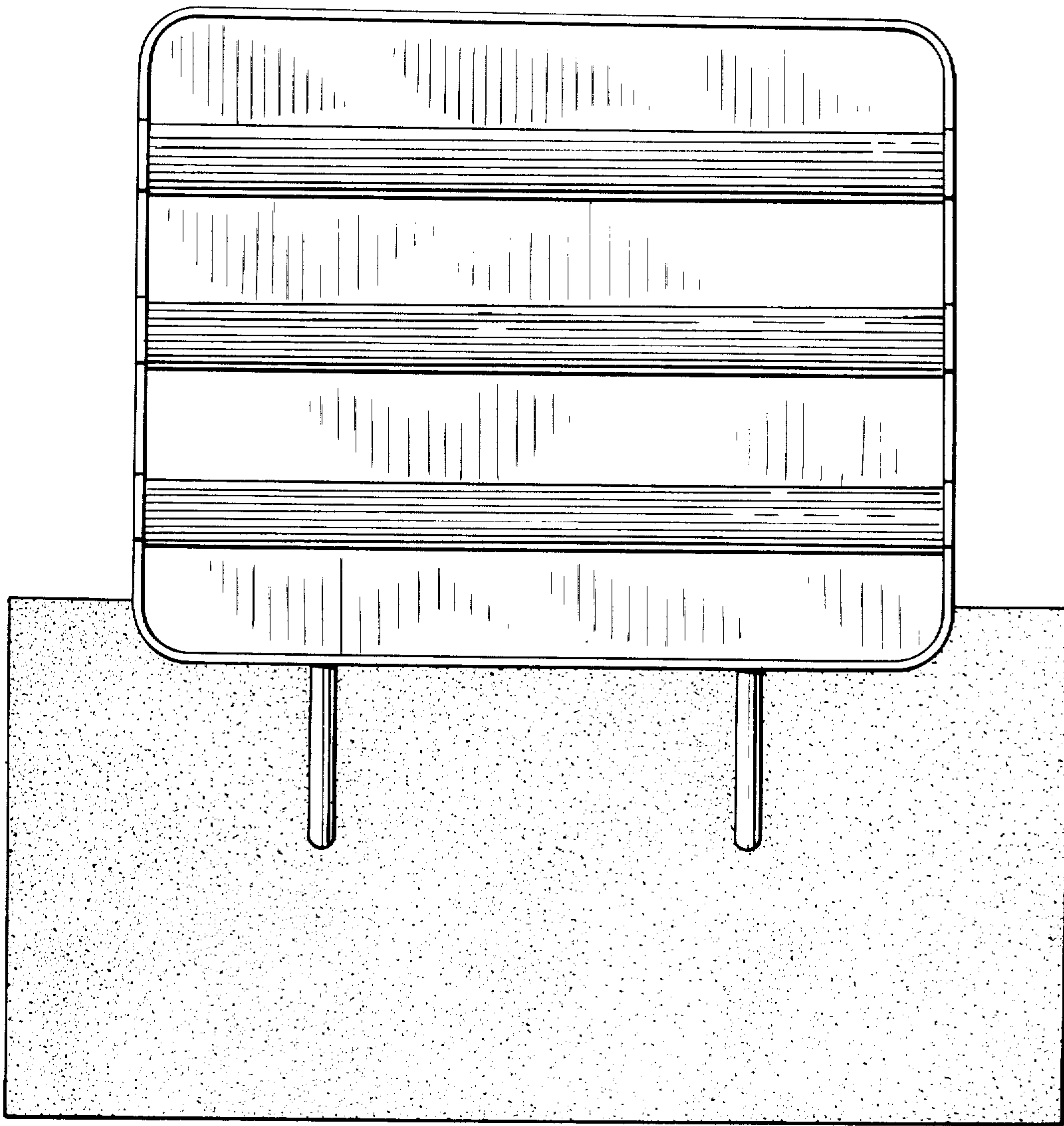


Fig. 2.



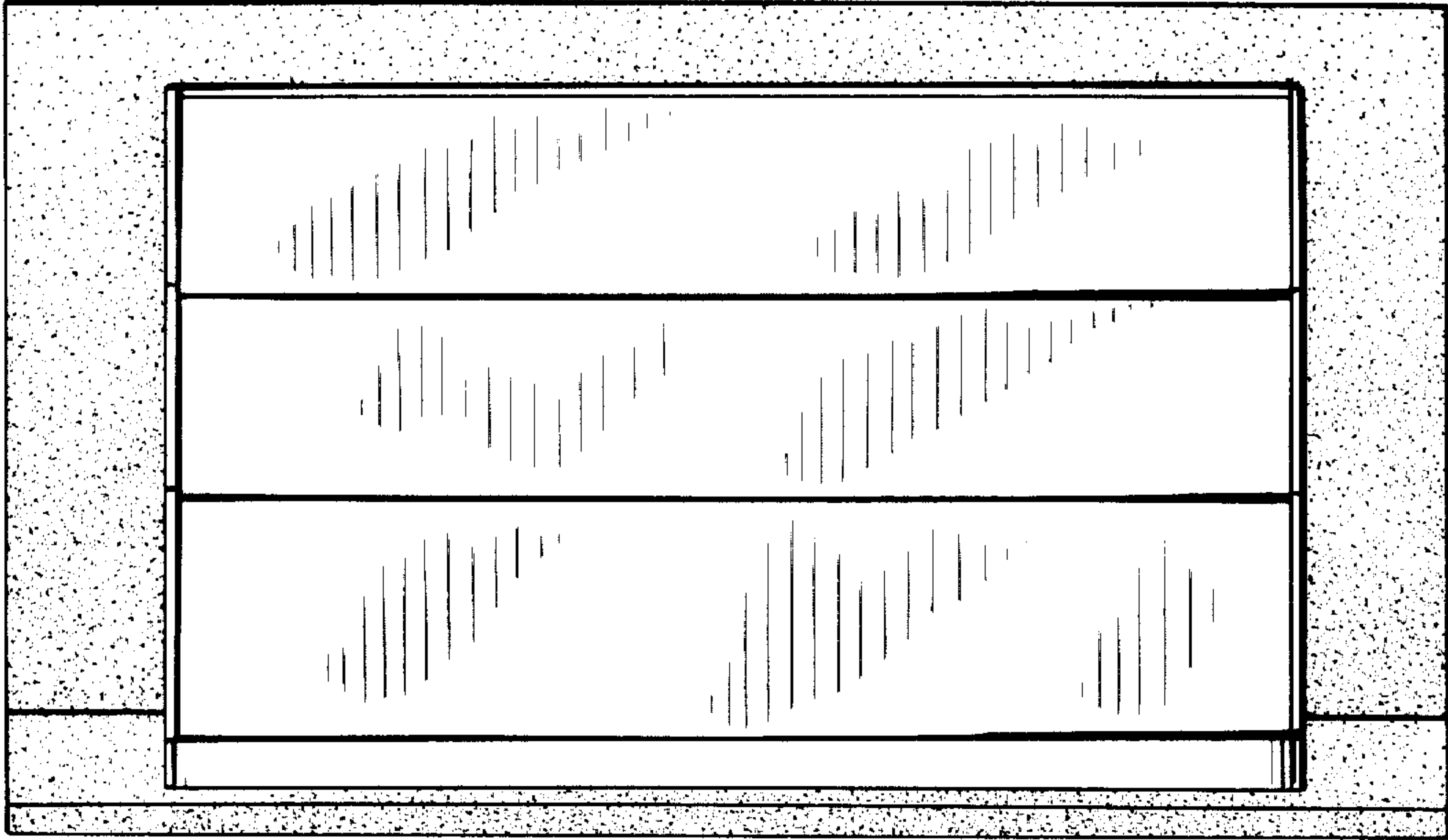


Fig. 4.

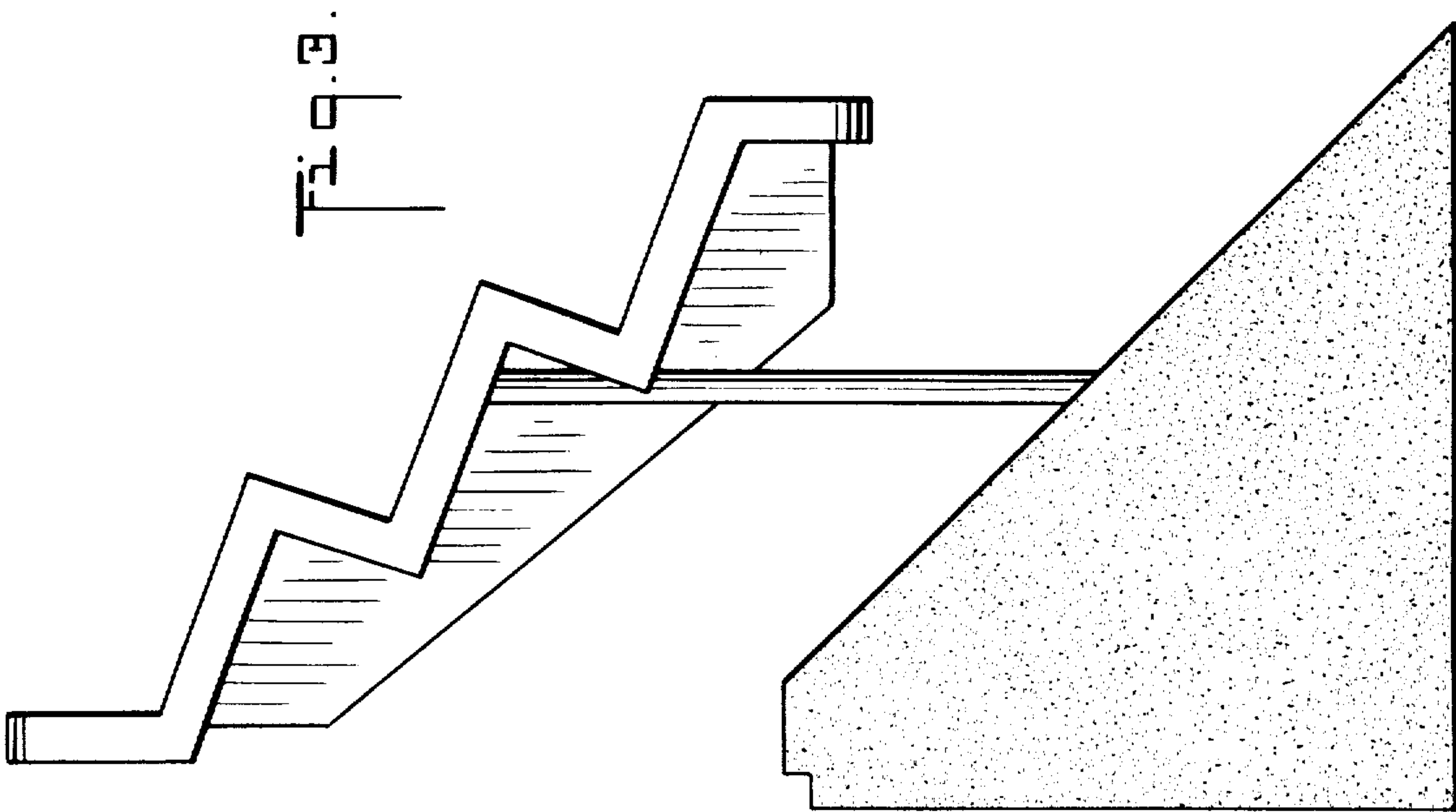


Fig. 3.