

- [54] SEAT OR SIMILAR ARTICLE
- [76] Inventor: **Taylor M. Potter**, 550 SW. Palatine Hill Road, Portland, Oreg. 97219
- [\*\*] Term: **14 Years**
- [21] Appl. No.: **582,783**
- [22] Filed: **June 2, 1975**
- [51] Int. Cl. .... **D6-01**
- [52] U.S. Cl. .... **D6/73**
- [58] Field of Search ..... **D6/47-78**

*Primary Examiner*—Bruce W. Dunkins  
*Attorney, Agent, or Firm*—Adrian J. La Rue

[57] **CLAIM**

The ornamental design for a seat or similar article, as shown.

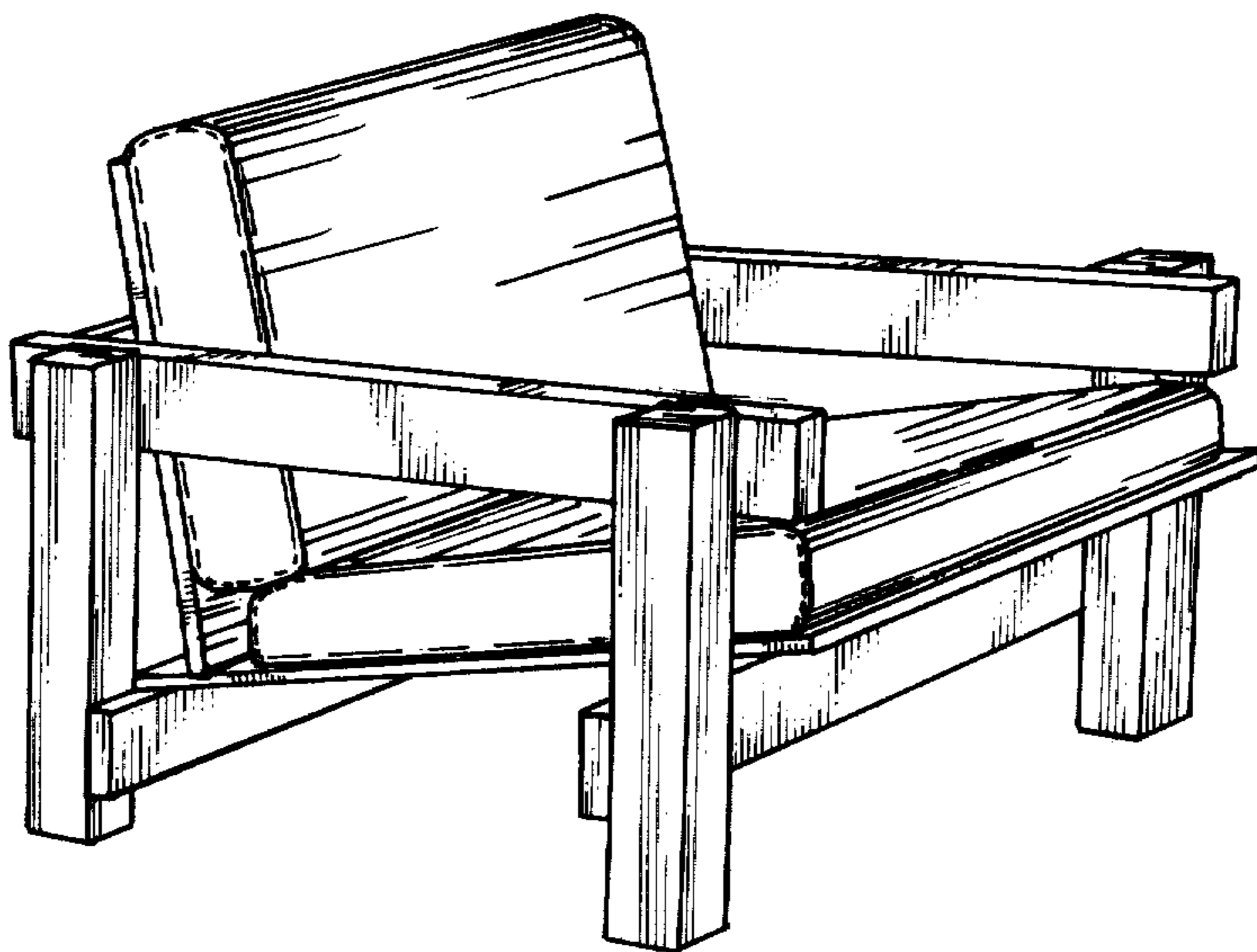
**DESCRIPTION**

FIG. 1 is a front elevational view of a seat showing my design in the form of a chair;  
 FIG. 2 is a side elevational view thereof;  
 FIG. 3 is a top plan view thereof;  
 FIG. 4 is a rear end elevational view thereof;  
 FIG. 5 is a bottom plan view thereof;  
 FIG. 6 is a front perspective view thereof;  
 FIG. 7 is a front perspective view of my design showing same in the form of a loveseat; and  
 FIG. 8 is a front perspective view of my design showing same in form of a sofa.

[56] **References Cited**

**U.S. PATENT DOCUMENTS**

3,563,599	2/1971	Heumann .....	D6/63 X
D49,656	9/1916	Mumford .....	D6/73 X
D219,583	12/1970	Zellick et al. ....	D6/73
D227,834	7/1973	Oliver .....	D6/63
D234,171	1/1975	Long .....	D6/63 X
D237,923	12/1975	Minrow .....	D6/75 X



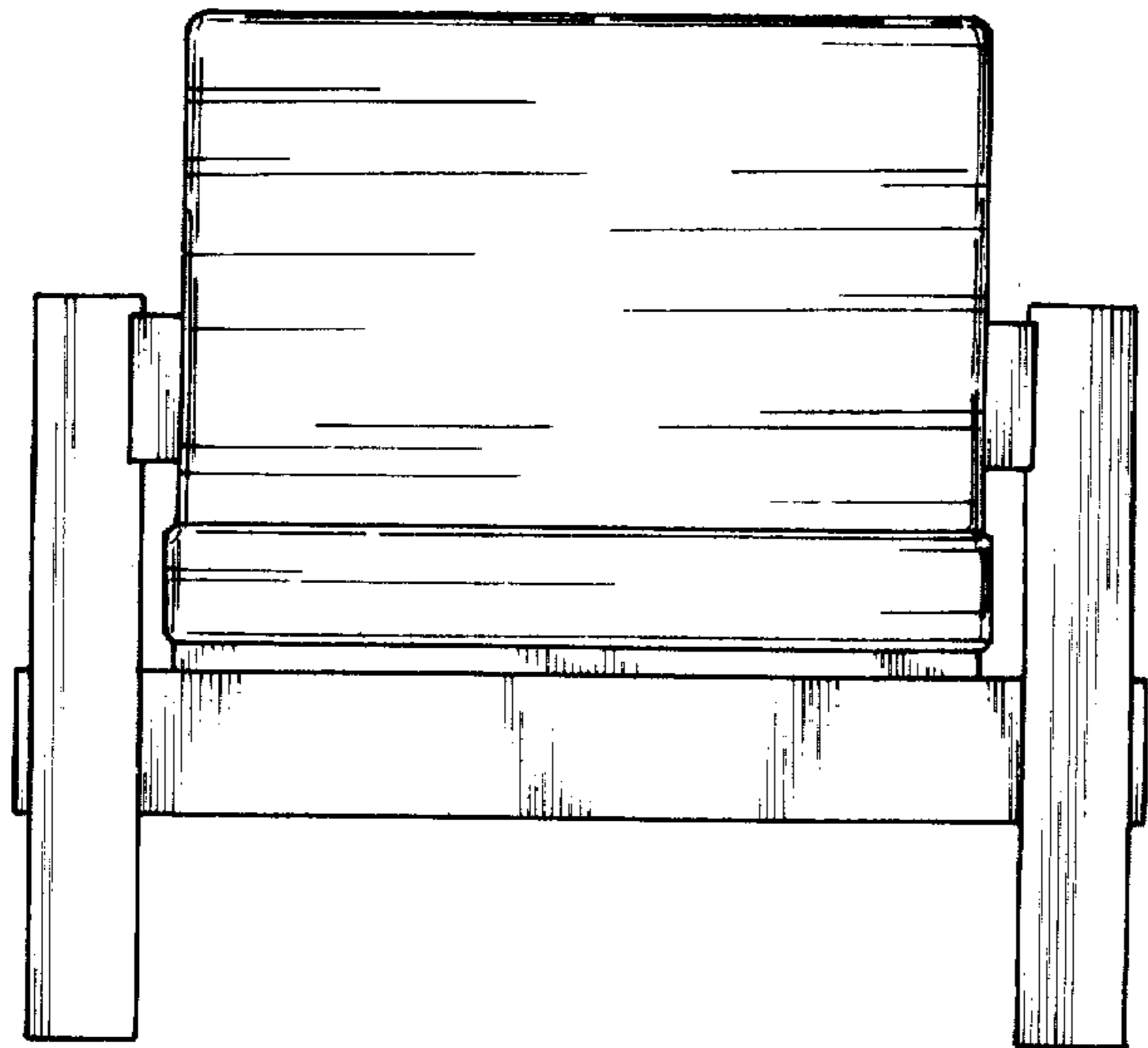


Fig-1

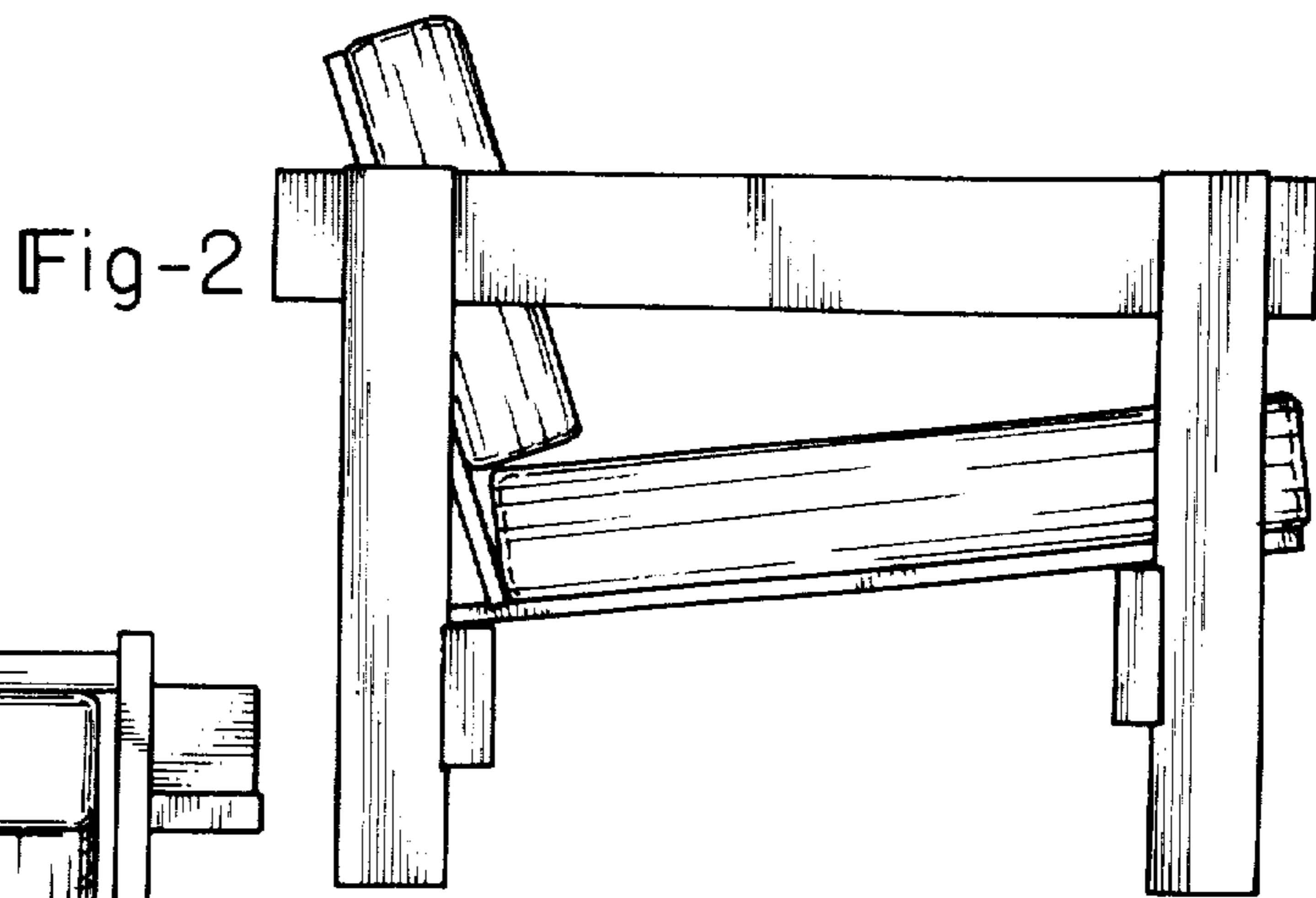


Fig-2

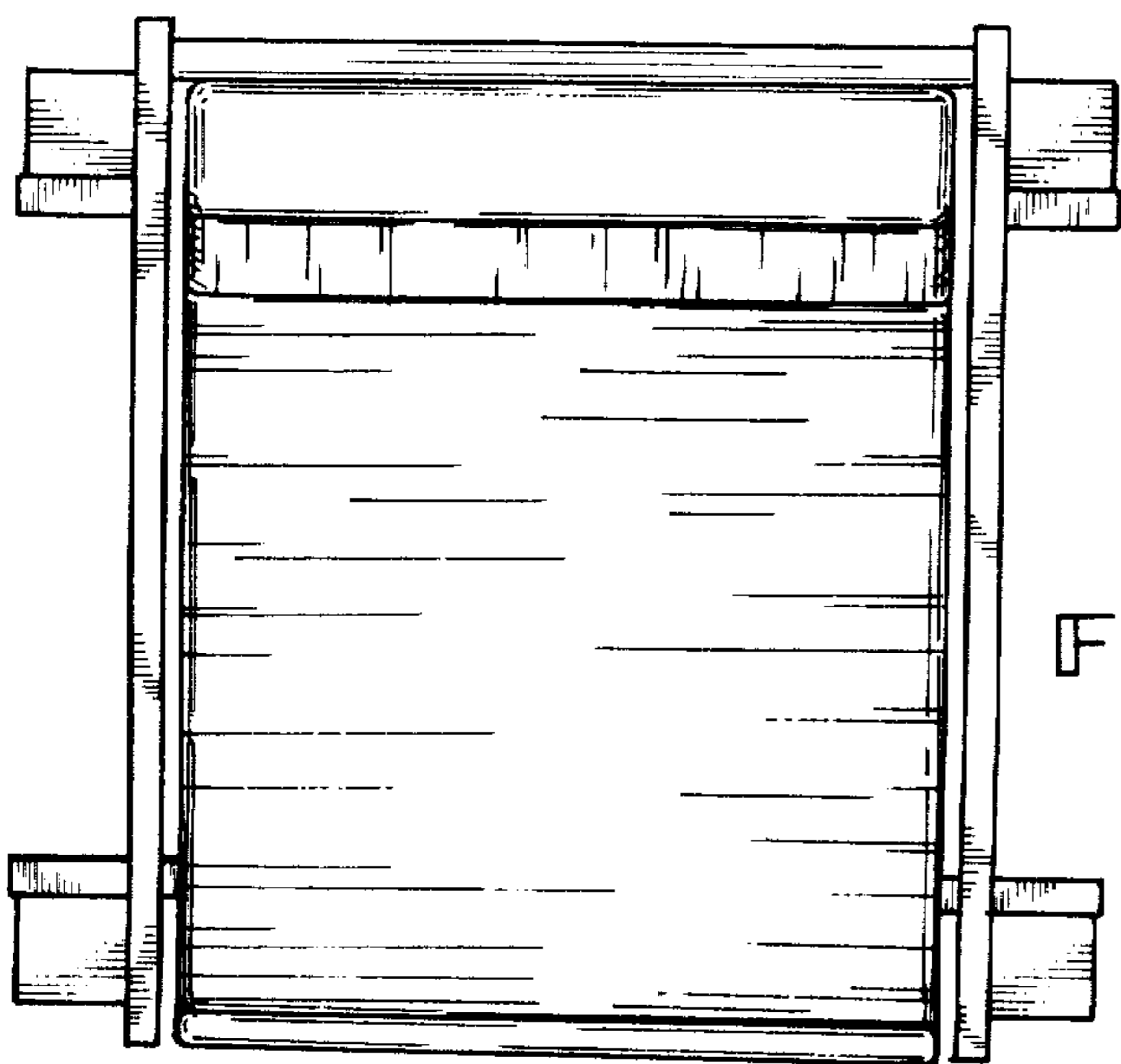


Fig-3

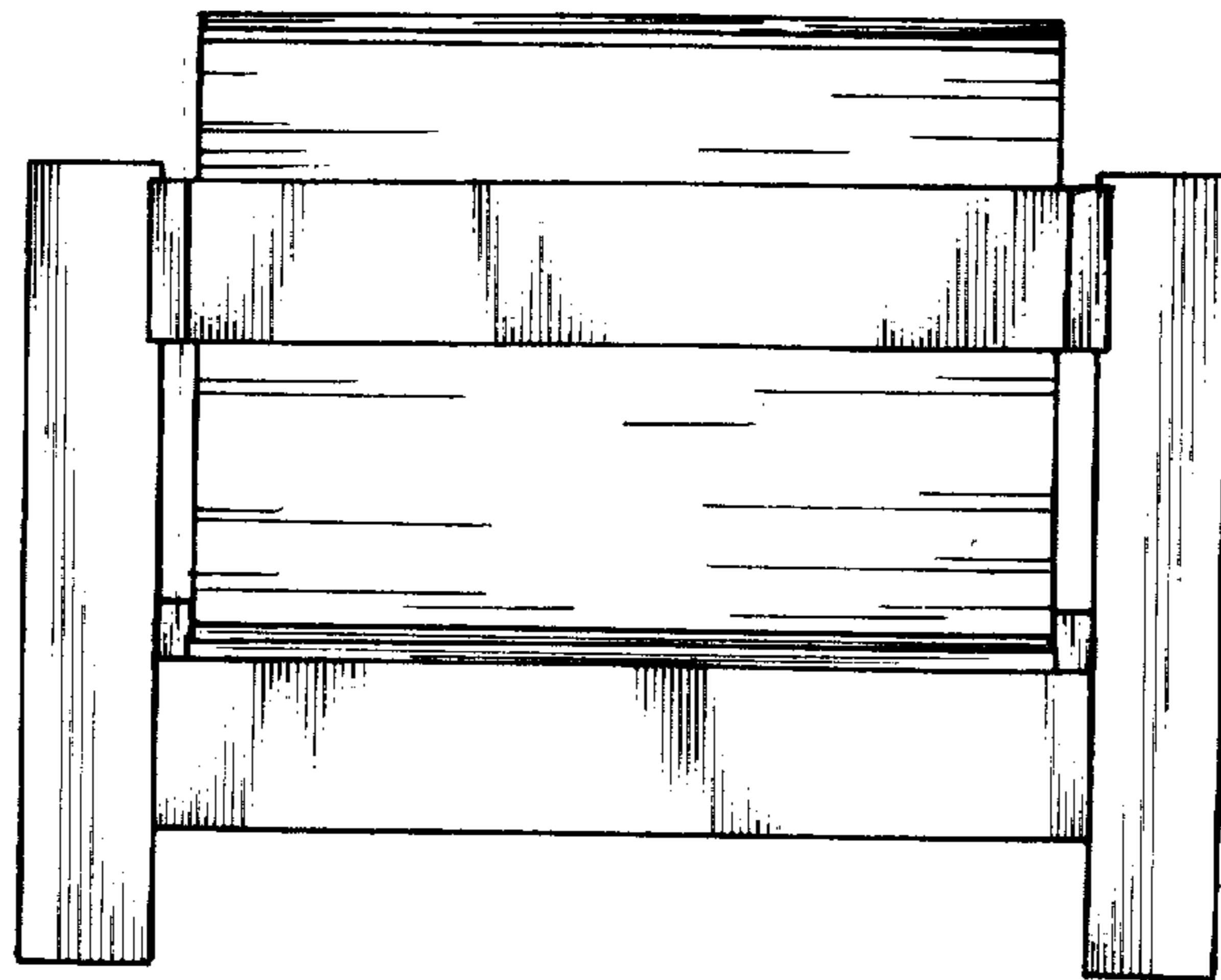


Fig-4

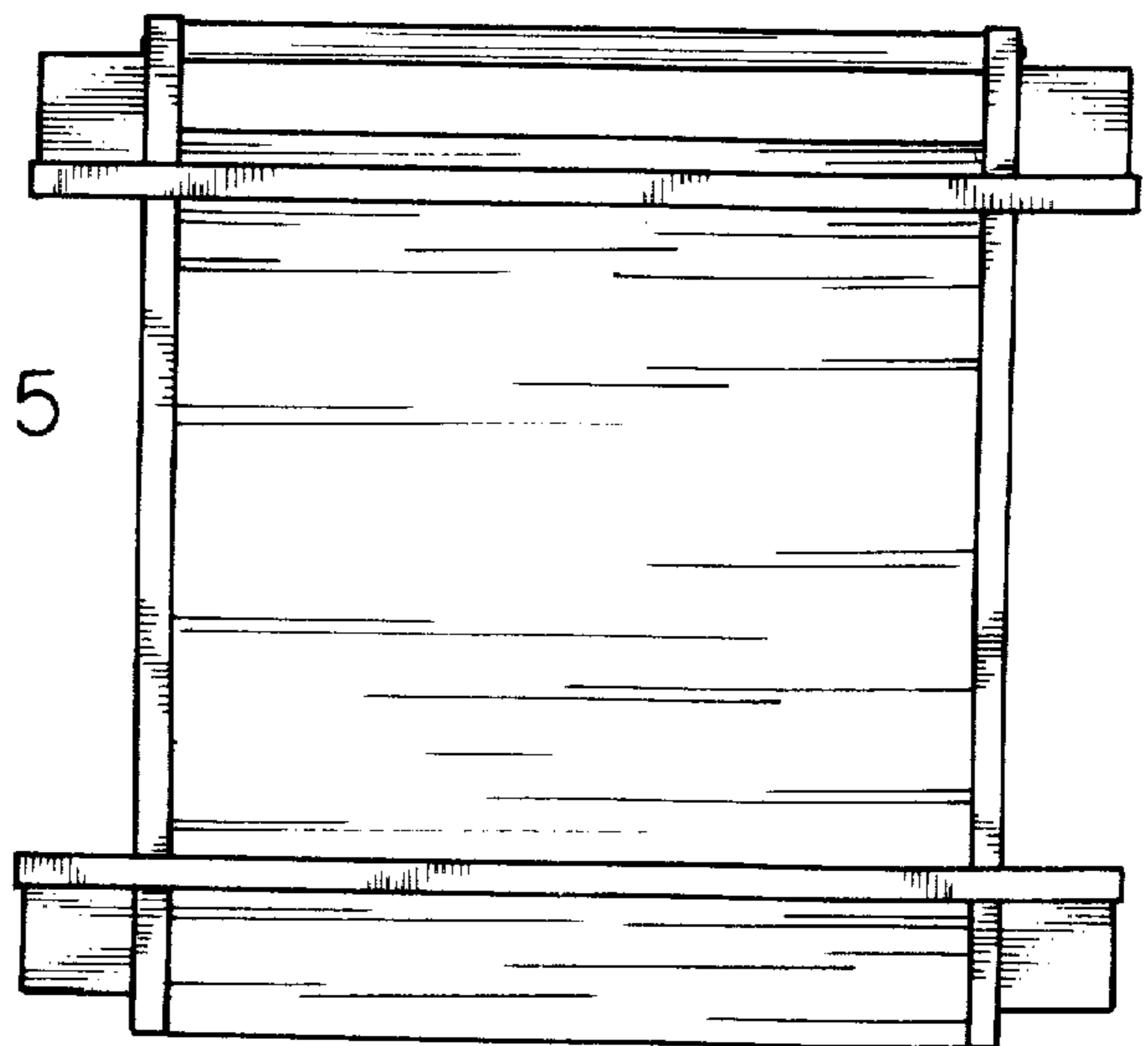


Fig-5

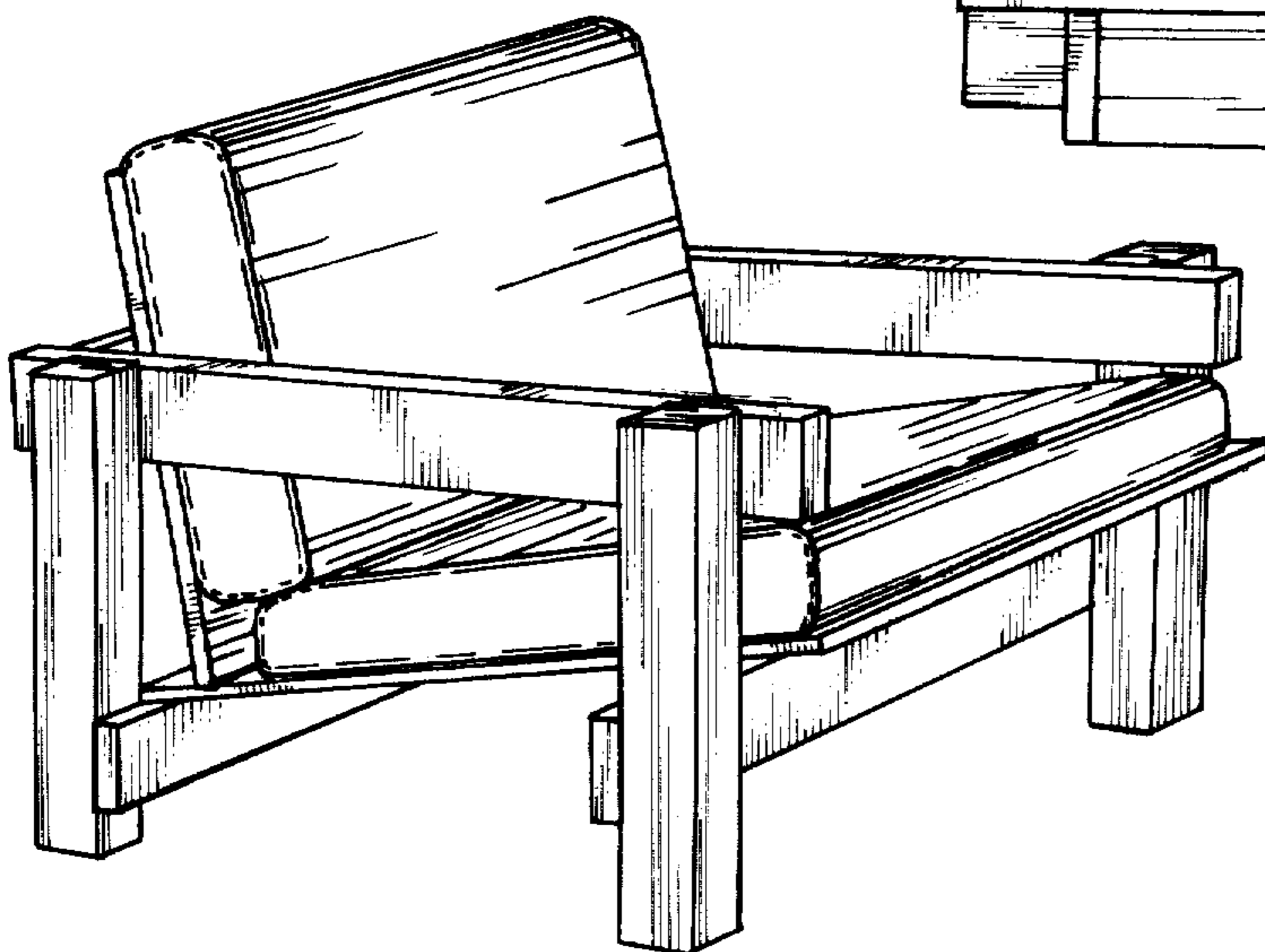


Fig-6

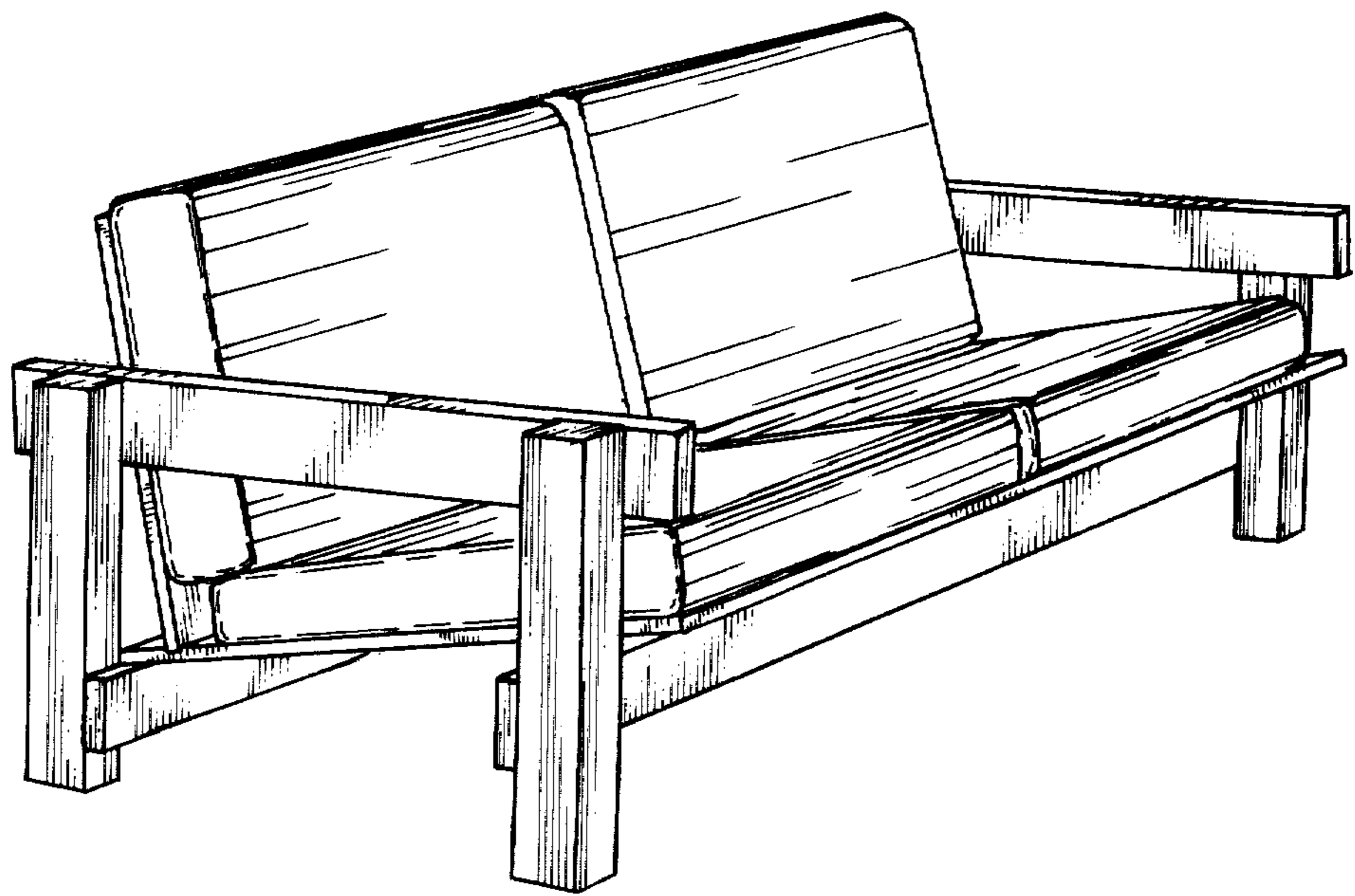


Fig-7

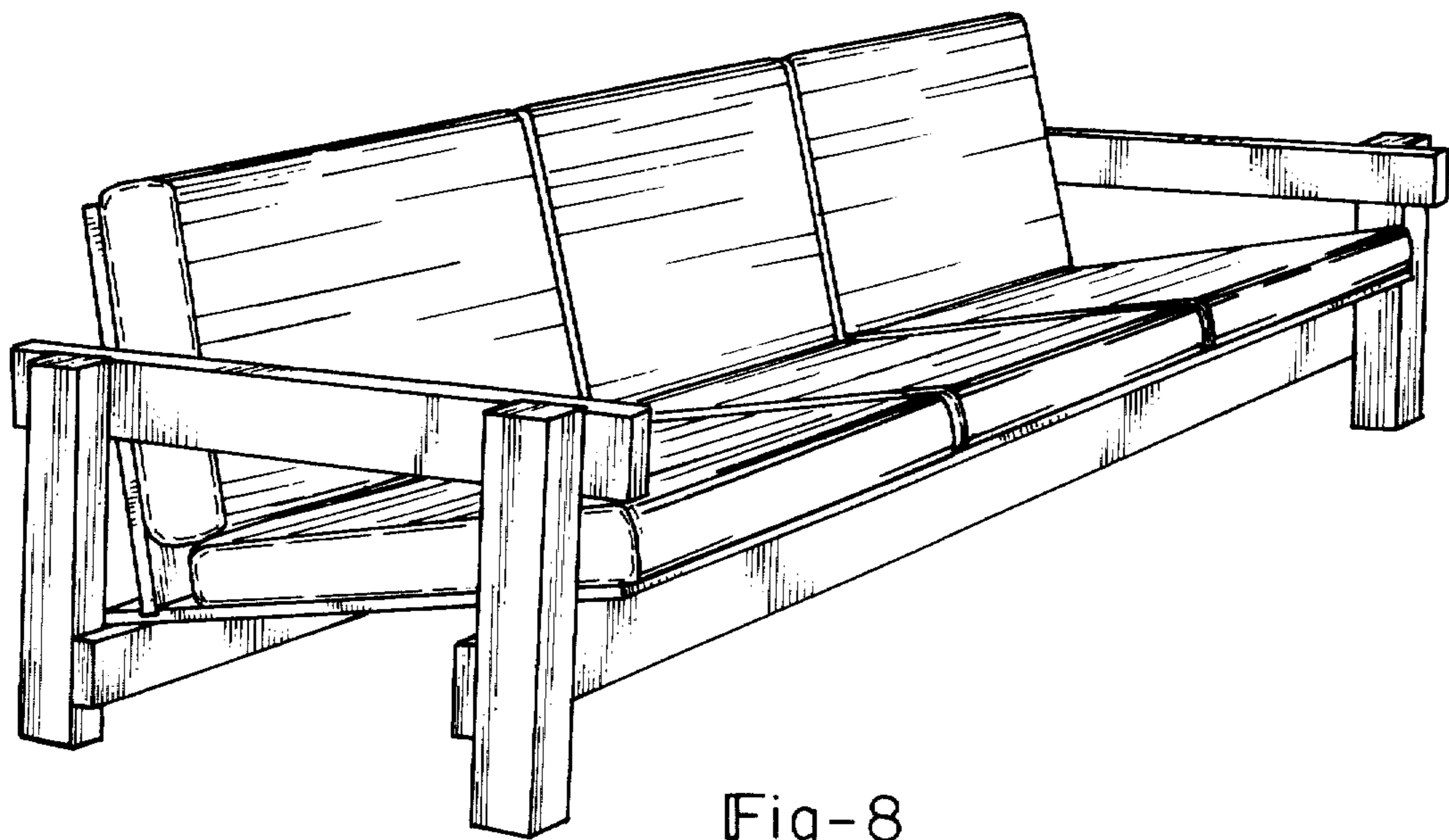


Fig-8