

[54] MUSICAL DRUM

[76] Inventors: **Albert J. Clements; Thomas F. Clements**, both of 1847 Rush Road, Wickliffe, Ohio 44092

[**] Term: **14 Years**

[21] Appl. No.: **523,699**

[22] Filed: **Nov. 14, 1974**

[51] Int. Cl. **D17-04**

[52] U.S. Cl. **D56/1 E**

[58] Field of Search **D56/1 R, 1 E; D23/40**

[56] **References Cited**

U.S. PATENT DOCUMENTS

3,603,194 9/1971 North 84/411
D185,097 5/1959 Piskos D56/1 E

OTHER PUBLICATIONS

Mueller Brass Co., Port Huron, Mich., Form S-10-25, Cat. S-359, "Streamline Plumbing and Heating Products," Recv'd. U.S. Pat. Ofc. 10-59, p. 6, item No. CE-100 and p. 50, item No. WE-553.

Grossman Music Corp. Counter Cat. 68, copyright 1967, p. 33, bottom right corner item, Nos. 3953 and 3963.

Primary Examiner—Joel Stearman
Attorney, Agent, or Firm—Albert J. Clements

[57] **CLAIM**

The ornamental design for a musical drum, substantially as shown and described.

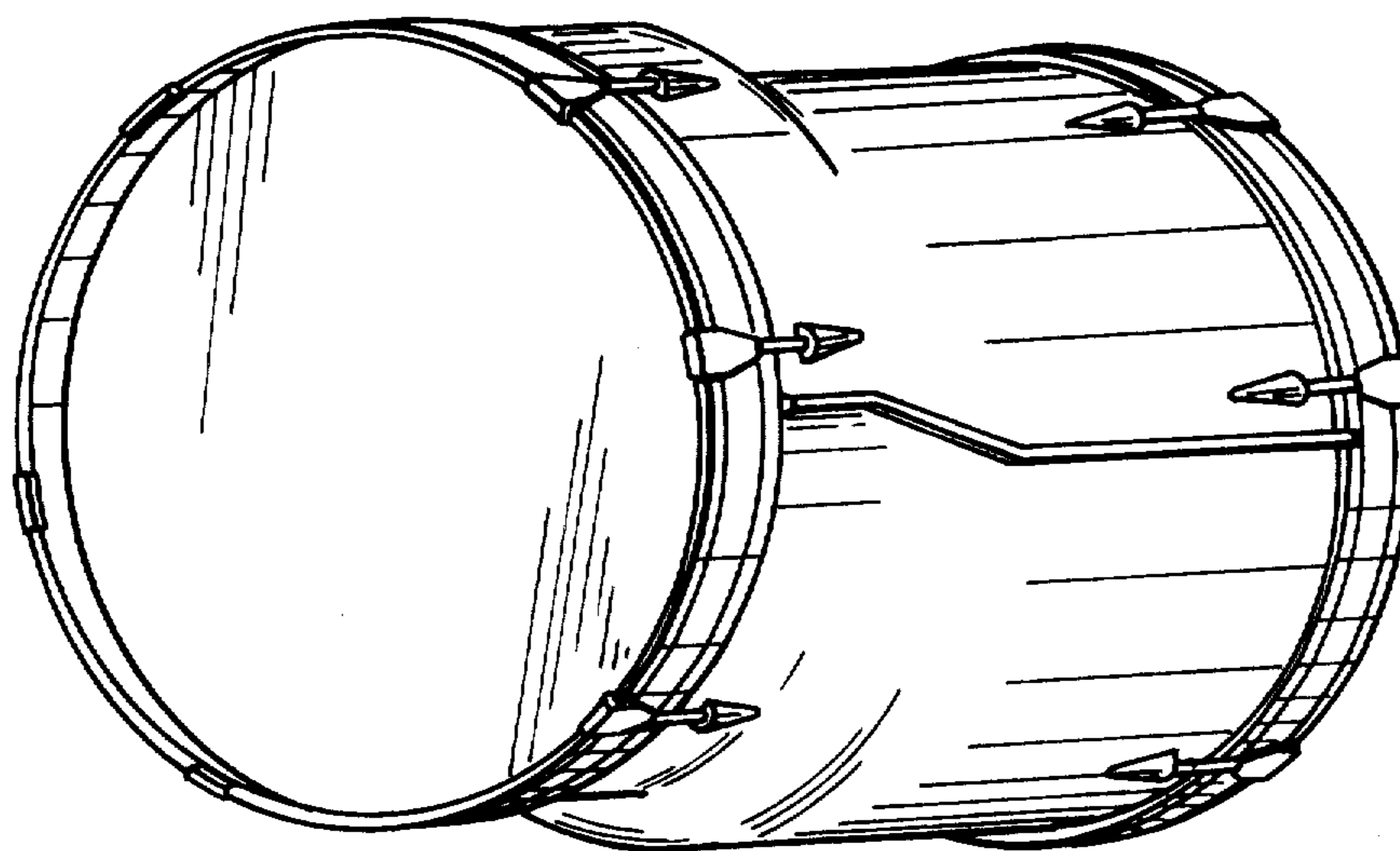
DESCRIPTION

FIG. 1 is a top, front and right side perspective view of a musical drum showing our new design;

FIG. 2 is a front elevational view; and

FIG. 3 is a right side elevational view.

The rear of the drum as seen in elevation would be identical to FIG 2 inverted.



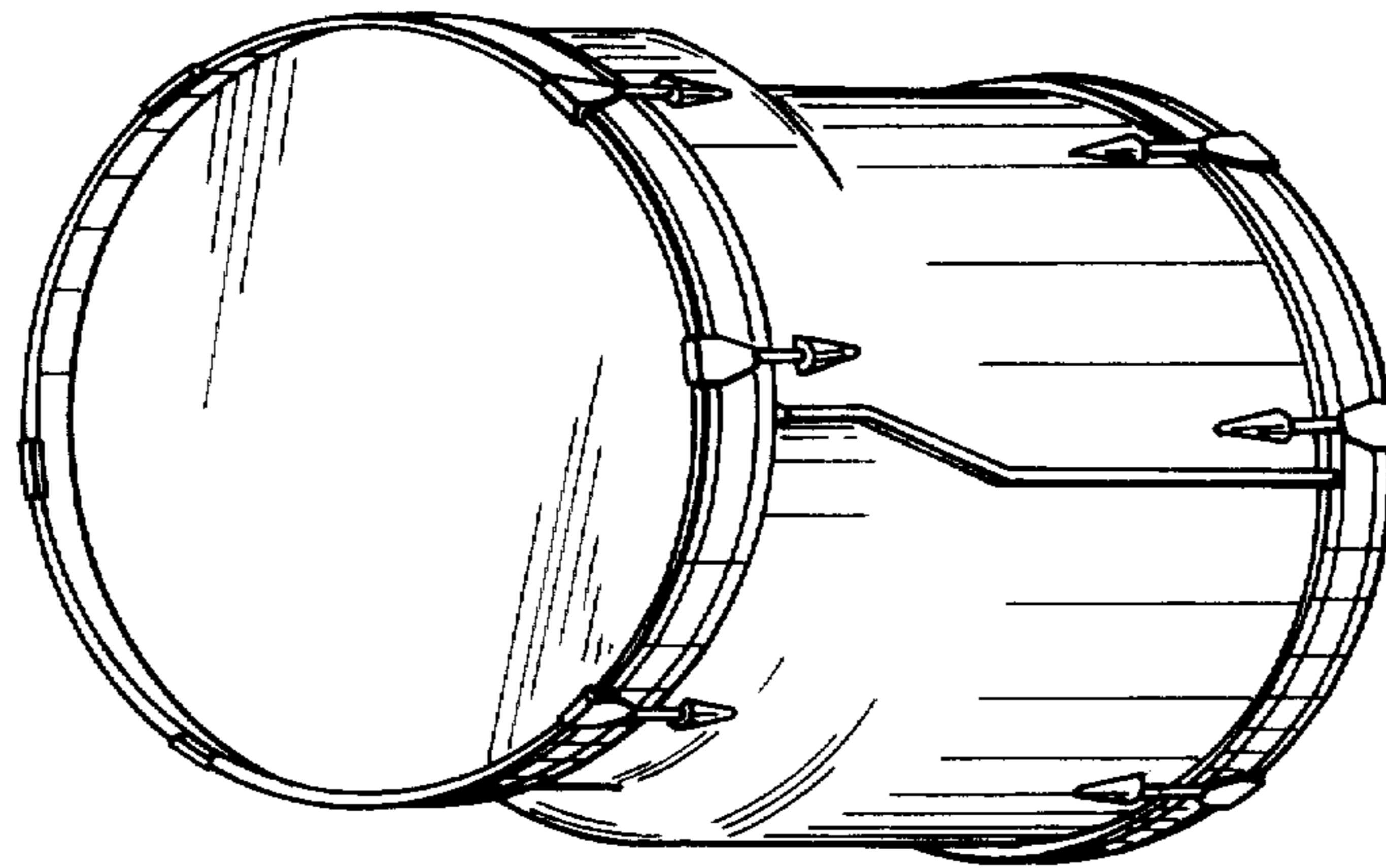


Fig. 1

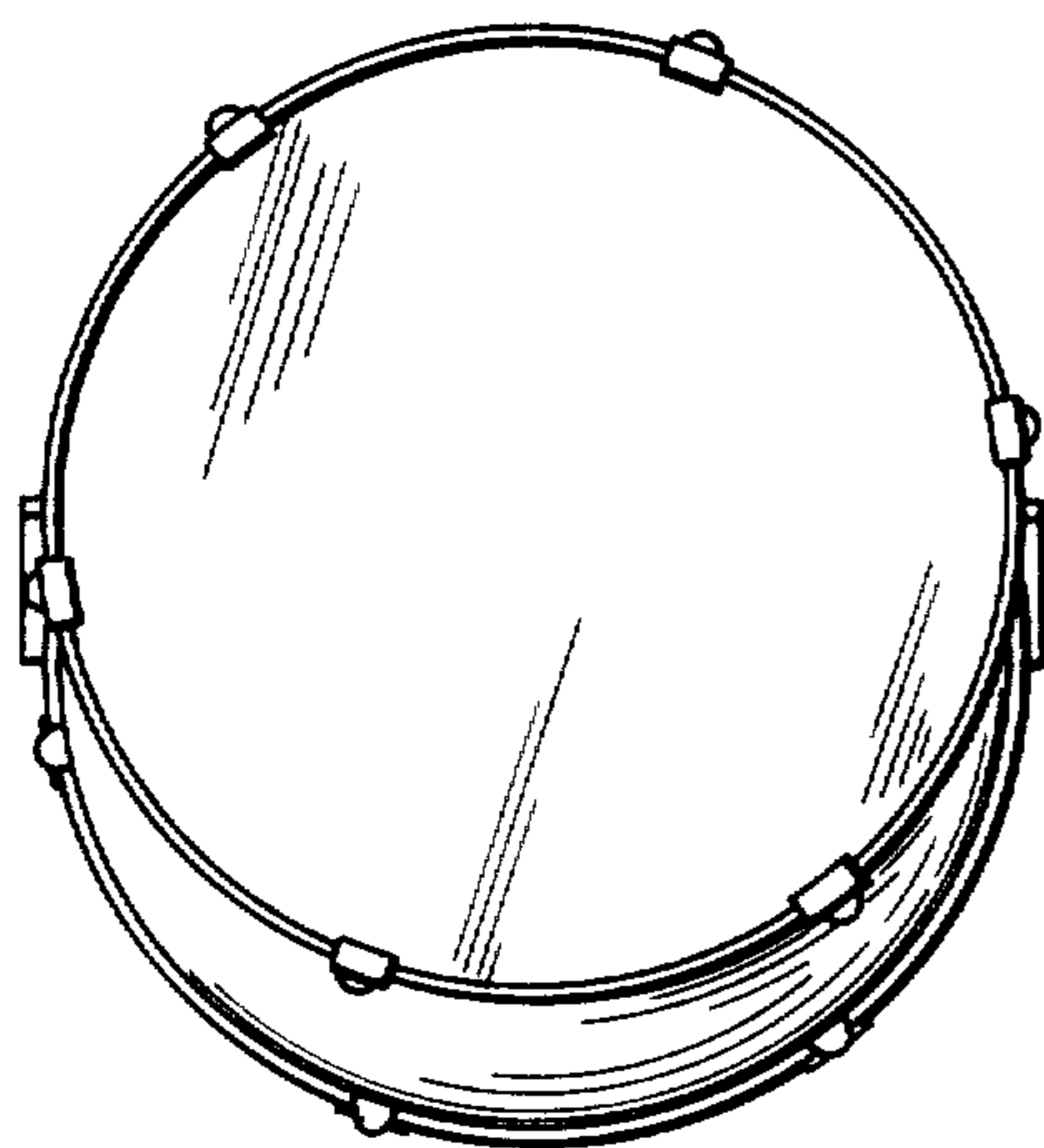


Fig. 2

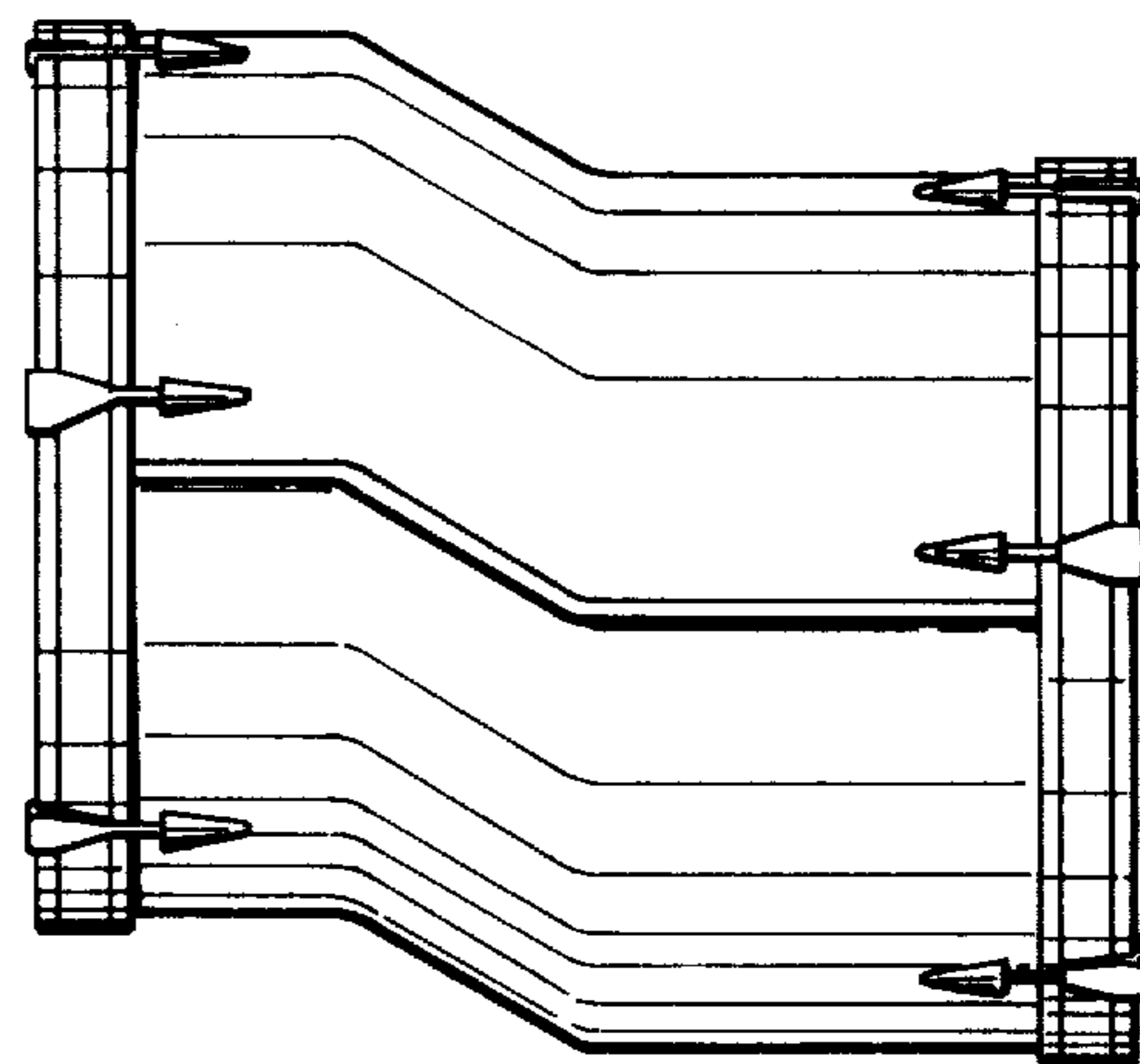


Fig. 3