

United States Patent [19]

Magnusson

[11] Des. 242,871

[45]** Dec. 28, 1976

- [54] **HAMMER PISTON FOR VALVELESS PNEUMATIC IMPACT DEVICE**
- [75] **Inventor:** Karl August Valdemar Magnusson, Saltsjo-Boo, Sweden
- [73] **Assignee:** Atlas Copco Aktiebolag, Nacka, Sweden
- [**] **Term:** 14 Years
- [21] **Appl. No.:** 588,584
- [22] **Filed:** June 19, 1975
- [30] **Foreign Application Priority Data**
Dec. 23, 1974 Sweden 74002134
- [51] **Int. Cl.** D15-99
- [52] **U.S. Cl.** D15/199
- [58] **Field of Search** D55/1 H; 92/110, 109; 173/134, 135, 137

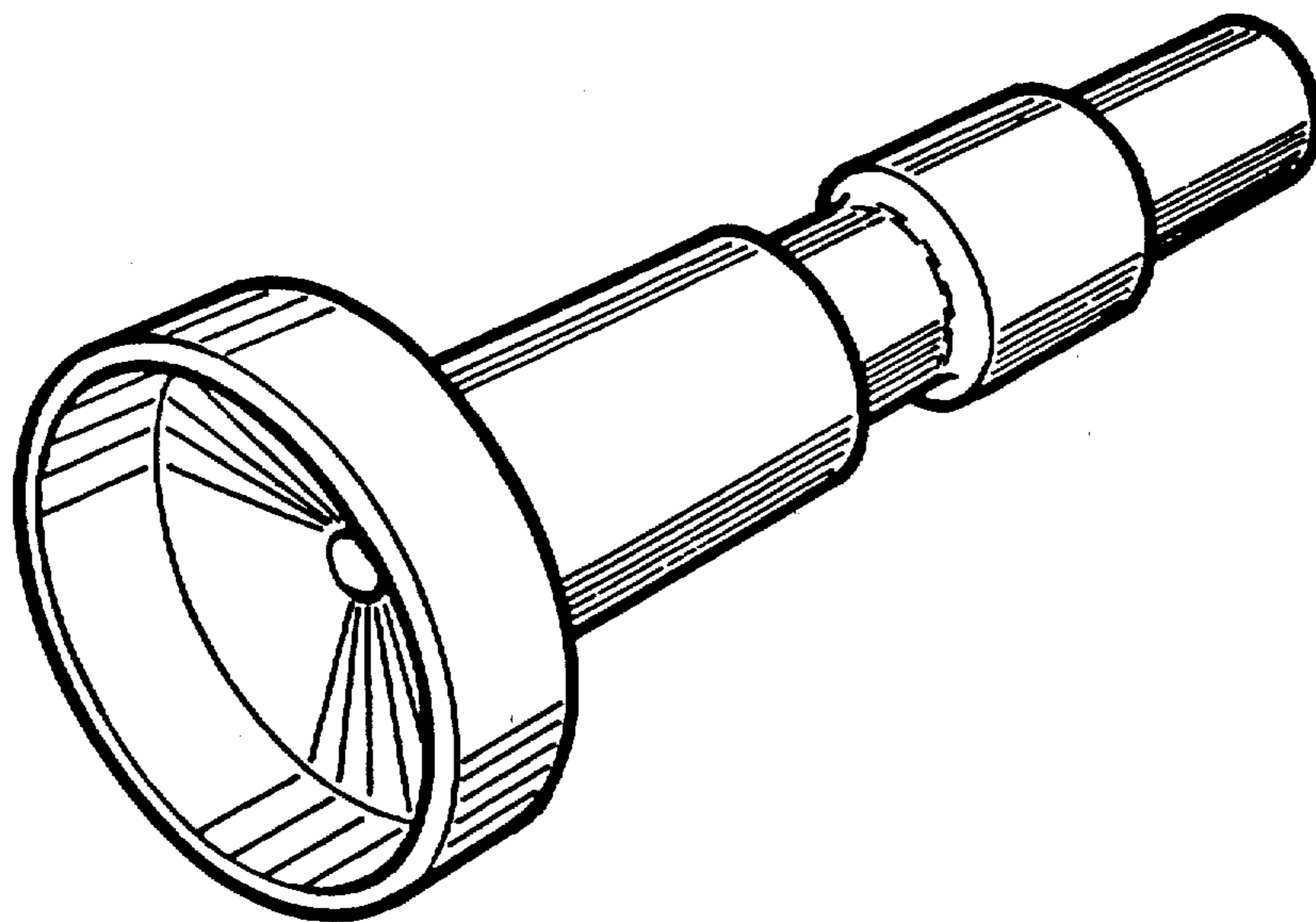
- [56] **References Cited**
U.S. PATENT DOCUMENTS
2,694,383 11/1954 Larcen 92/110

Primary Examiner—Alan P. Douglas
Attorney, Agent, or Firm—Robert D. Flynn

- [57] **CLAIM**
The ornamental design for hammer piston for valveless pneumatic impact device, as shown.

DESCRIPTION

FIG. 1 is a perspective front view of a hammer piston for valveless pneumatic impact device; and FIG. 2 is a rear perspective view thereof.



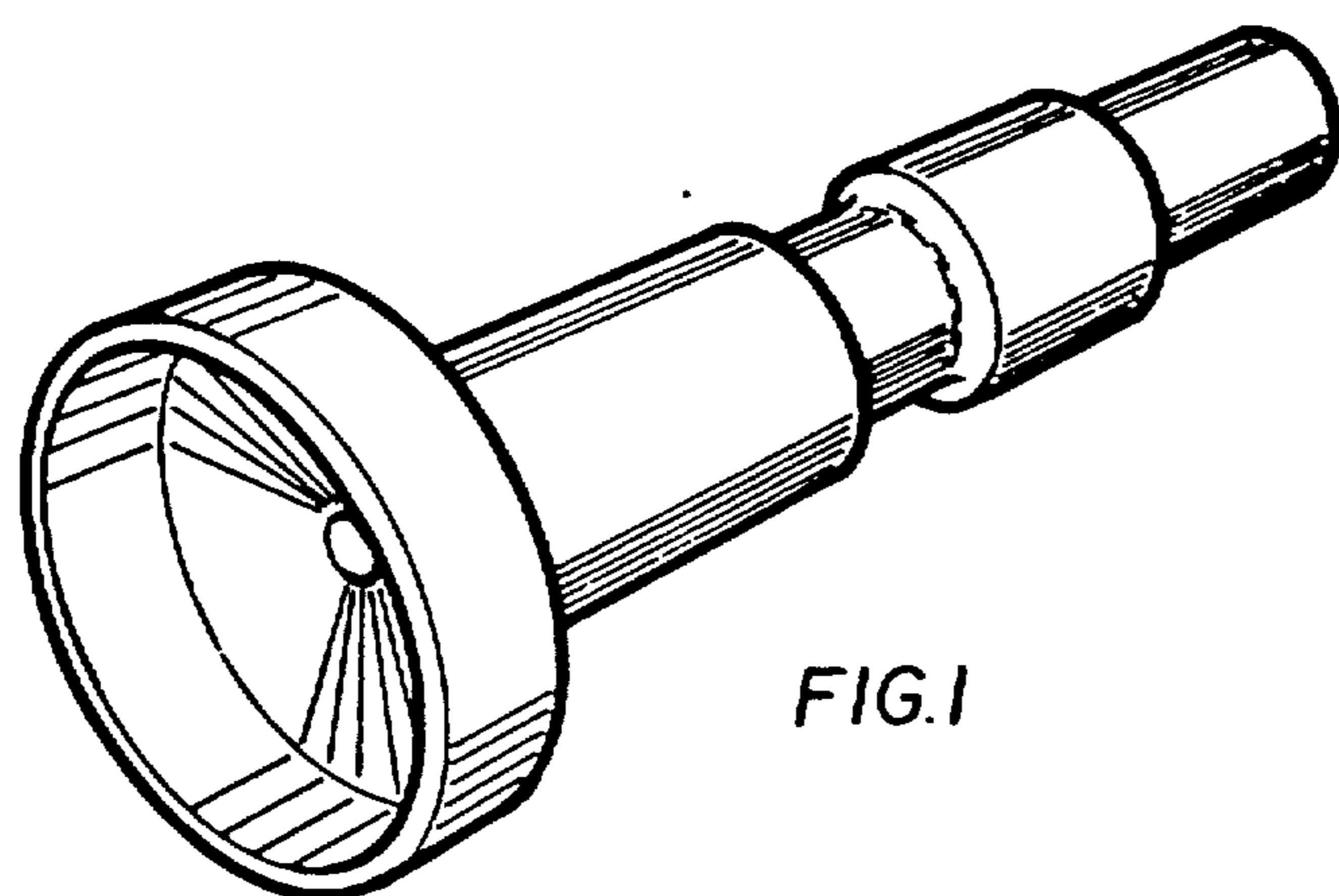


FIG. 1

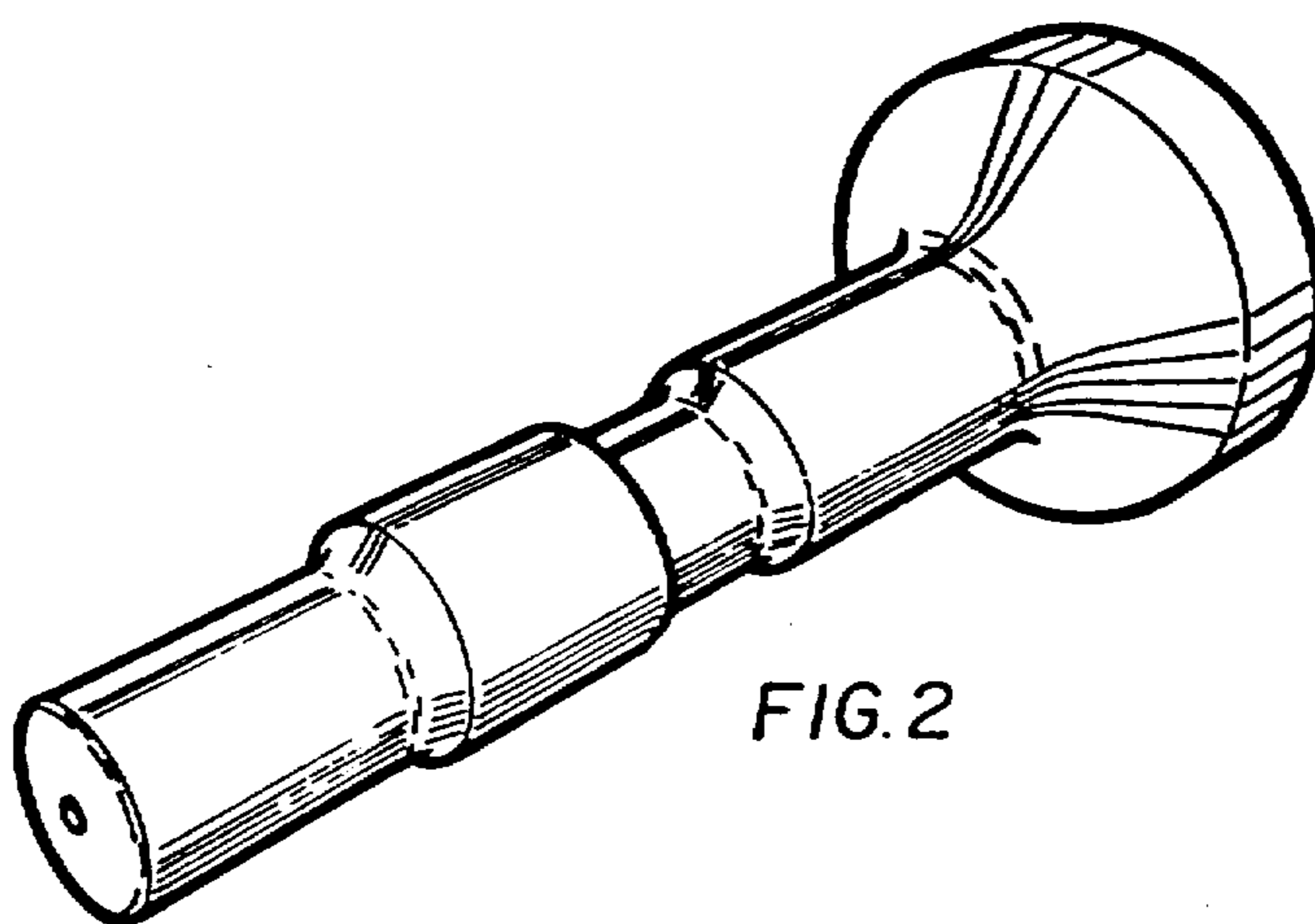


FIG. 2