

[54] FUME HOOD

[75] Inventor: Arthur W. Carlson, Muskegon, Mich.

[73] Assignee: E. H. Sheldon and Company, Muskegon, Mich.

[**] Term: 14 Years

[21] Appl. No.: 535,172

[22] Filed: Dec. 23, 1974

[51] Int. Cl. D23-04

[52] U.S. Cl. D23/151

[58] Field of Search D23/97, 139, 151; 98/115 LH

[56] References Cited

U.S. PATENT DOCUMENTS

3,049,069	8/1962	Whiston	98/115 LH
3,368,523	2/1968	Becker	98/115 LH
3,505,945	4/1970	Greer	98/115 LH
D214,376	6/1969	Sullivan	D23/151

Primary Examiner—Wallace R. Burke
Assistant Examiner—B. J. Bullock
Attorney, Agent, or Firm—Howson, Tilton, Fallon & Lungmus

[57] CLAIM

The ornamental design for a fume hood, as shown and described.

DESCRIPTION

FIG. 1 is a perspective view of a fume hood showing my new design, with two of the panels in the raised position and a stand shown in broken line for illustrative purposes only;
FIG. 2 is a front elevational view thereof with a panel in the lowered position;
FIG. 3 is a rear elevational view thereof with the panels lowered;
FIG. 4 is a plan view thereof;
FIG. 5 is a bottom view thereof;
FIG. 6 is a side elevational view thereof taken from the left of FIG. 2, with the panel lowered; and
FIG. 7 is a side elevational view thereof taken from the right of FIG. 2, with the panel lowered.

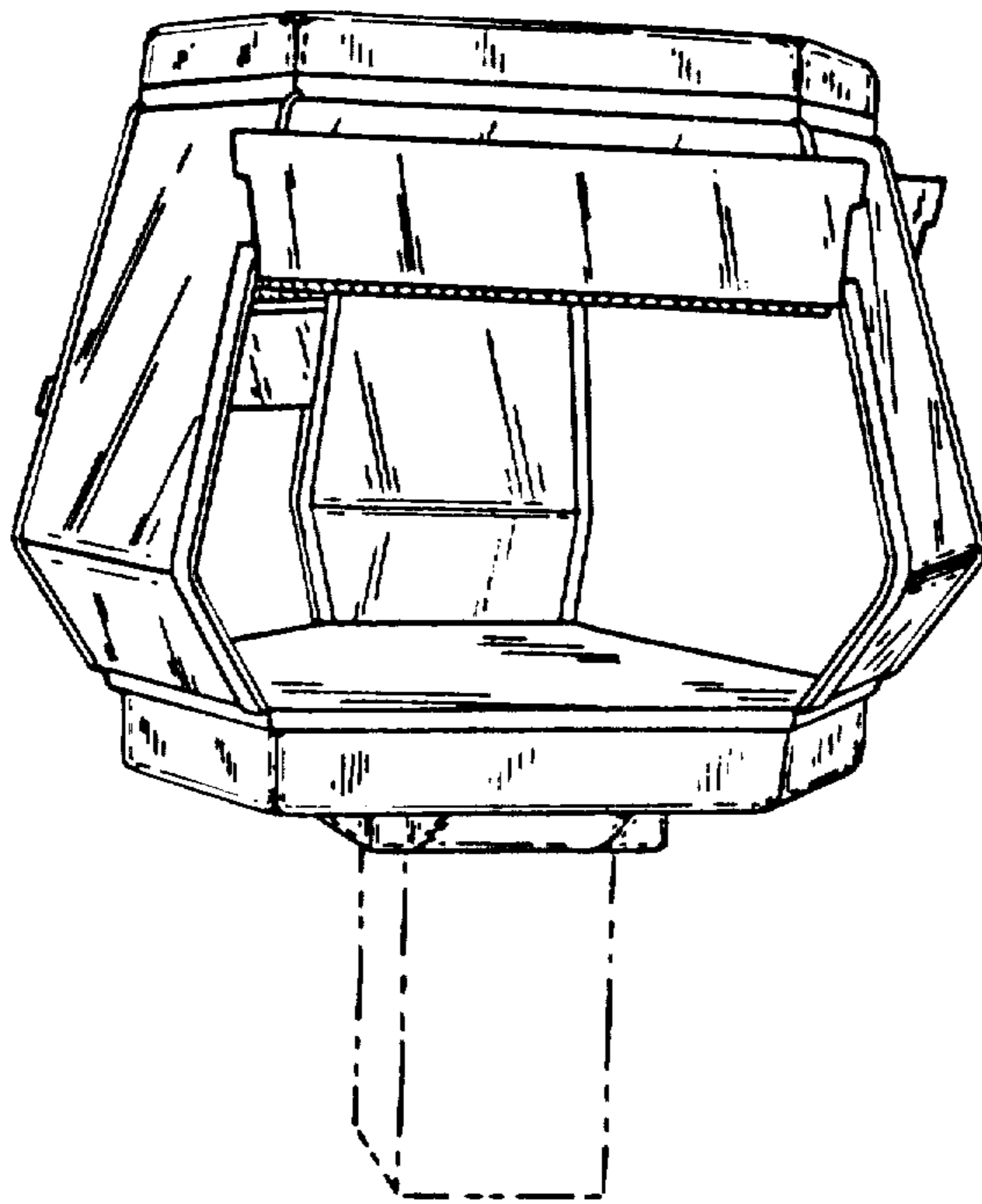


Fig. 1

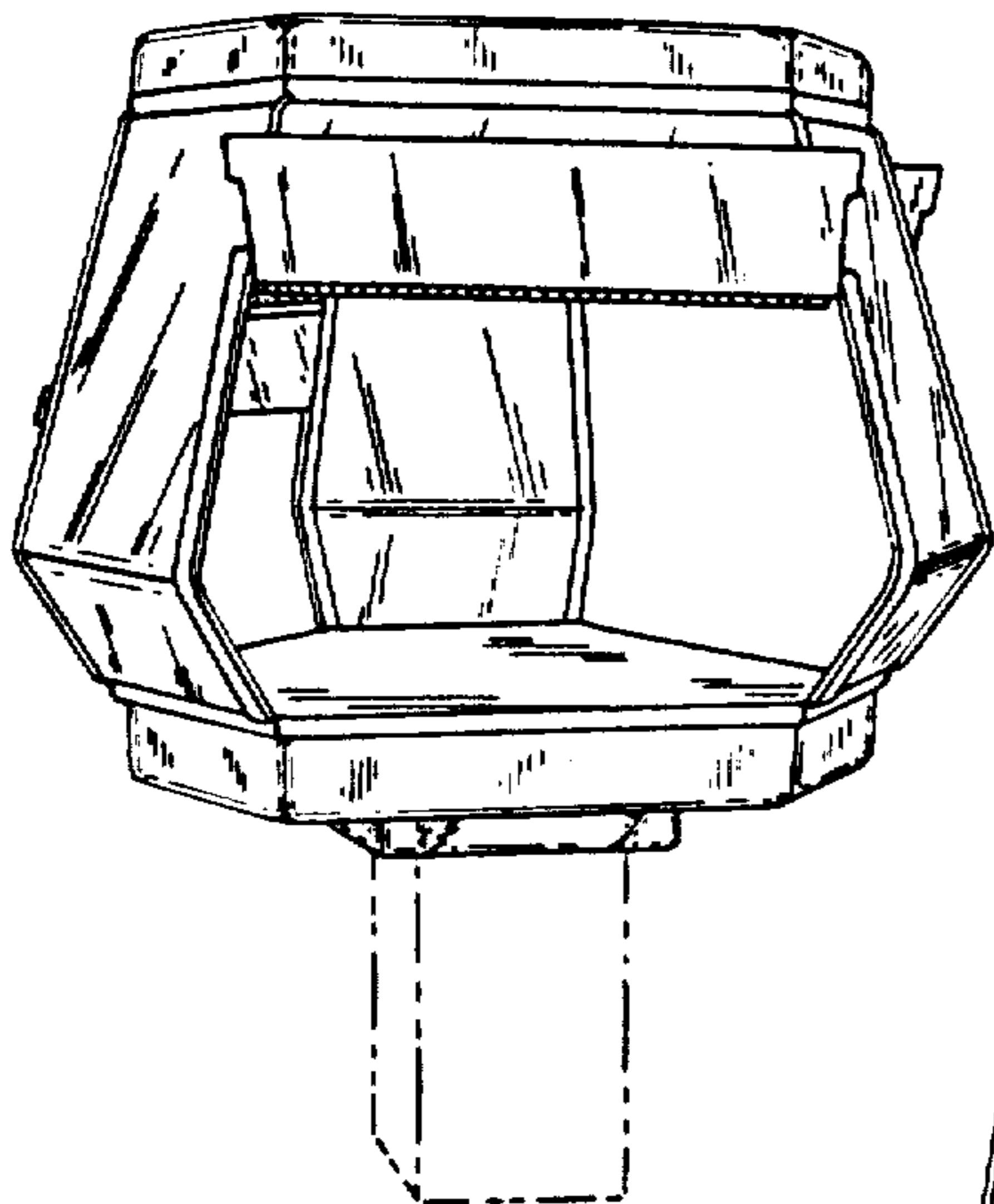


Fig. 2

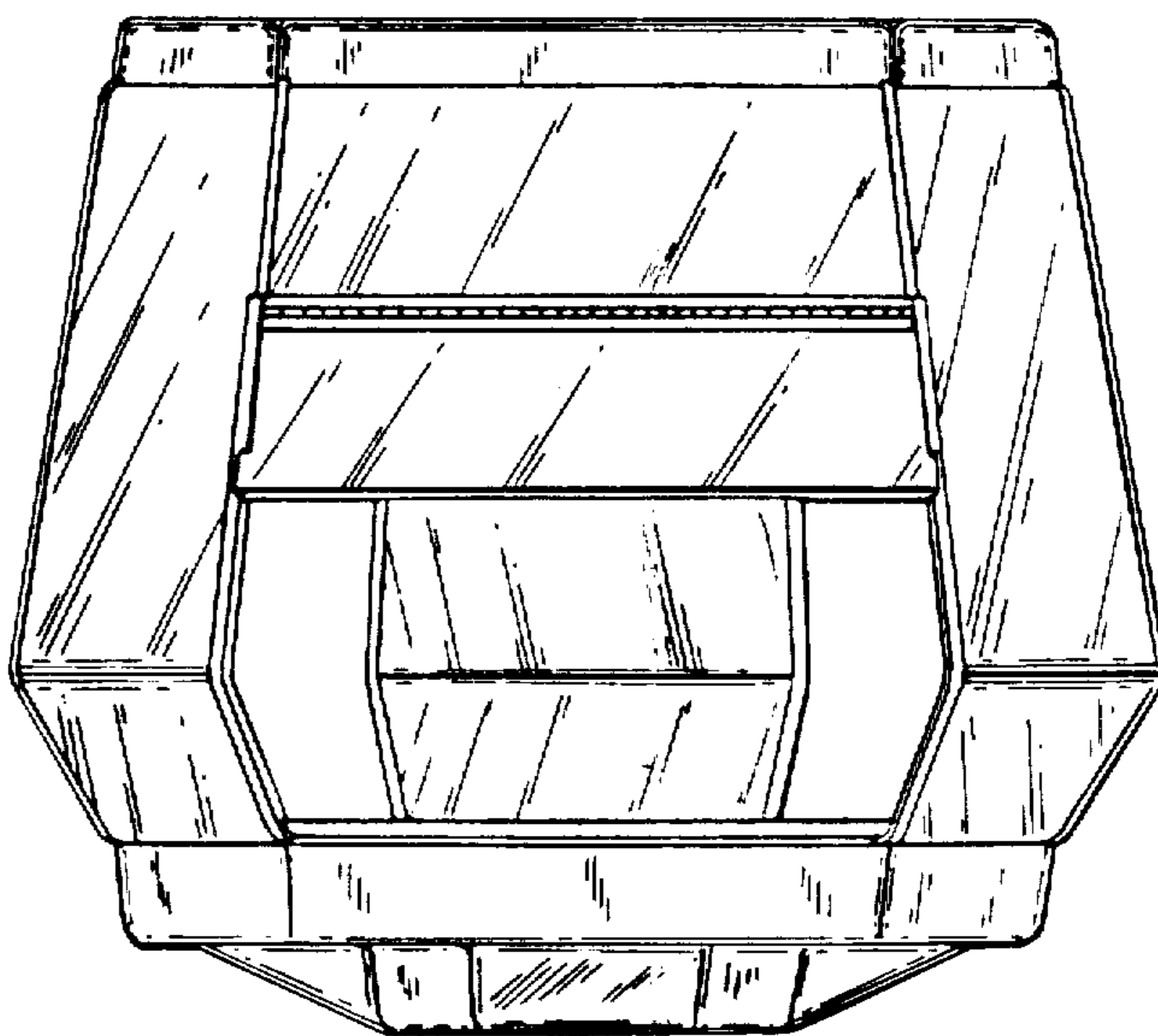
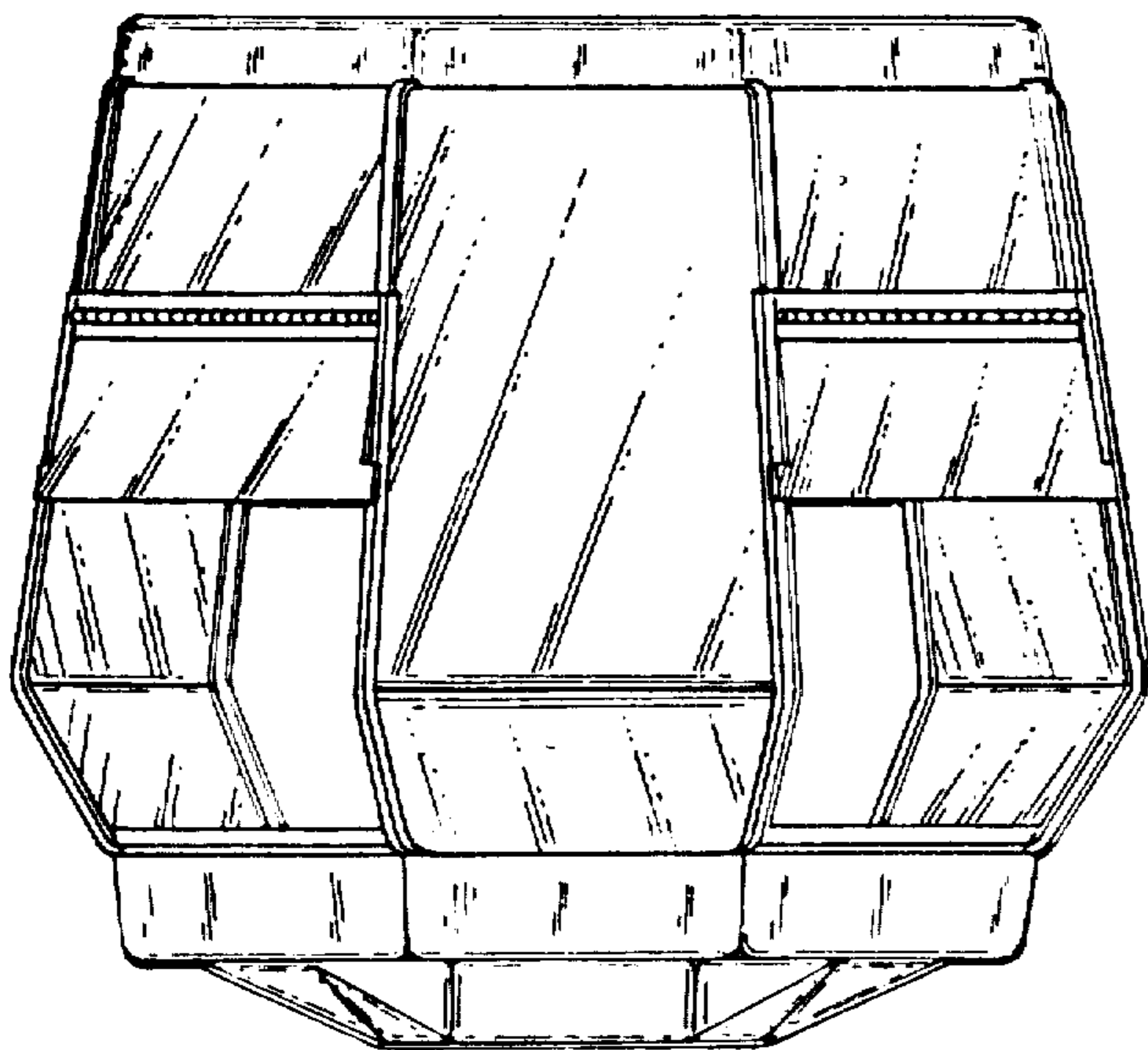


Fig. 3



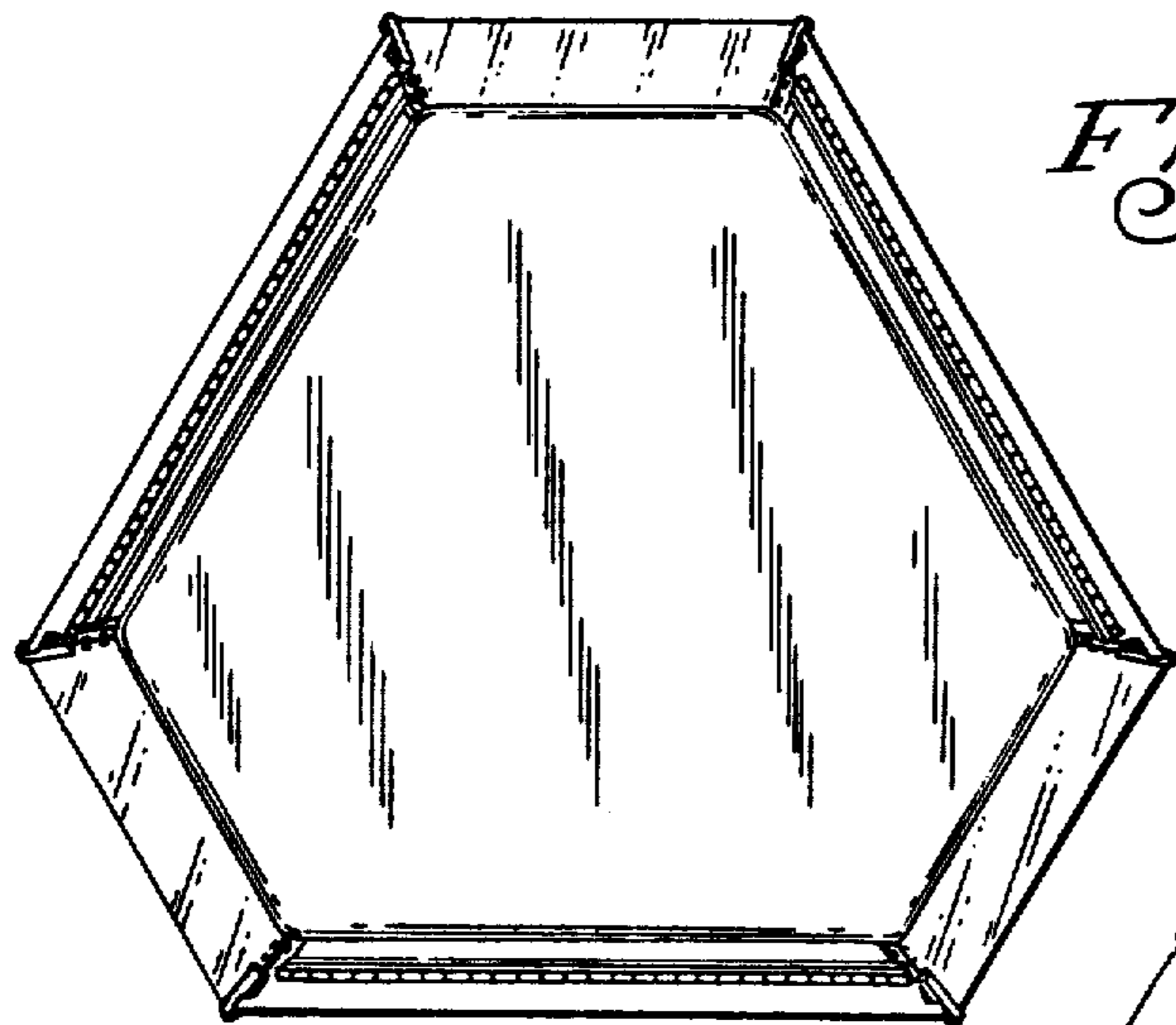


Fig. 4

Fig. 5

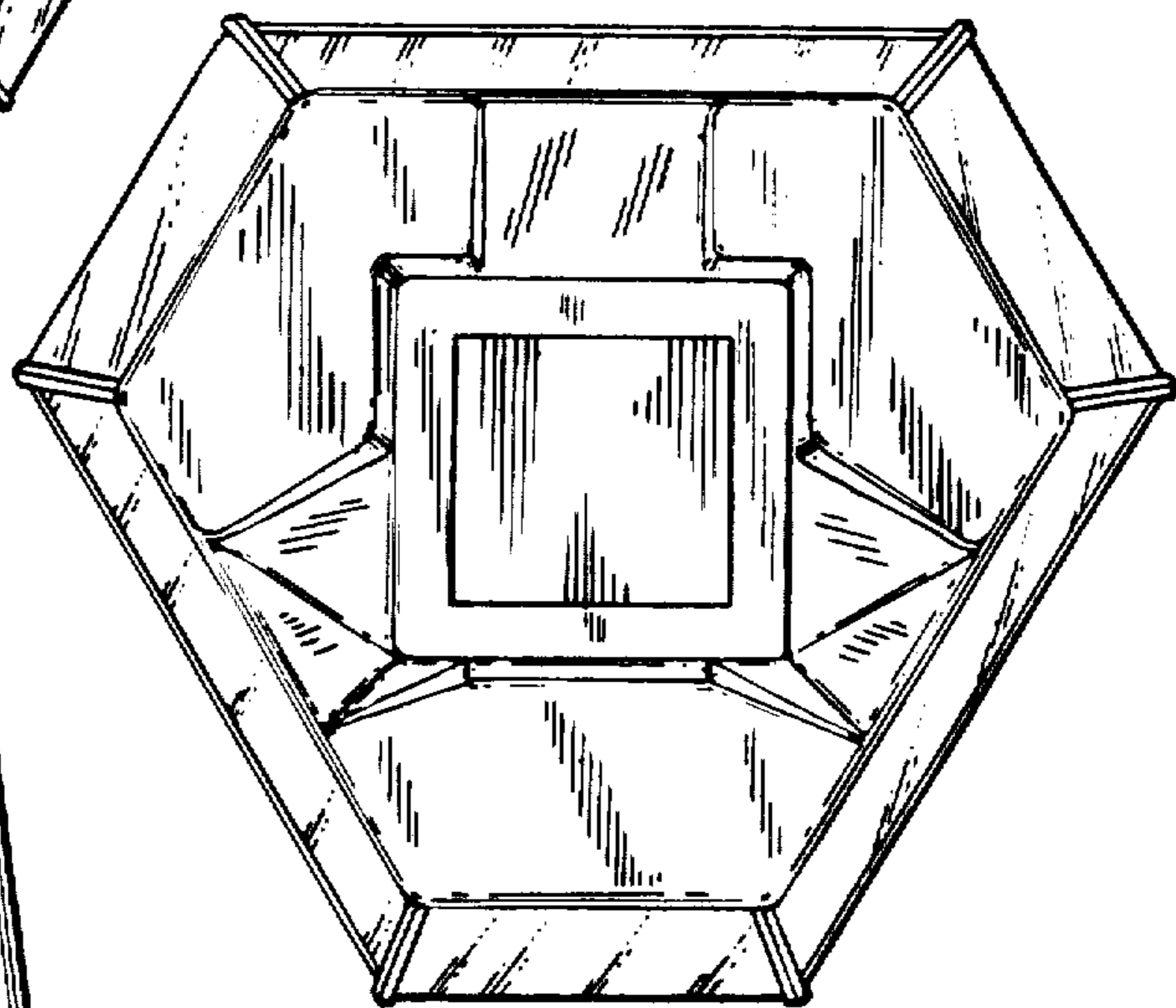


Fig. 6

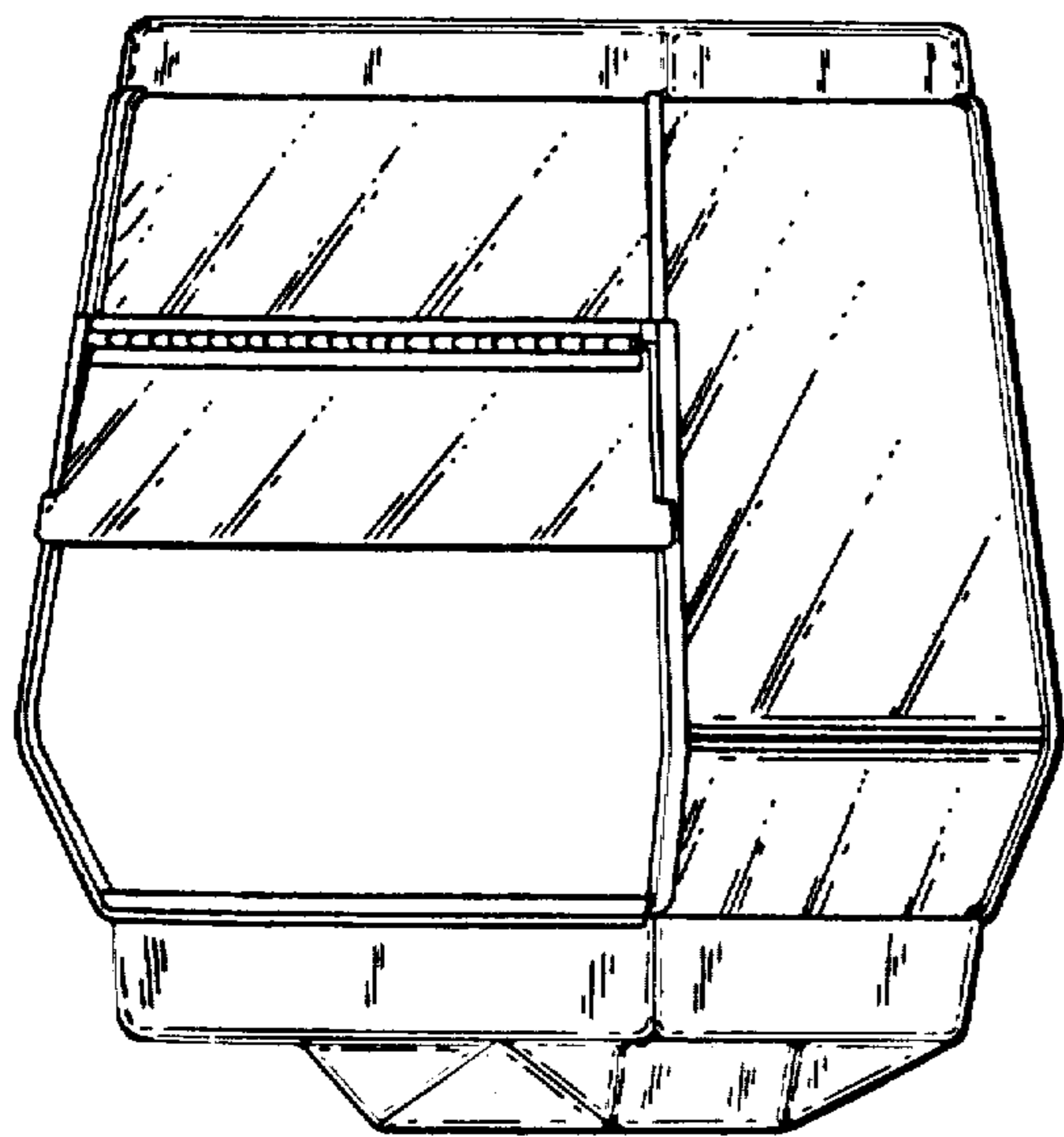


Fig. 7

