

[54] HEATING STOVE
 [76] Inventors: **Ralph F. Sutterby; David W. Sutterby**, both of R.D. 2, Sterling, N.Y. 13156
 [**] Term: **14 Years**
 [21] Appl. No.: **570,874**
 [22] Filed: **Apr. 23, 1975**
 [51] Int. Cl. **D23-03**
 [52] U.S. Cl. **D23/119**
 [58] Field of Search D23/72, 73, 77, 78, D23/93-97, 105-108, 110, 111, 119-224, 127, 130, 135; 126/58, 62, 120, 121

[56] **References Cited**
U.S. PATENT DOCUMENTS
 51,085 11/1865 Rathbone et al. 126/58
 51,424 12/1865 Chilson 126/58

904,188 11/1908 Engle 23/93
 D104,249 4/1937 Forster D23/110

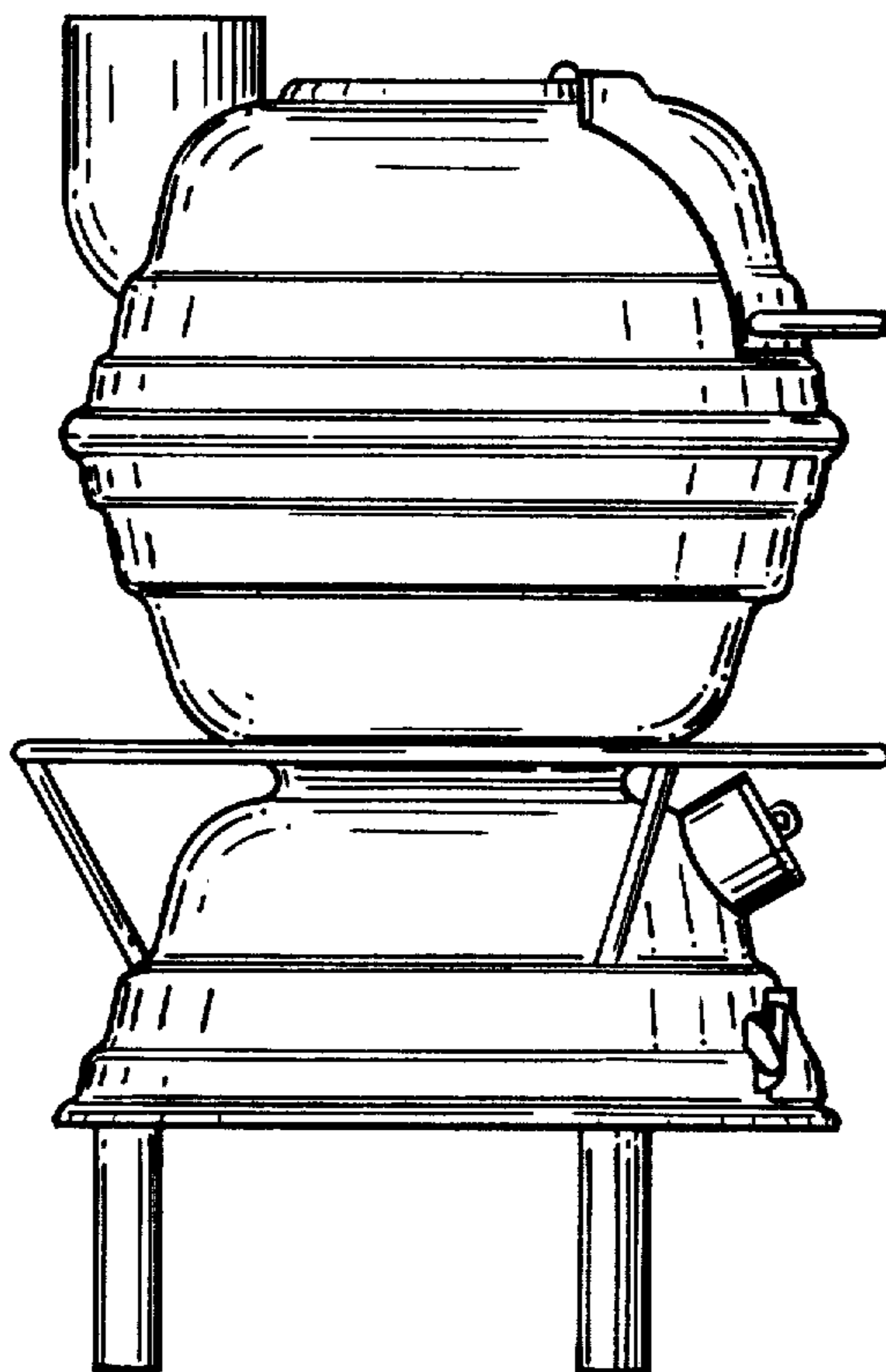
Primary Examiner—Wallace R. Burke
Assistant Examiner—B. J. Bullock
Attorney, Agent, or Firm—Richard von K. Bruns

[57] **CLAIM**

The ornamental design for a heating stove, as shown.

DESCRIPTION

FIG. 1 is a front elevation of a heating stove embodying our new design;
 FIG. 2 is a left side elevation thereof, the right side elevation being a mirror image except for the ash door latch and hinge;
 FIG. 3 is a top plan view thereof;
 FIG. 4 is a bottom plan view thereof; and
 FIG. 5 is a rear elevation thereof.



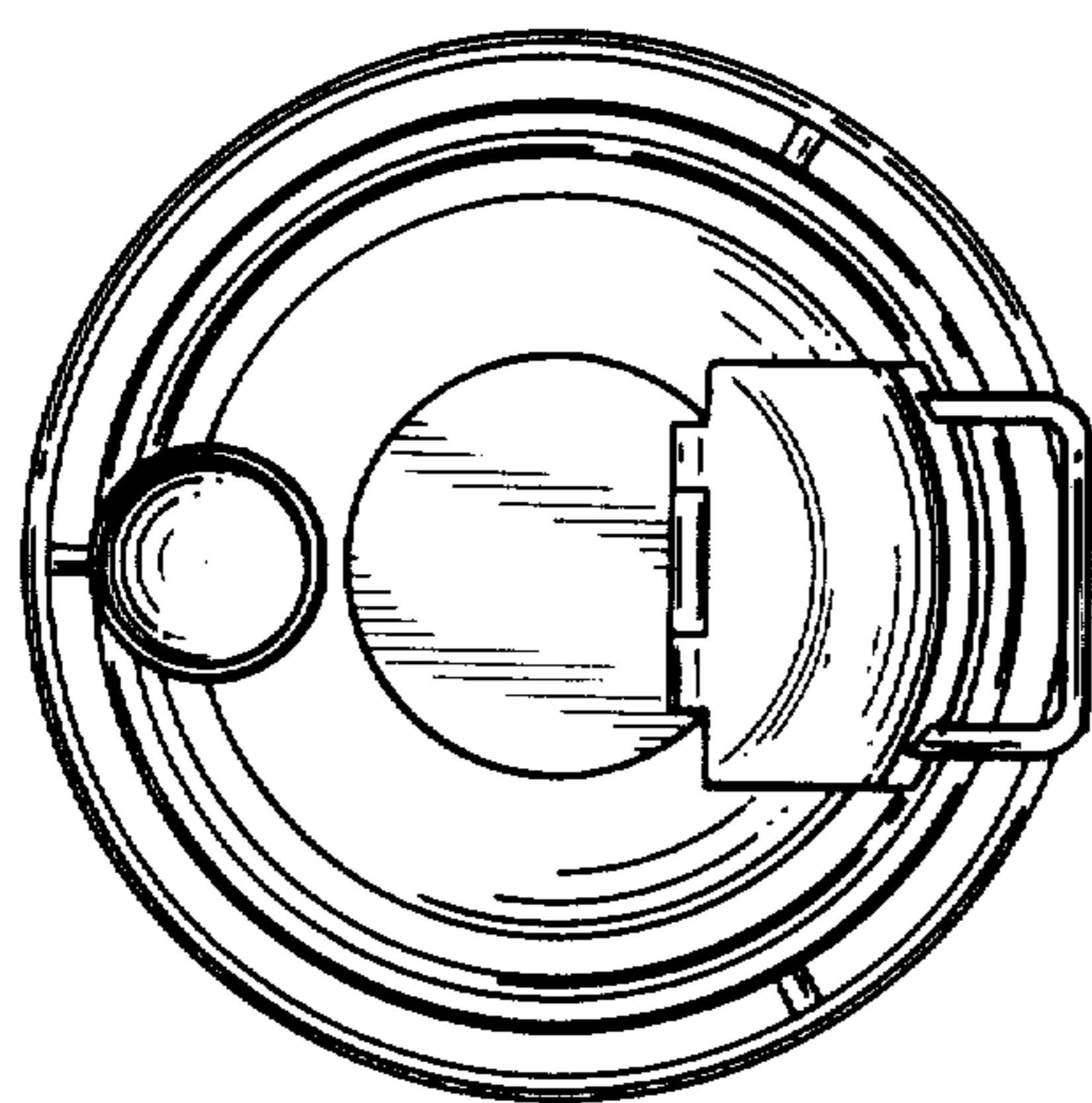


Fig. 3

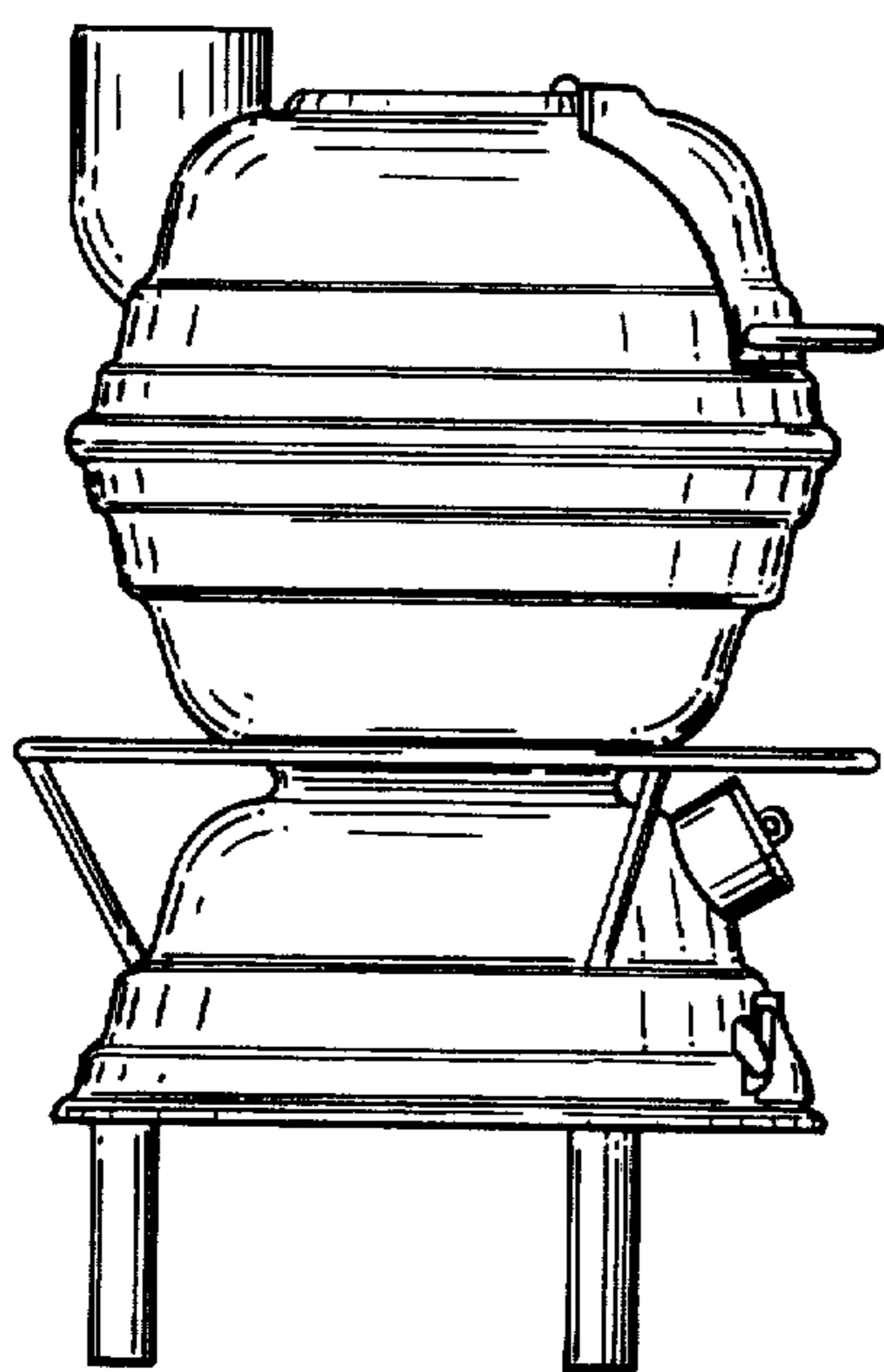


Fig. 2

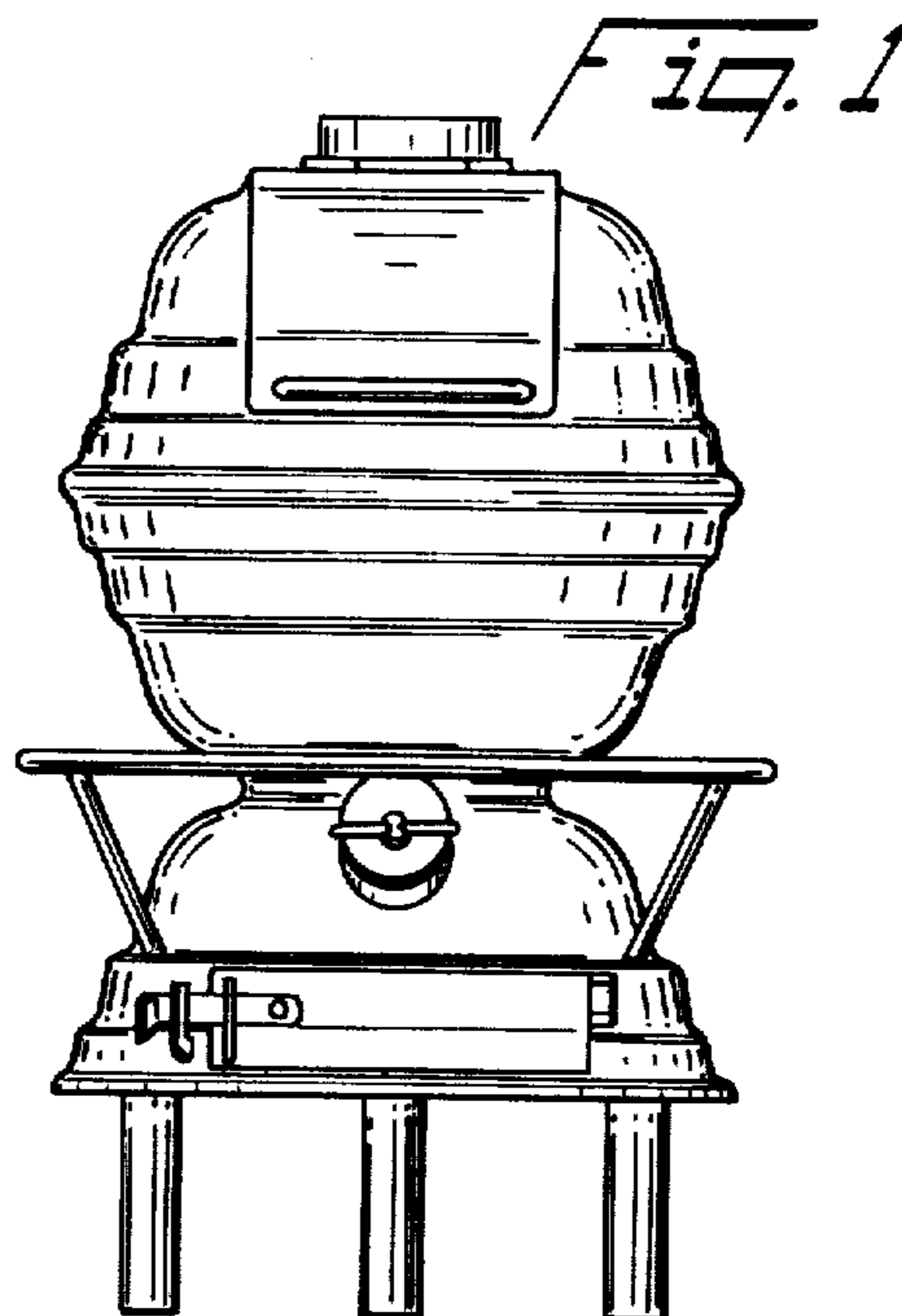


Fig. 1

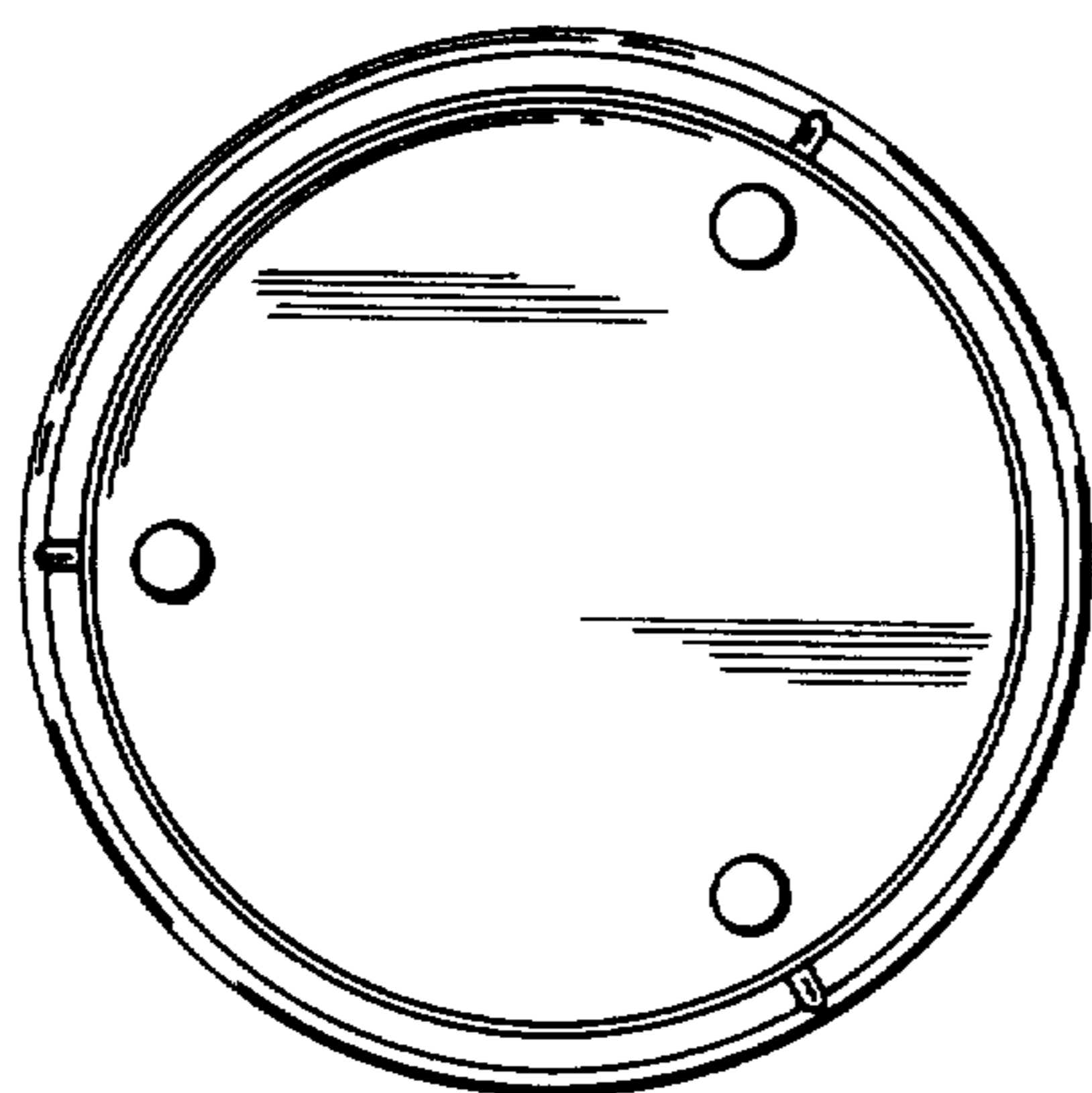


Fig. 4

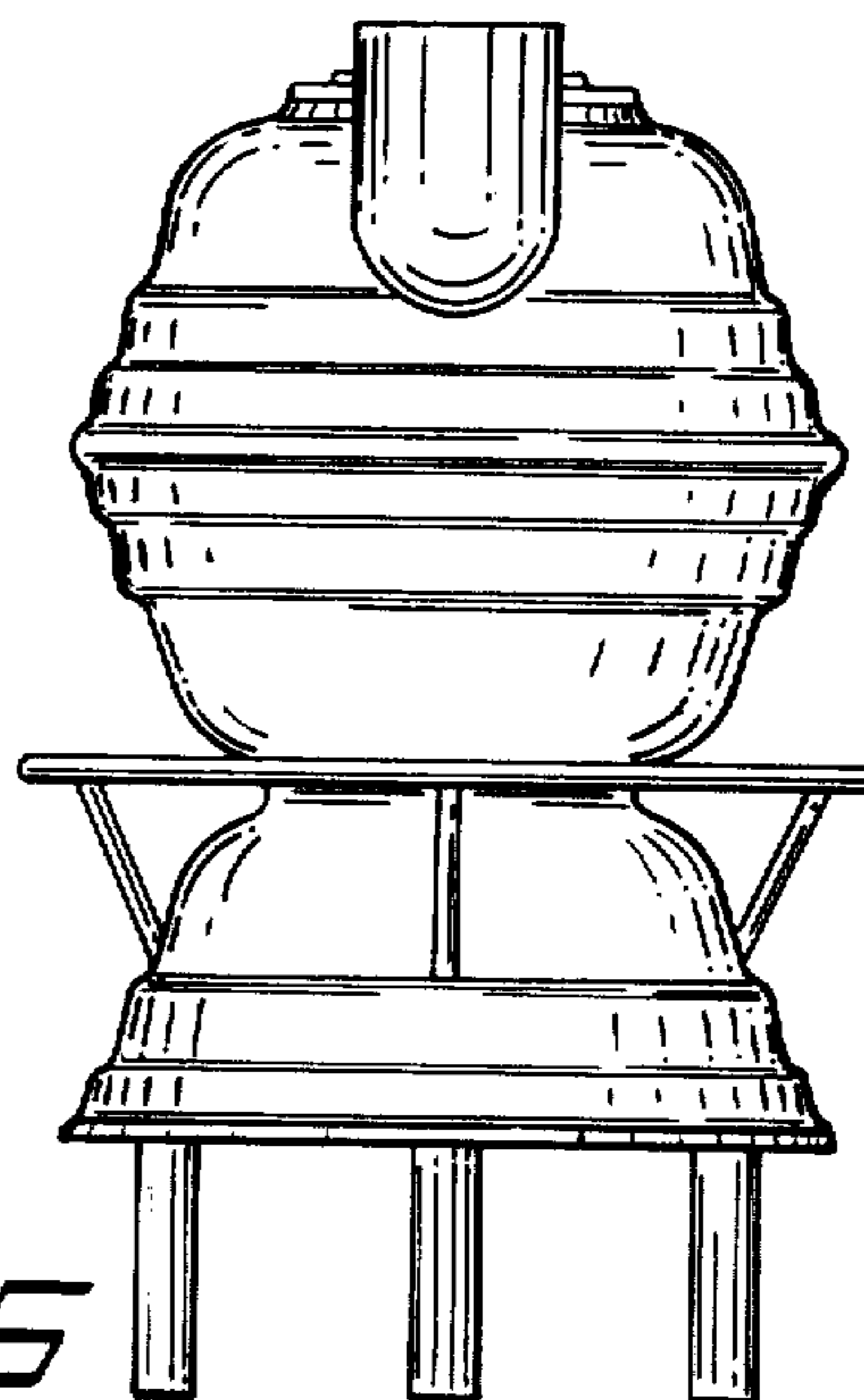


Fig. 5