

[54] **DESK SET BASE**
 [75] **Inventor: Leonard G. Lipic, St. Louis, Mo.**
 [73] **Assignee: Joseph Lipic Pen Company, St. Louis, Mo.**
 [**] **Term: 14 Years**
 [21] **Appl. No.: 317,384**
 [22] **Filed: Dec. 22, 1972**
 [51] **Int. Cl. D19-02**
 [52] **U.S. Cl. D19/84**
 [58] **Field of Search D74/1 C, 2 C, 5 A, 5 B, D74/8, 13 B; D6/140; D96/3, 12 F, 12 J; D40/124, 124.4, 19.5; 273/150, 148 A; D72/1 D**

D148,431 1/1948 Lund D34/13 A
 D170,432 9/1953 Viemcister D72/1 D
 D224,455 7/1972 Oberton D74/5 B

Primary Examiner—Joel Stearman
Assistant Examiner—George P. Word
Attorney, Agent, or Firm—Lionel L. Lucchesi

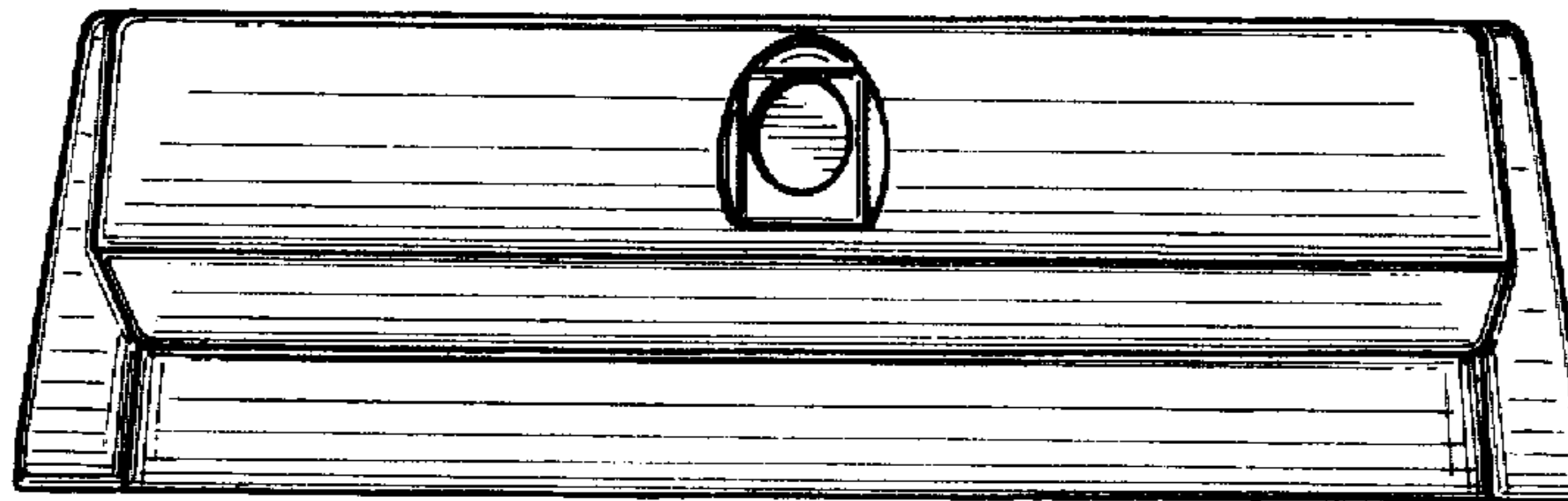
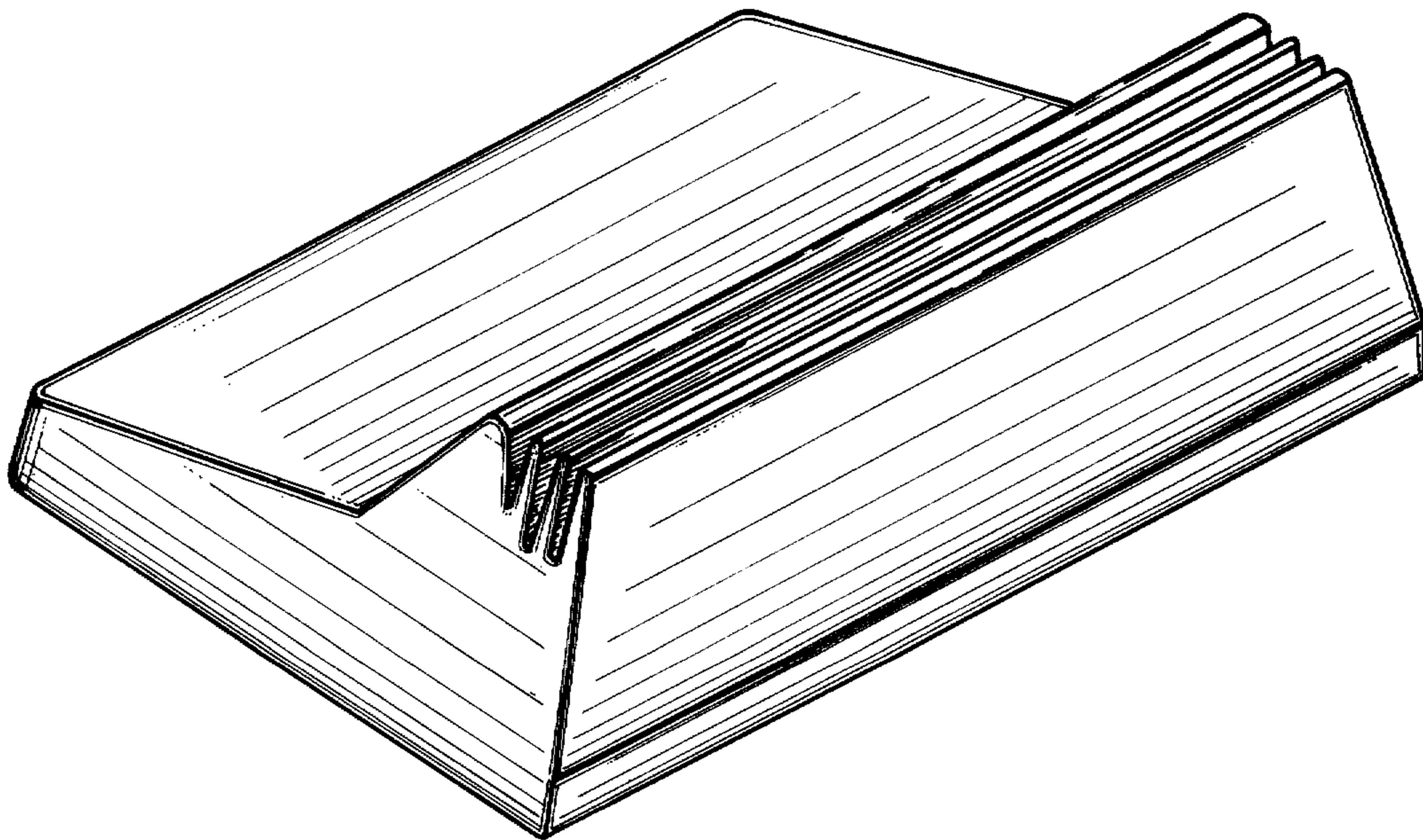
[57] **CLAIM**

The ornamental design for a desk set base, as shown and described.

DESCRIPTION

FIG. 1 is a rear perspective view of a desk set base showing my new design;
 FIG. 2 is a top plan view thereof;
 FIG. 3 is a side elevational view thereof, the opposite side being a mirror image thereto;
 FIG. 4 is a bottom plan view thereof; and
 FIG. 5 is a front elevational view thereof.

[56] **References Cited**
U.S. PATENT DOCUMENTS
 D120,652 5/1940 Posnack D74/1 C



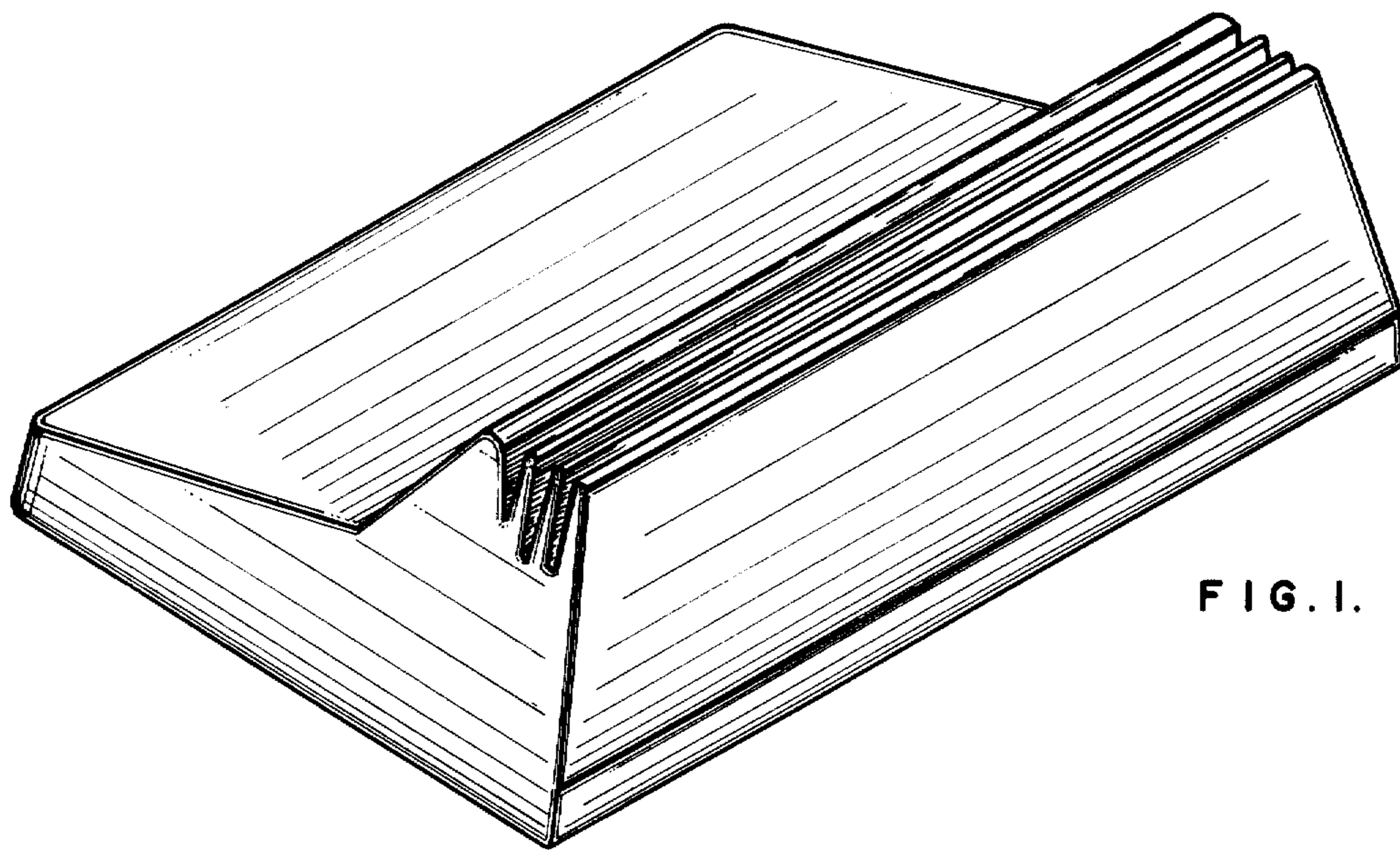


FIG. 1.

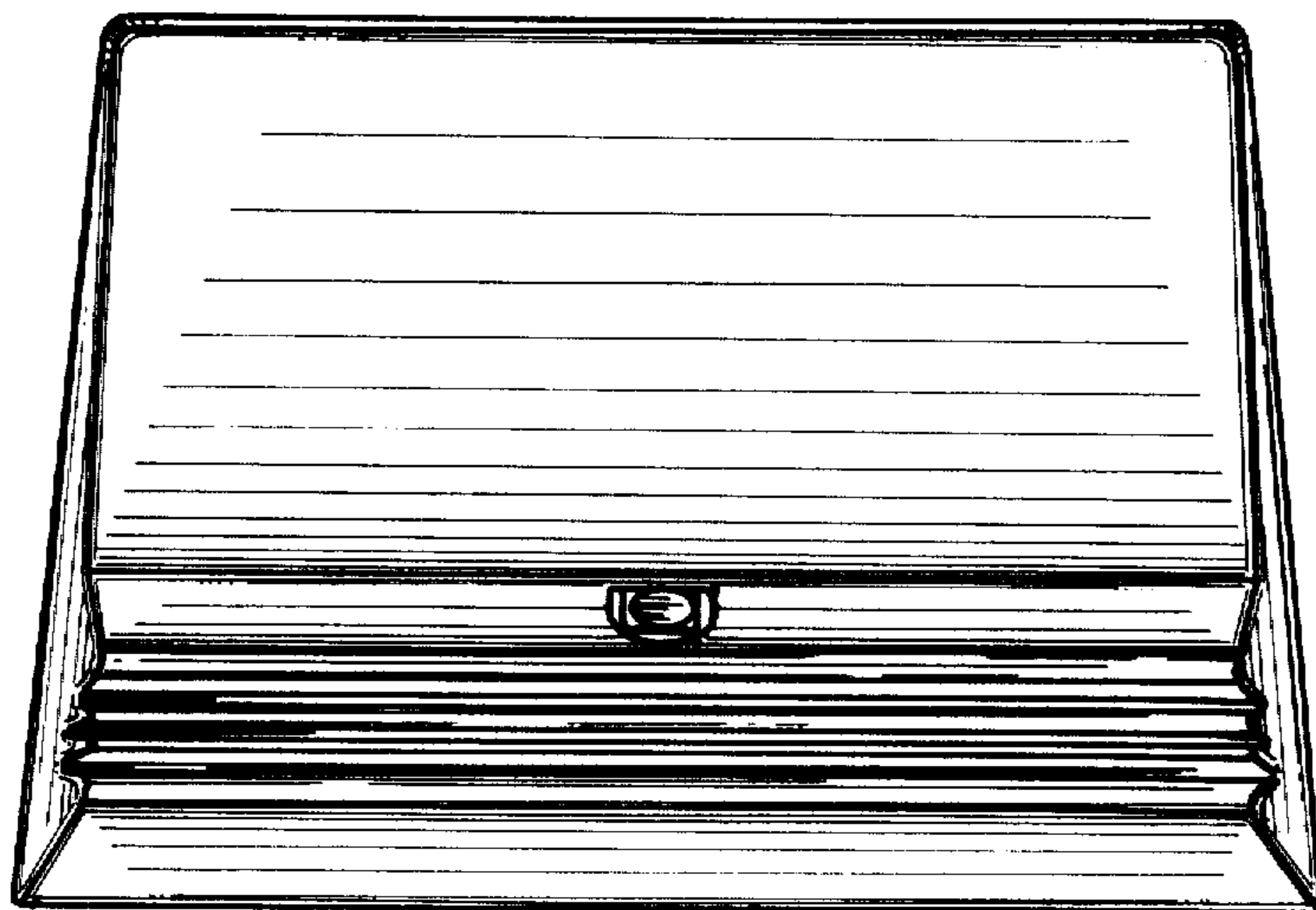


FIG. 2.

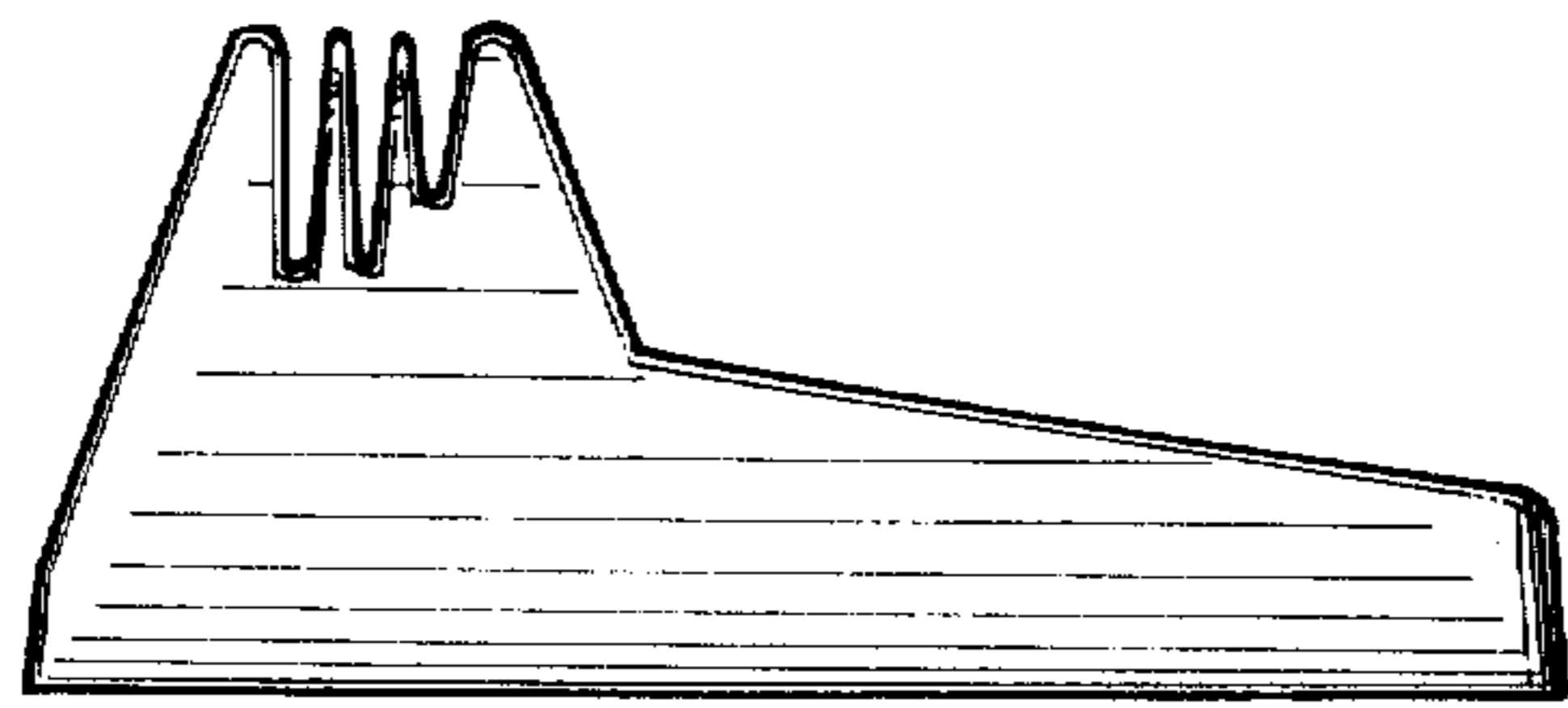


FIG. 3.

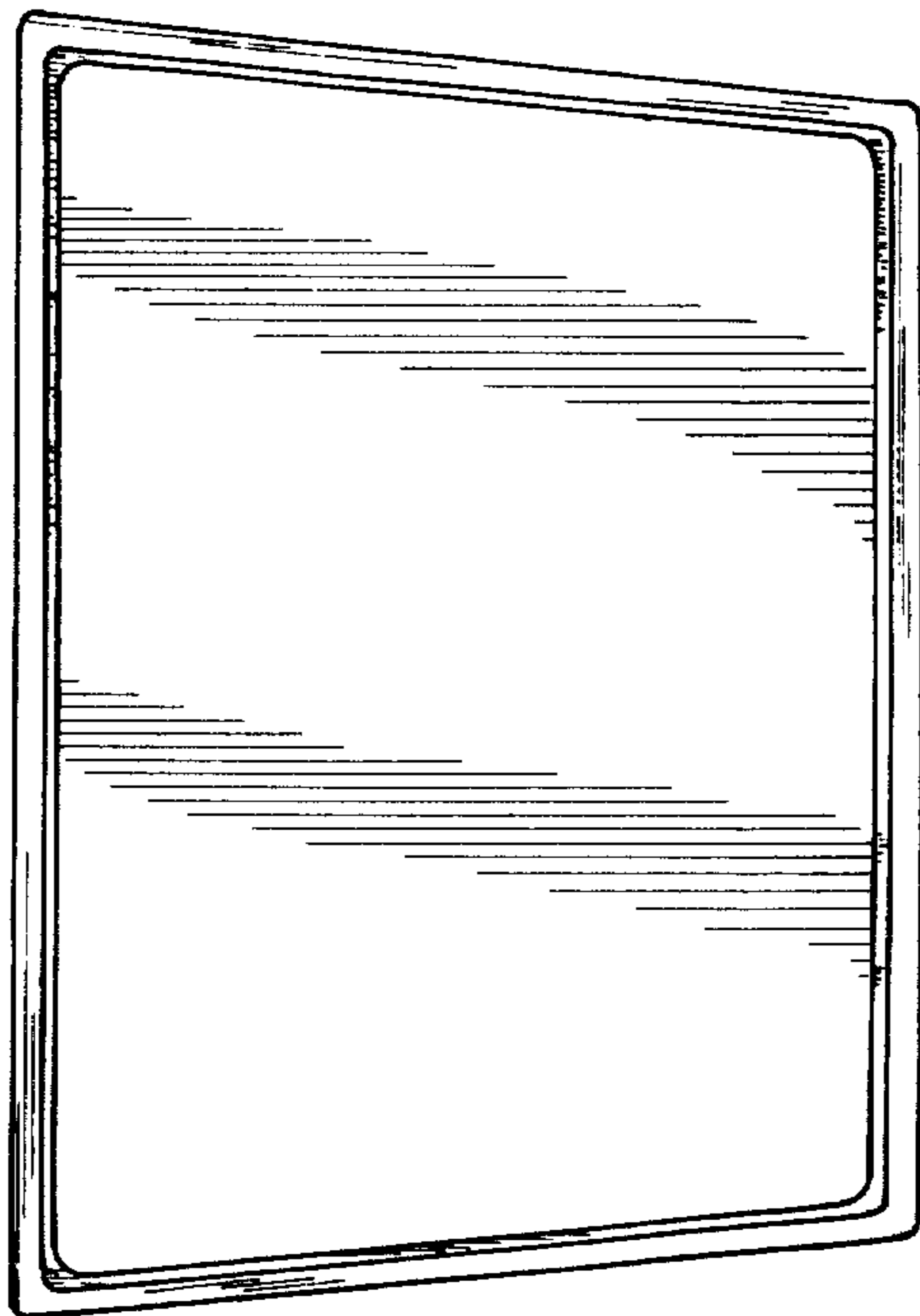


FIG. 4.

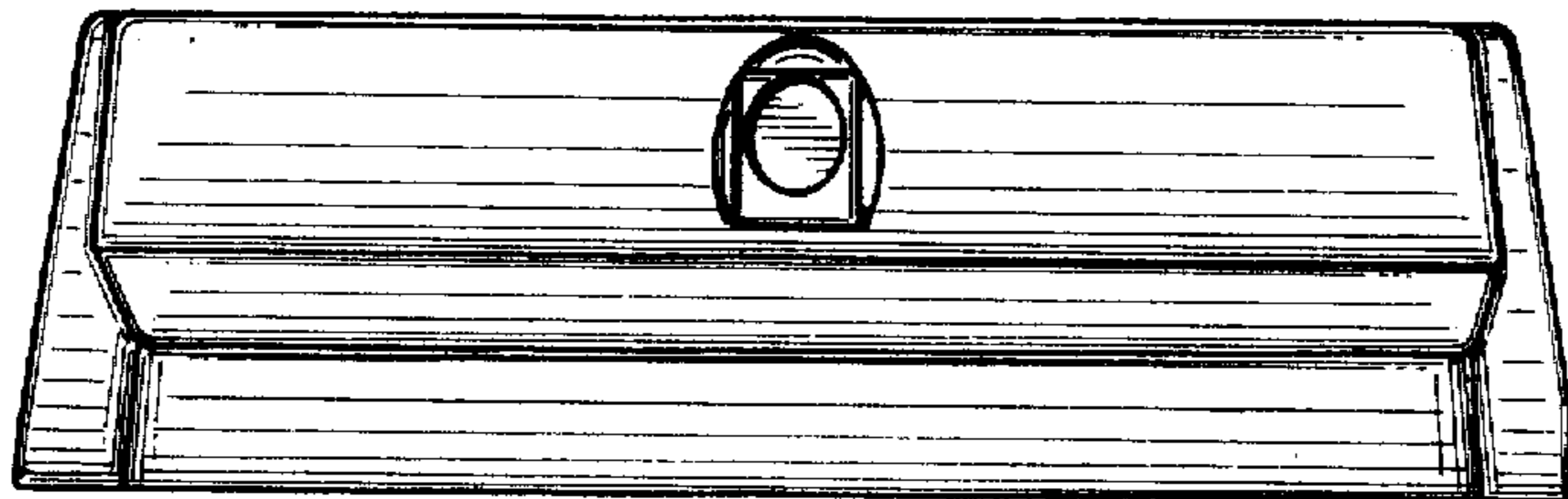


FIG. 5.