

[54] TAPE RECORDER EDUCATIONAL BOARD

[76] Inventor: Jack N. Holcomb, P.O. Box 23130, Fort Lauderdale, Fla. 33307

[**] Term: 14 Years

[21] Appl. No.: 514,897

[22] Filed: Oct. 15, 1974

[51] Int. Cl. D14-01

[52] U.S. Cl. D19/62

[58] Field of Search D19/59-64; D26/5 C, 14 B; 35/5, 8, 7, 9 C, 13, 19 A, 19 R, 30, 42.5, 46 R

[56] References Cited

U.S. PATENT DOCUMENTS

D223,254 4/1972 Adams et al. D26/14 B

OTHER PUBLICATIONS

High Fidelity Magazine 9-'64, p. 114. Tape Recorder No. 314A-314E, at top center of page.

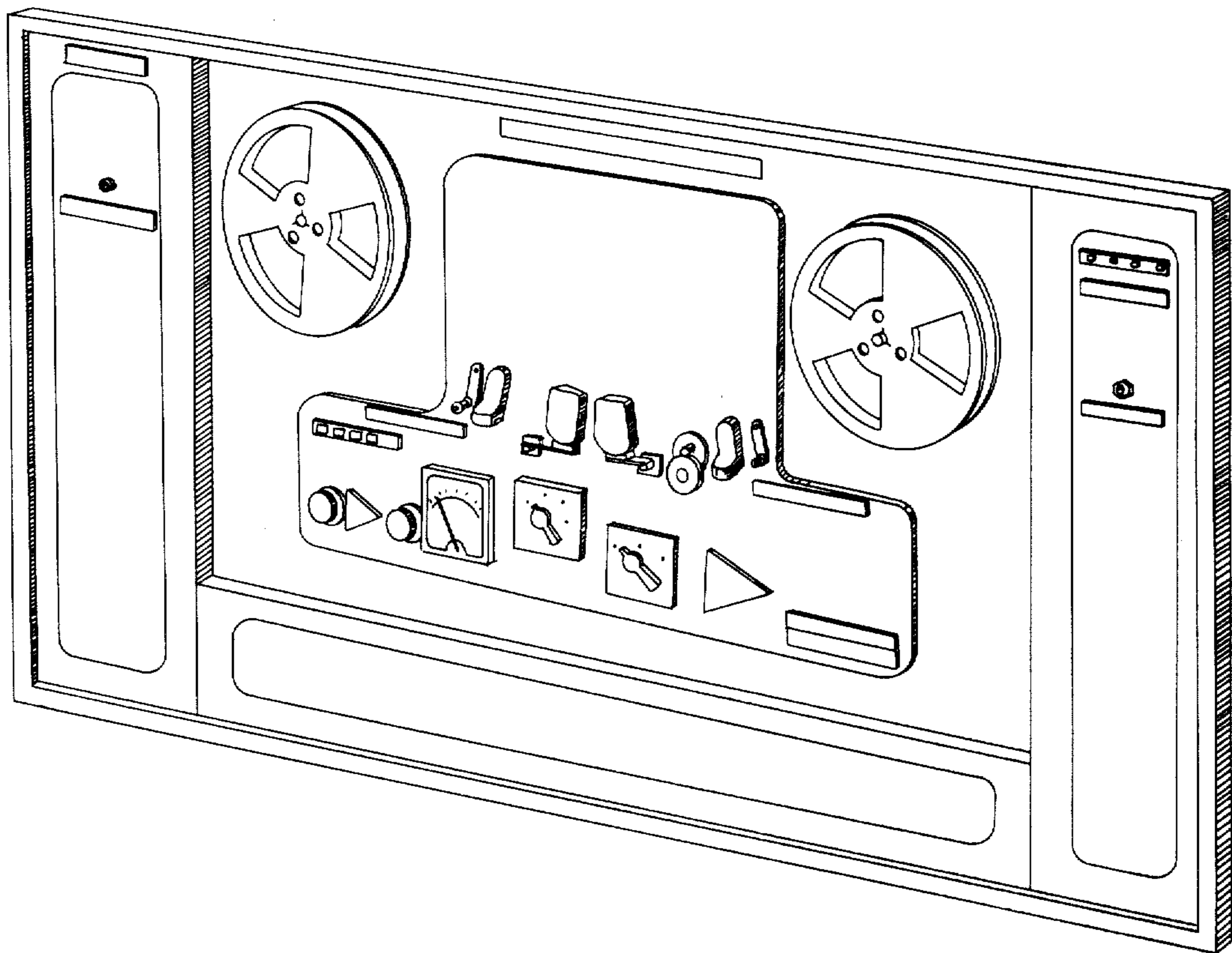
Primary Examiner—Joel Stearman
Assistant Examiner—C. A. Rademaker
Attorney, Agent, or Firm—Herbert C. Schulze

[57] CLAIM

The ornamental design for a tape recorder educational board, as shown.

DESCRIPTION

FIG. 1 is a right front perspective view of a tape recorder educational board showing my new design; FIG. 2 is a left front perspective view thereof; and, FIG. 3 is a rear perspective view thereof.



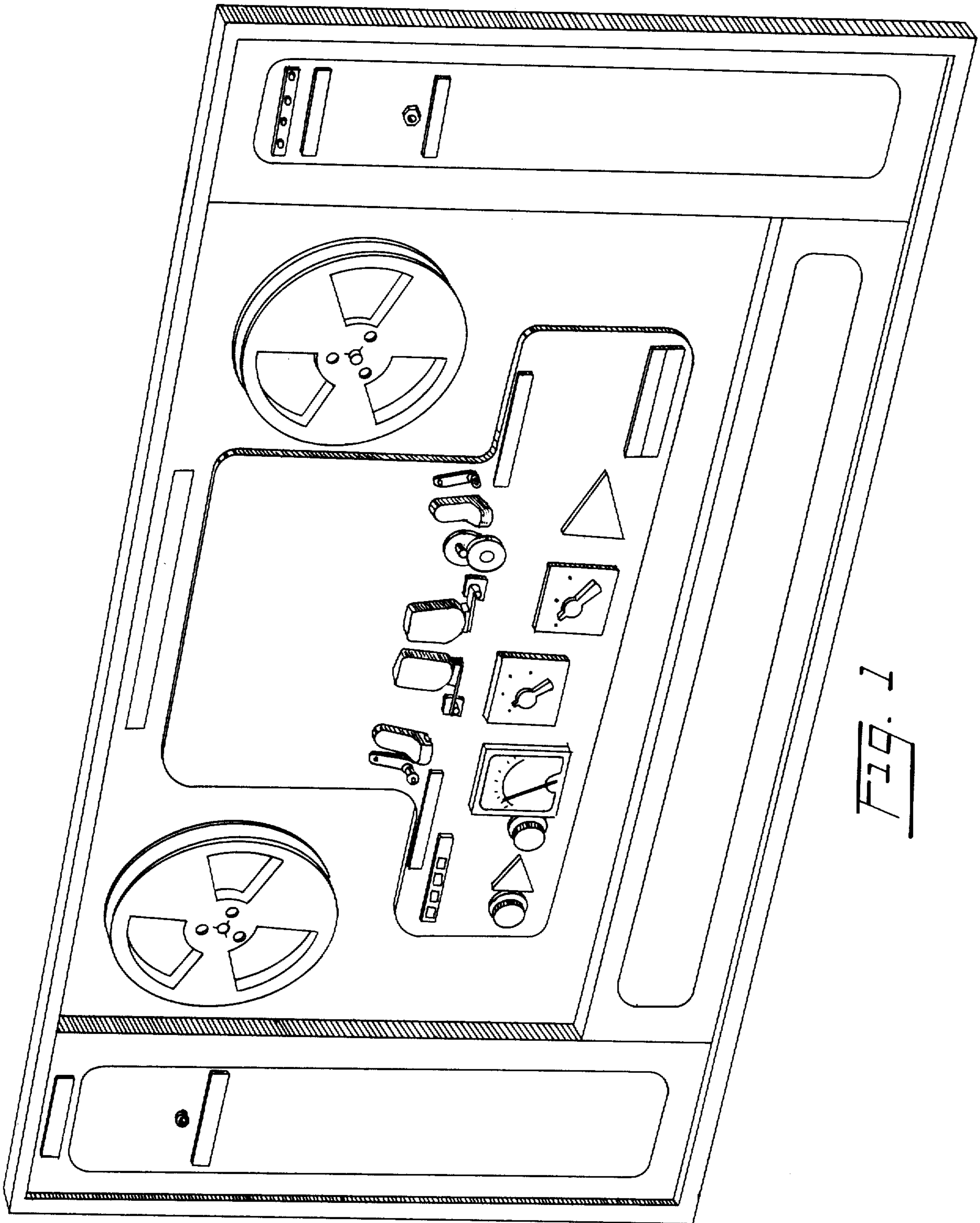


FIG. 1

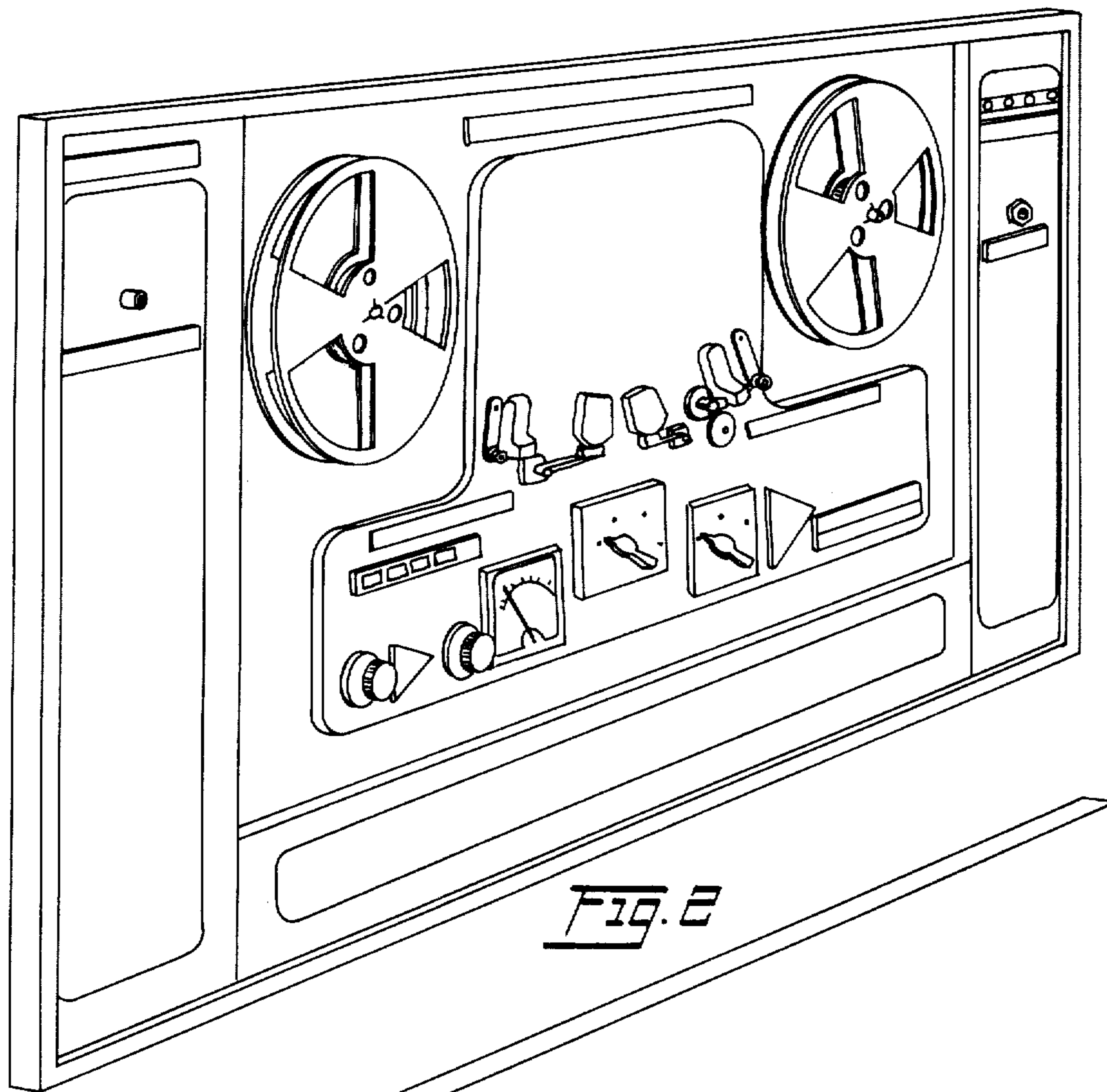


FIG. 2

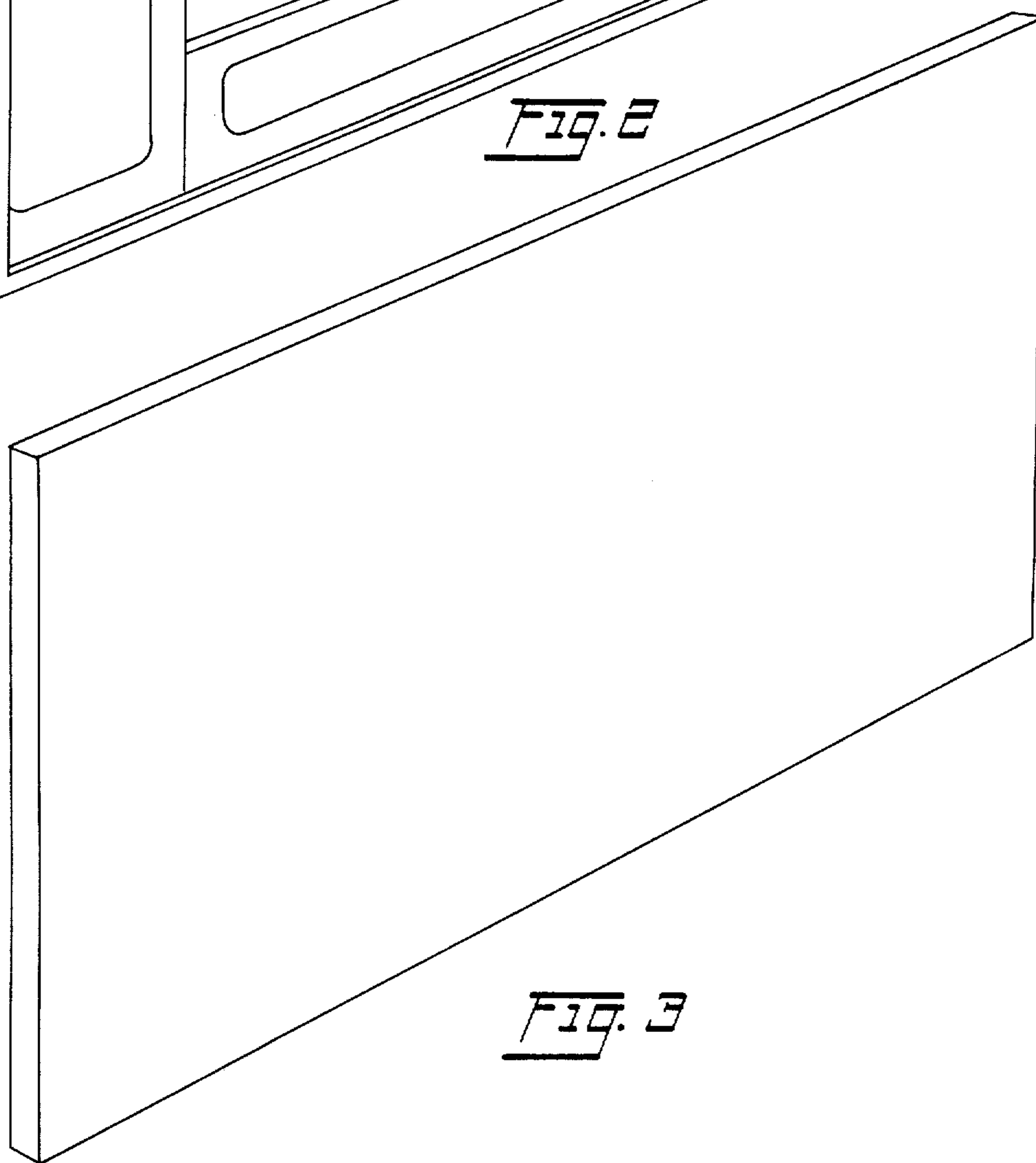


FIG. 3