

[54] **THREE WHEEL AUTOMOBILE**

[75] Inventor: **Paul Robert Gilbert**,
Thousand Oaks, Calif.
[73] Assignee: **Gilbert Transalectric Corporation**,
Los Angeles, Calif.
[**] Term: **14 Years**
[21] Appl. No.: **434,441**
[44] Published under the second Trial Voluntary
Protest Program on March 16, 1976 as
document No. B 434,441.

[22] Filed: **Jan. 18, 1974**

[51] Int. Cl. **D12-08**
[52] U.S. Cl. **D12/85**
[58] Field of Search **D12/85, 91, 107;**
296/28 R, 15; 180/89 R, 27, 26 R

[56] **References Cited**
U.S. PATENT DOCUMENTS
D200,703 3/1965 Thomas et al. D12/85
FOREIGN PATENT DOCUMENTS
1,354,620 1/1964 France 296/28 R

OTHER PUBLICATIONS

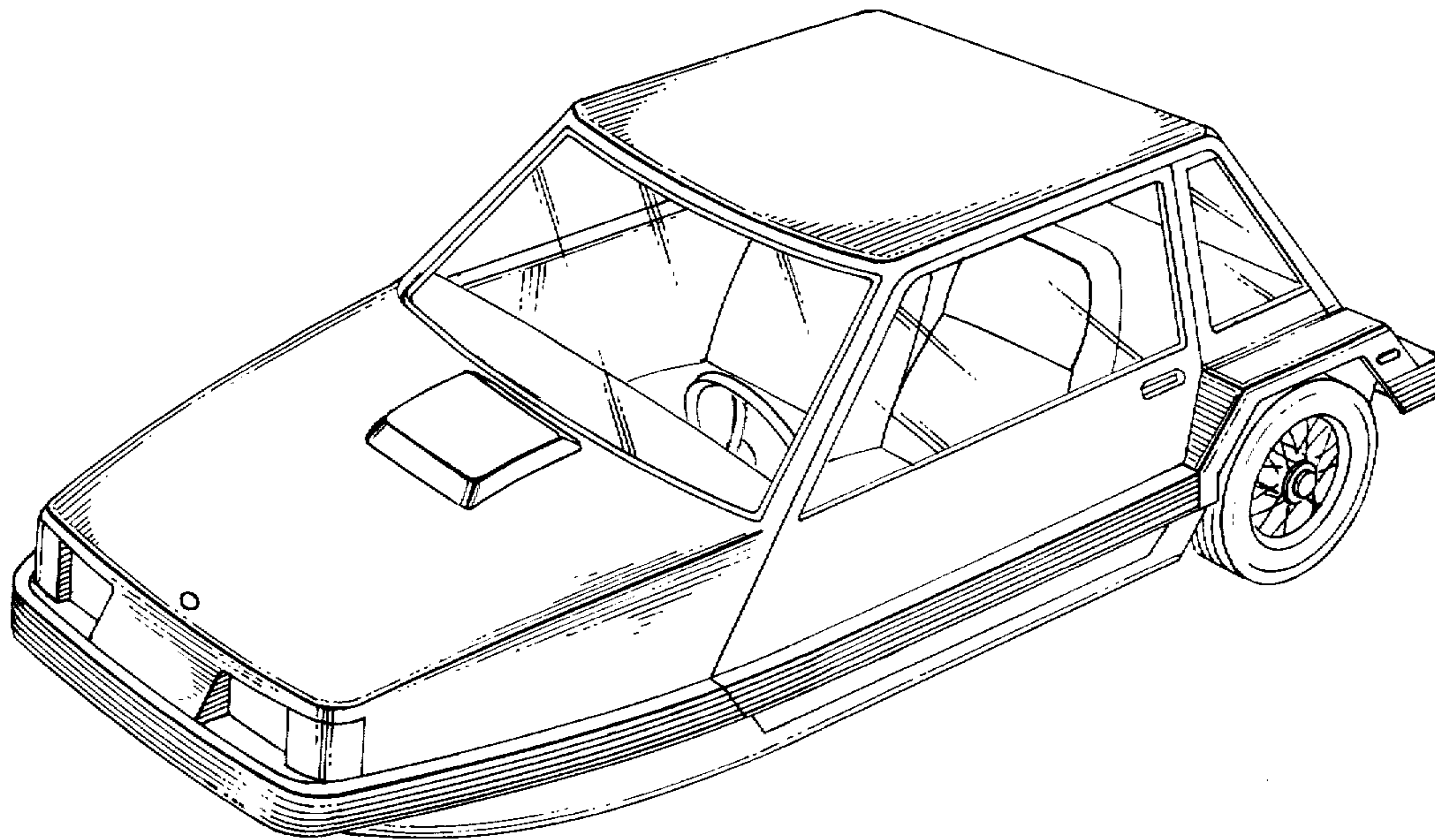
Popular Mechanics, Jan. 1959, p. 181, automobile, top
of page.
Design News, June 19, 1972, p. 30, automobile, top
right side of page.
Austro Motor, July 1970, p. 300, Bond "Bug", bottom
left side of page.
Washington Post, Apr. 10, 1973, p. C1, Pedicar, top of
page.

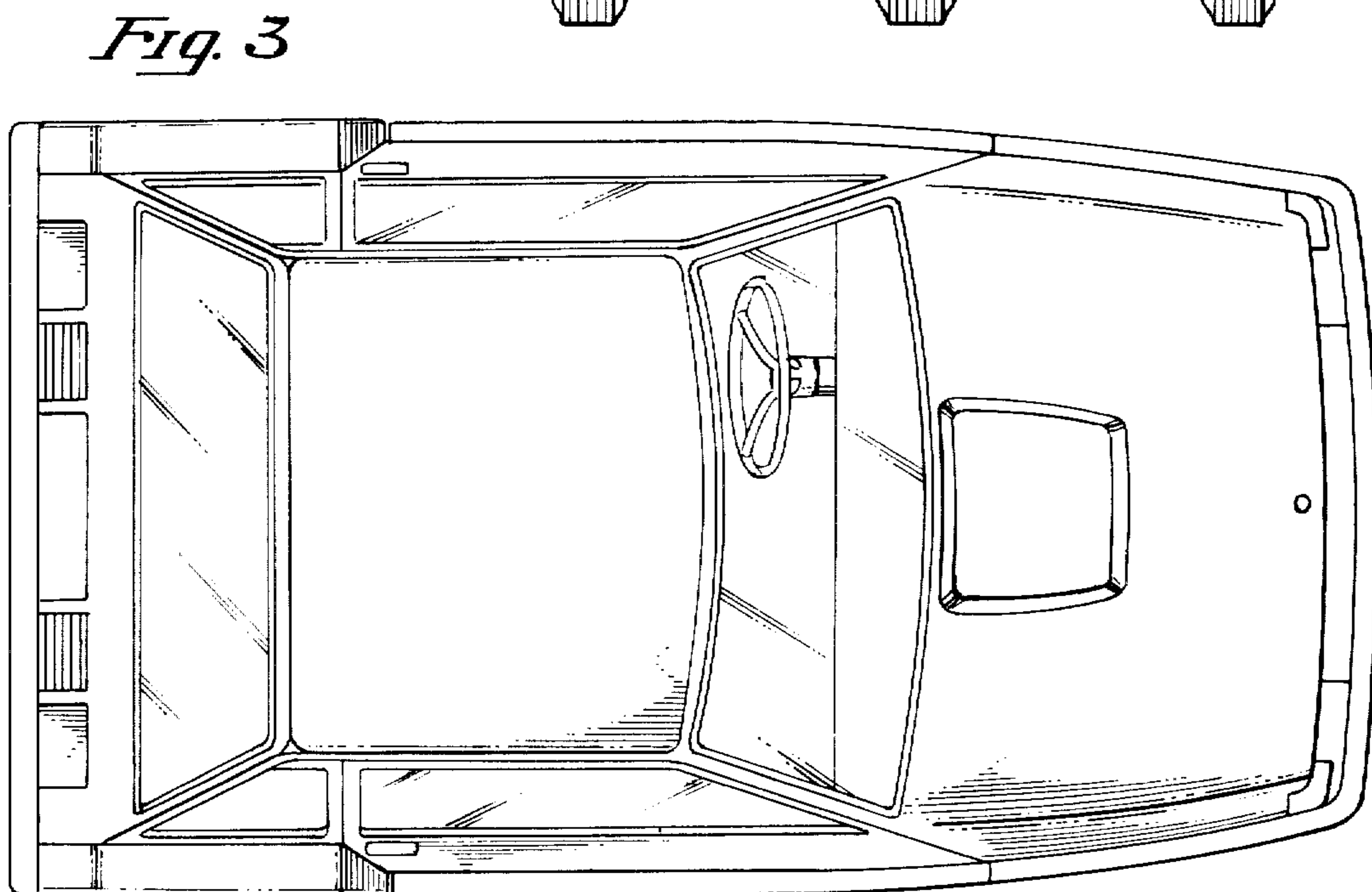
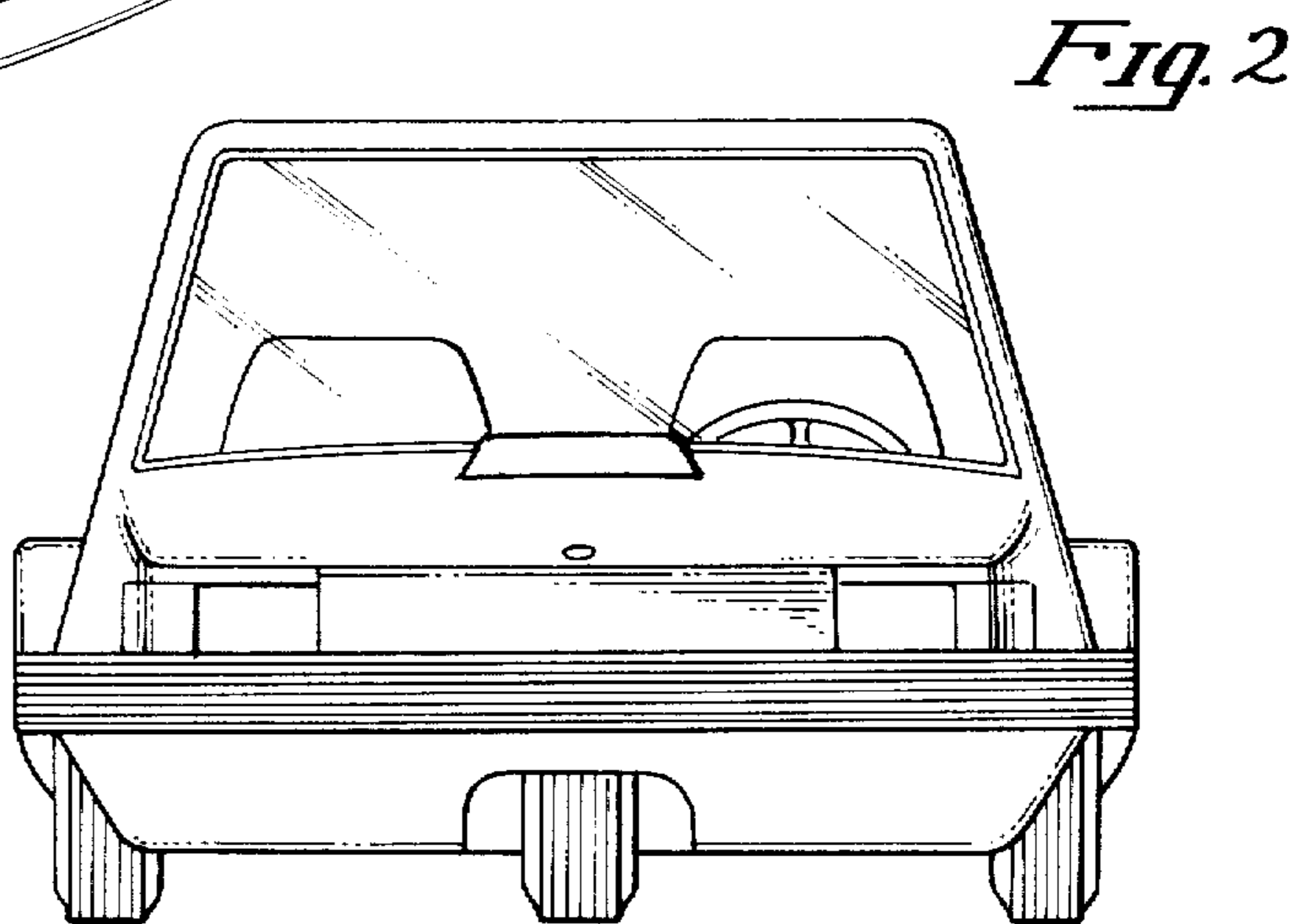
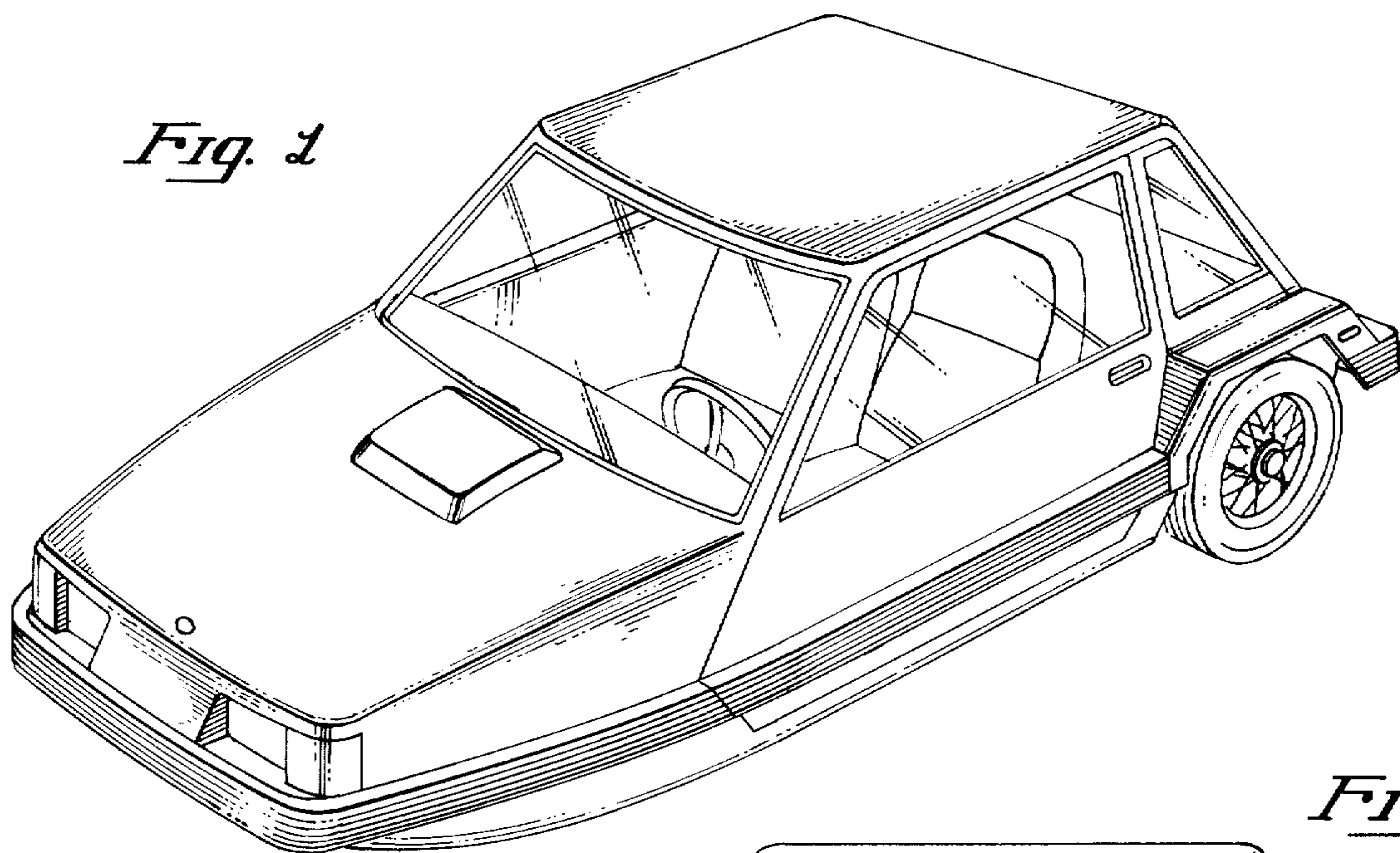
Primary Examiner—Wallace R. Burke
Assistant Examiner—James M. Gandy
Attorney, Agent, or Firm—Dennis L. Mangrum

[57] **CLAIM**
The ornamental design for a three wheel automobile, as
shown.

DESCRIPTION

FIG. 1 is a perspective view of a three wheel automo-
bile illustrating the new design;
FIG. 2 is a front elevation view thereof;
FIG. 3 is a top plan view thereof;
FIG. 4 is a side elevation view thereof;
FIG. 5 is a rear elevation view thereof.





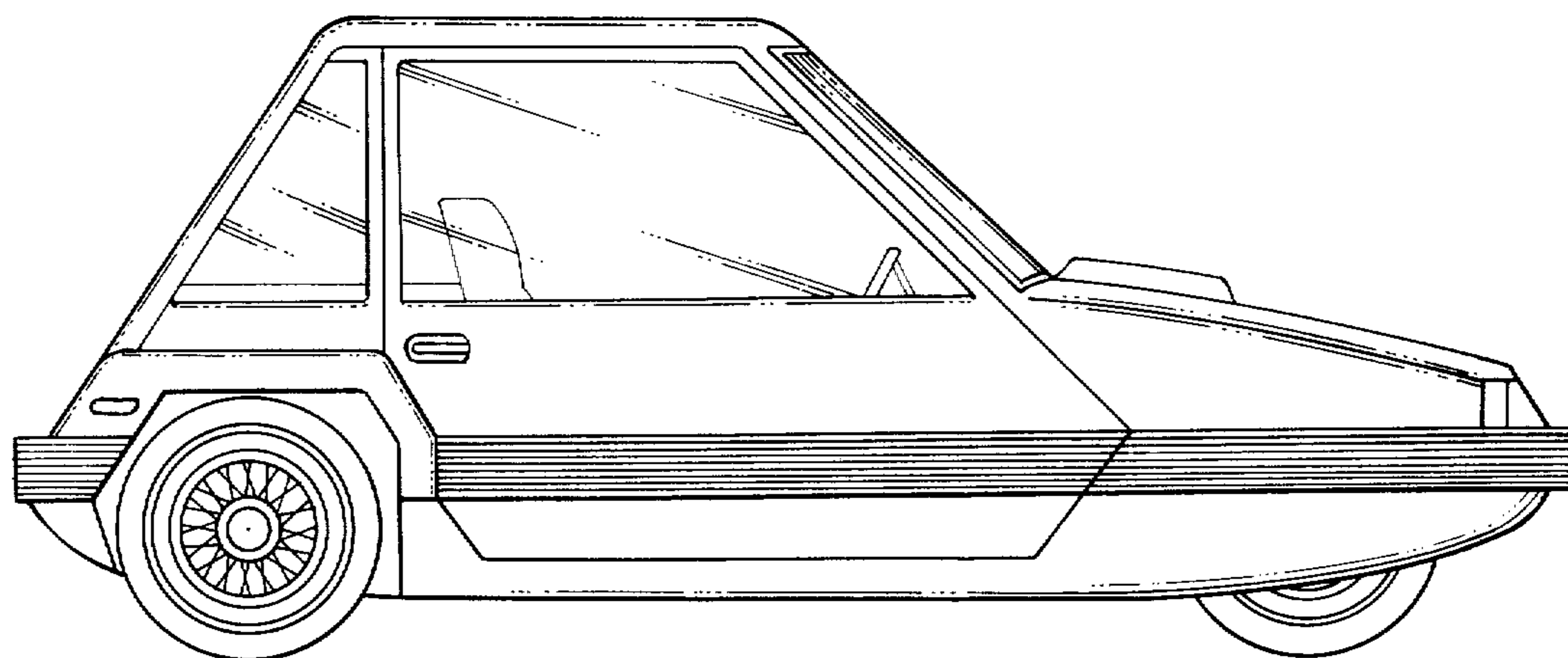


Fig. 4

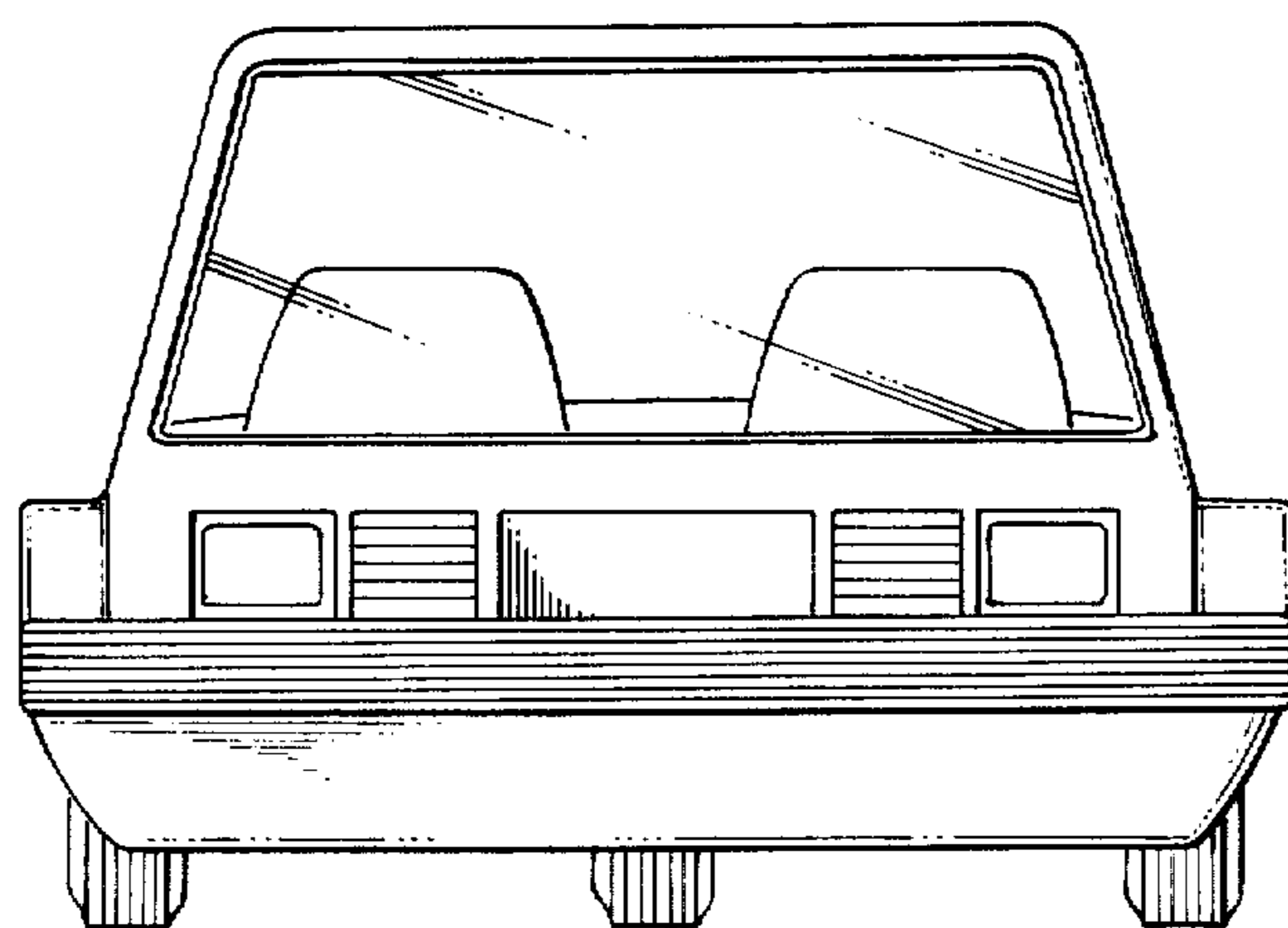


Fig. 5