

[54] **CLOCK AND TIMER ATTACHMENT FOR TELEPHONES**

[76] Inventor: **David P. Cervone**, 211 Mill Creek Drive, Youngstown, Ohio 44512

[**] Term: **14 Years**

[21] Appl. No.: **607,542**

[22] Filed: **Aug. 20, 1975**

[51] **Int. Cl.** **D10-01**

[52] **U.S. Cl.** **D10/40**

[58] **Field of Search** **D10/1-30, D10/40; D26/14 A; 58/145 K, 152 T, 152 R**

[56] **References Cited**

U.S. PATENT DOCUMENTS

3,090,192	5/1963	Kraft	D10/40 X
3,512,355	5/1970	Lang	58/39.5
3,882,670	5/1975	Woolley	58/39.5

D224,933 10/1972 Goldstrand D26/14 A

OTHER PUBLICATIONS

Jeweler's Circular-Keystone -10/74-p. 37-clock.

Primary Examiner—Nelson C. Holtje
Attorney, Agent, or Firm—Webster B. Harpman

[57] **CLAIM**

The ornamental design for a clock and timer attachment for telephone, as shown and described.

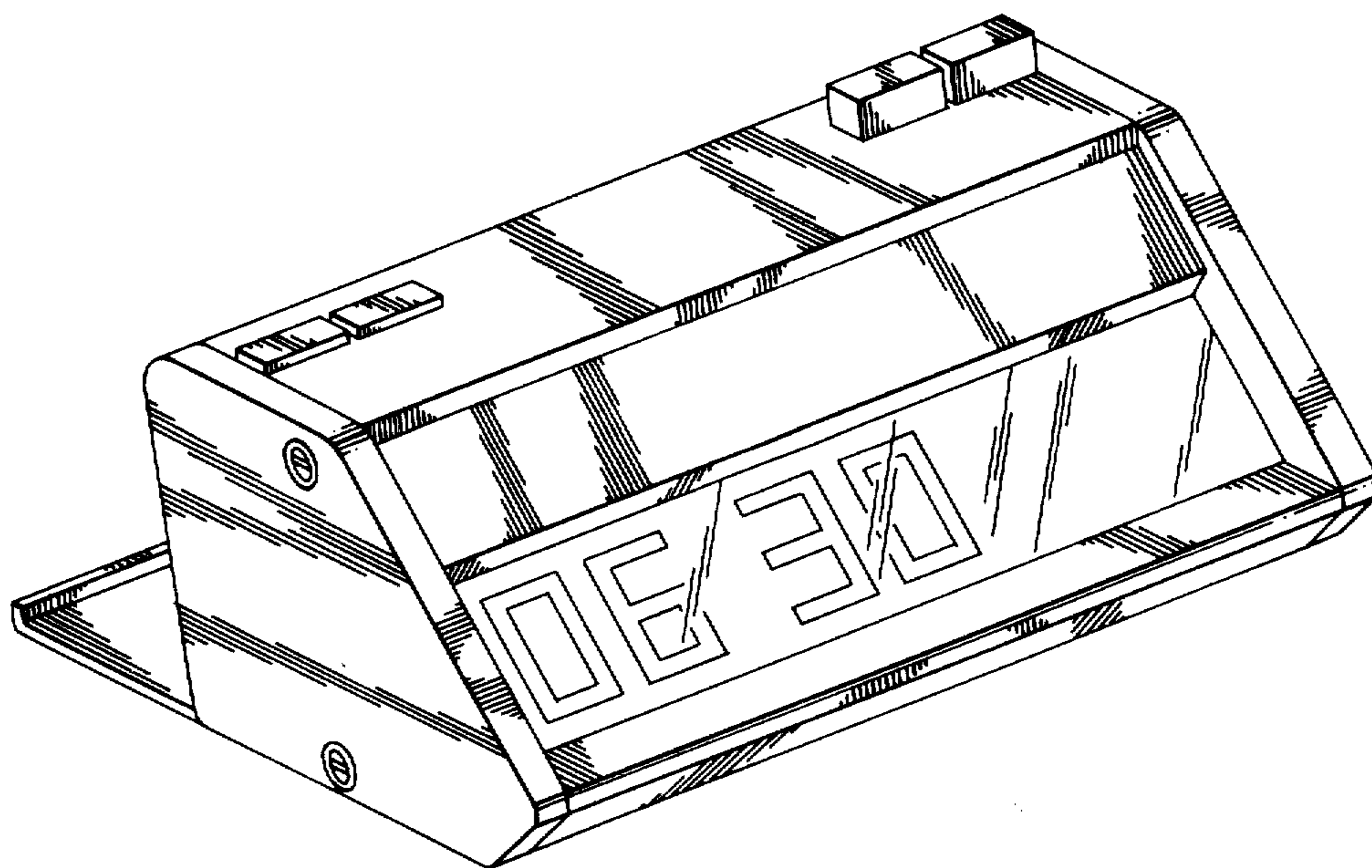
DESCRIPTION

FIG. 1 is a top left front perspective view of a clock and timer attachment for telephones showing my new design;

FIG. 2 is a front elevational view thereof;

FIG. 3 is a right side elevational view thereof;

The bottom and rear of the attachment are substantially plain and unornamented.



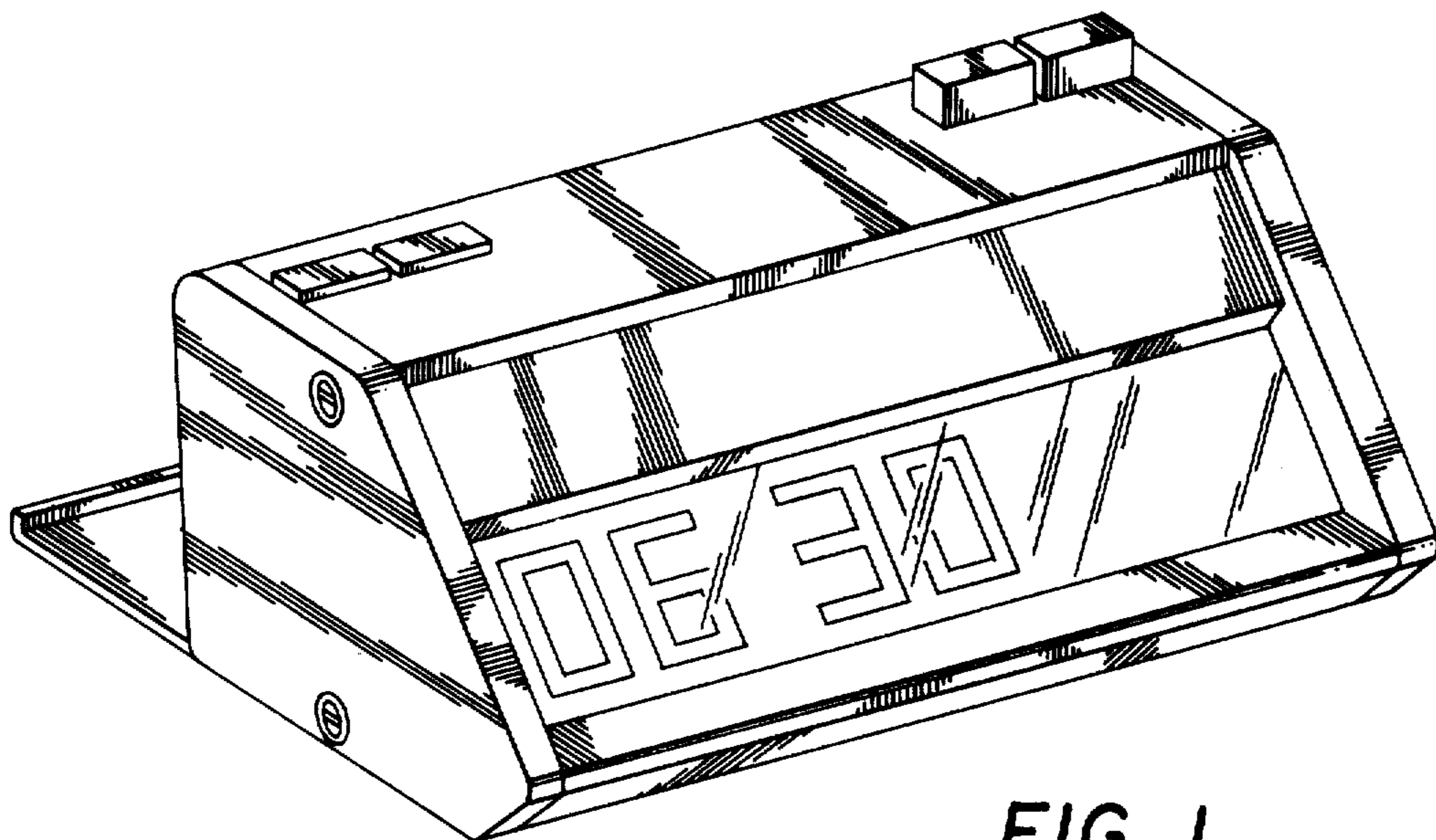


FIG. 1

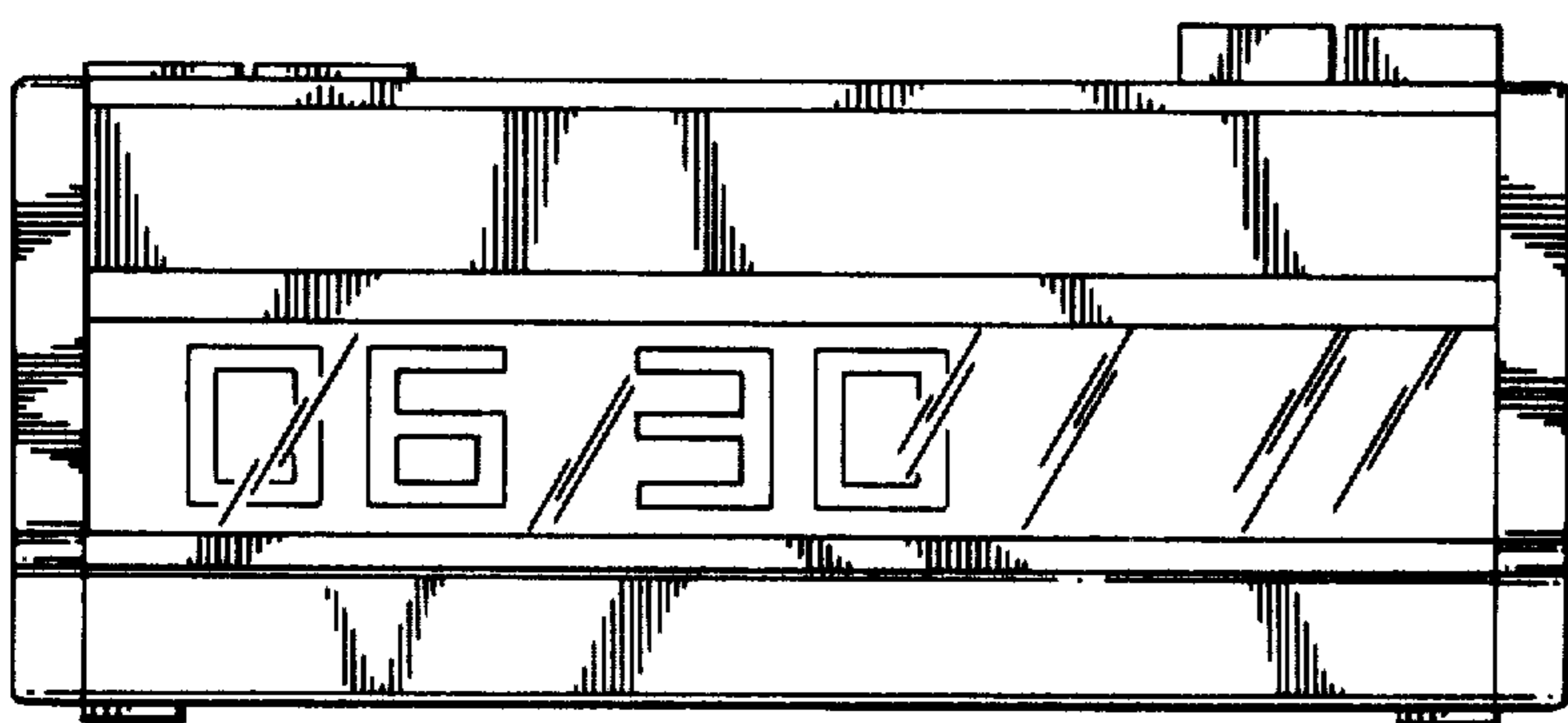


FIG. 2

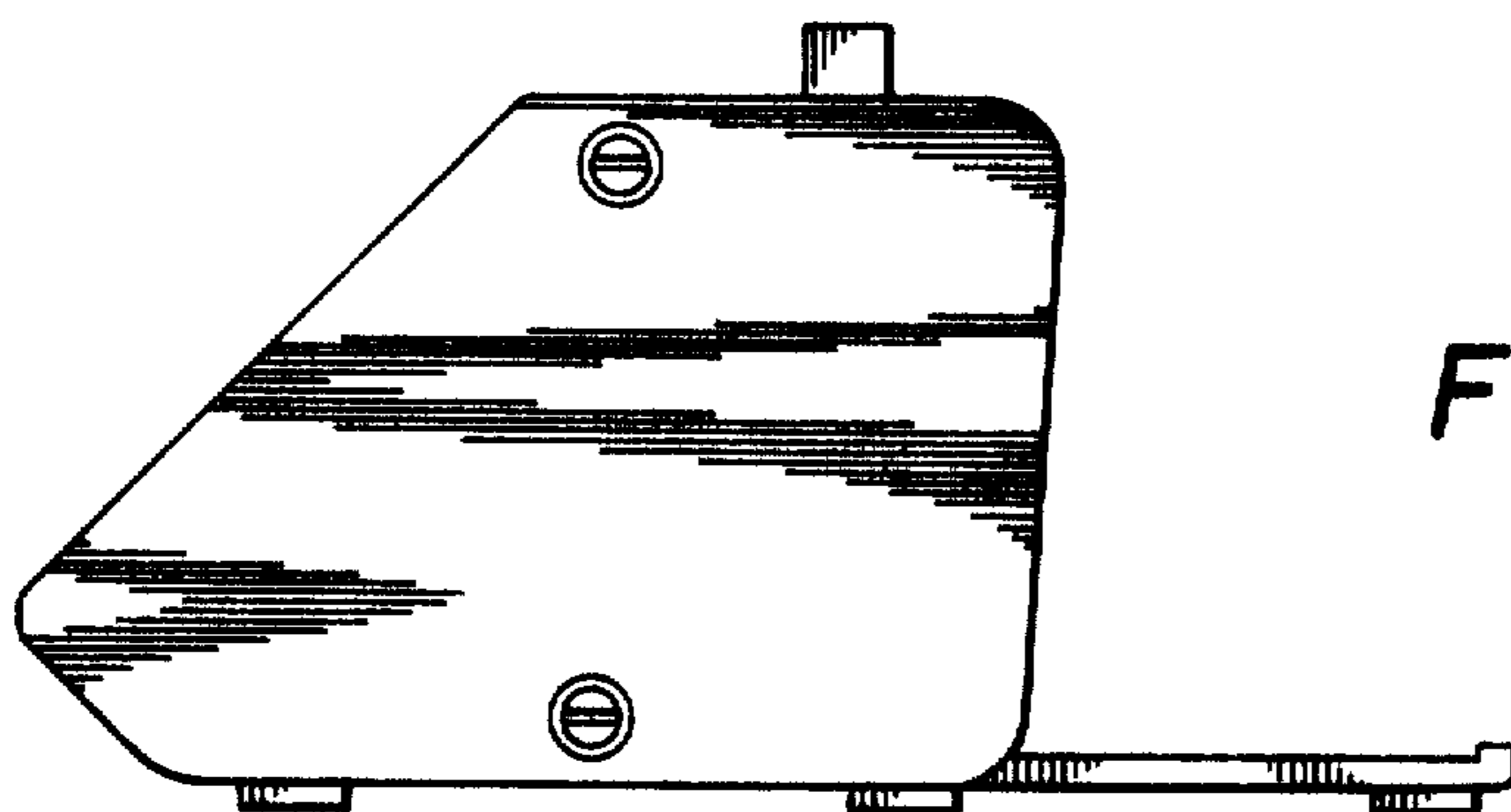


FIG. 3