

[54] COVER PLATE FOR WINDOW LOCK OR THE LIKE

[76] Inventor: Helmut Schmidt, 604 Parkview St., Otterburnpark, Quebec, Canada

[**] Term: 14 Years

[21] Appl. No.: 703,574

[22] Filed: July 8, 1976

Related U.S. Application Data

[63] Continuation-in-part of Ser. No. 563,479, March 31, 1975, abandoned.

[51] Int. Cl. D8-07; D8-09

[52] U.S. Cl. D8/137

[58] Field of Search D8/137; 292/241

[56] References Cited

U.S. PATENT DOCUMENTS

D156,767 1/1950 Rochow D8/137

OTHER PUBLICATIONS

Westlock Brochure, rec'd. Feb. 1968, p. 6, No. 577, sliding pocket door item.

Ideal Catalog, Rec'd. Feb. 1972, p. 25, top left, SK deadlock item.

Primary Examiner—William N. Wertman
Attorney, Agent, or Firm—Roger Goudreau

[57] CLAIM

The ornamental design for a cover plate for window lock or the like, as shown.

DESCRIPTION

FIG. 1 is a side perspective view of a cover plate for window lock or the like showing my new design:

FIG. 2 is a top plan view thereof;

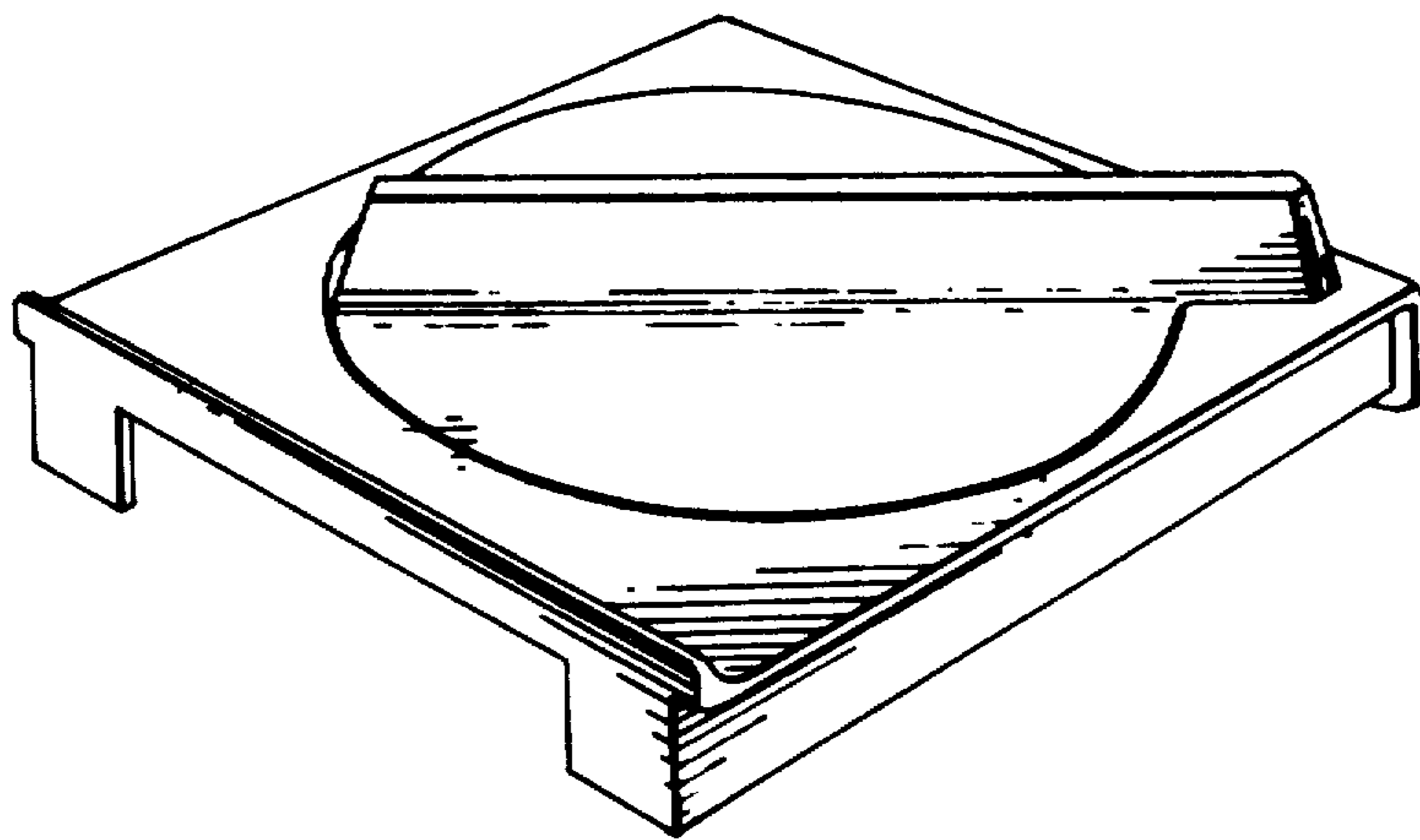
FIG. 3 is a side elevation view as seen from the top of FIG. 2;

FIG. 4 is a side view as seen from the bottom of FIG. 2;

FIG. 5 is an end view as seen from the left of FIG. 2;

and

FIG. 6 is an end view as seen from the right of FIG. 2.



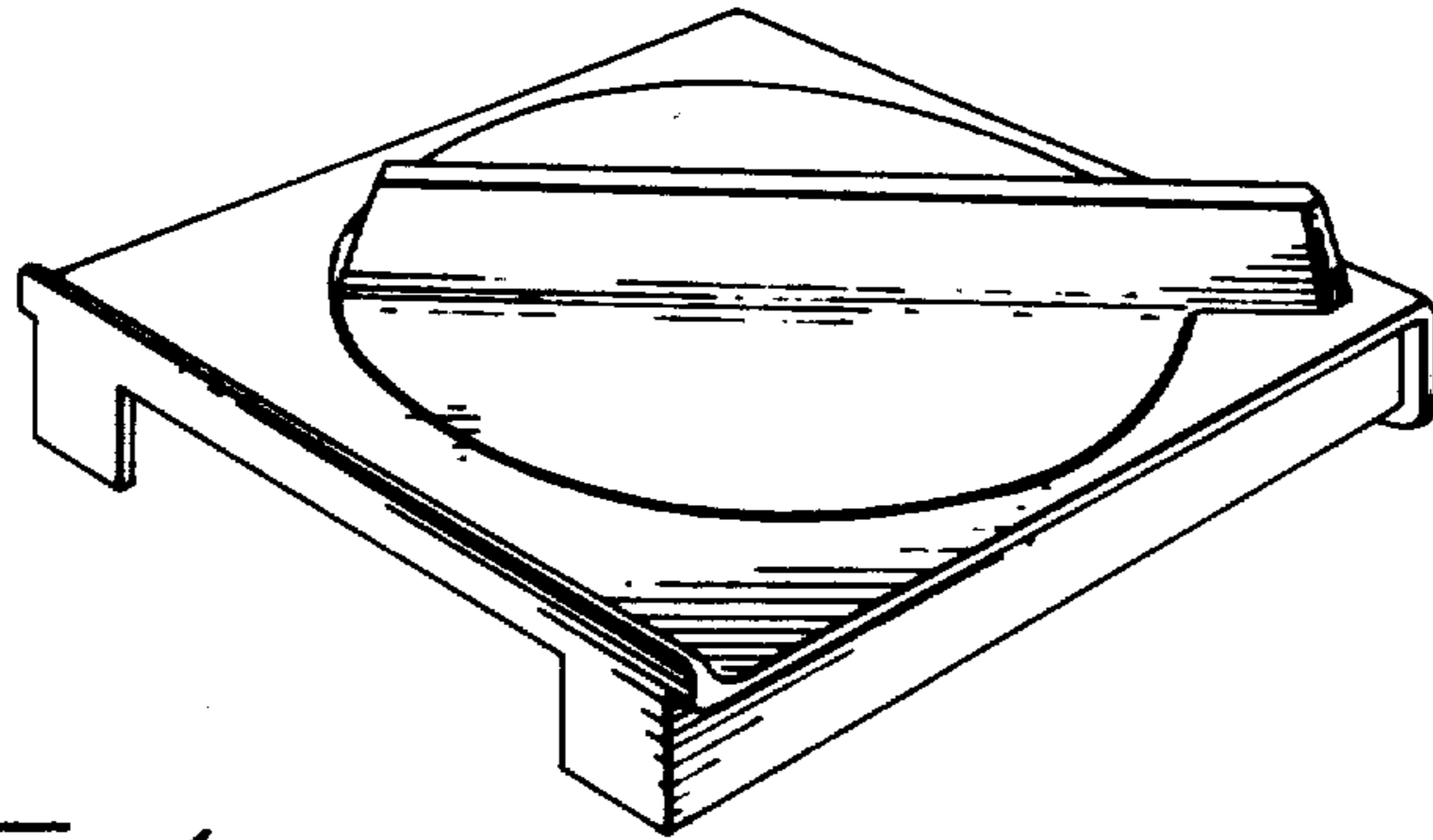


Fig-1

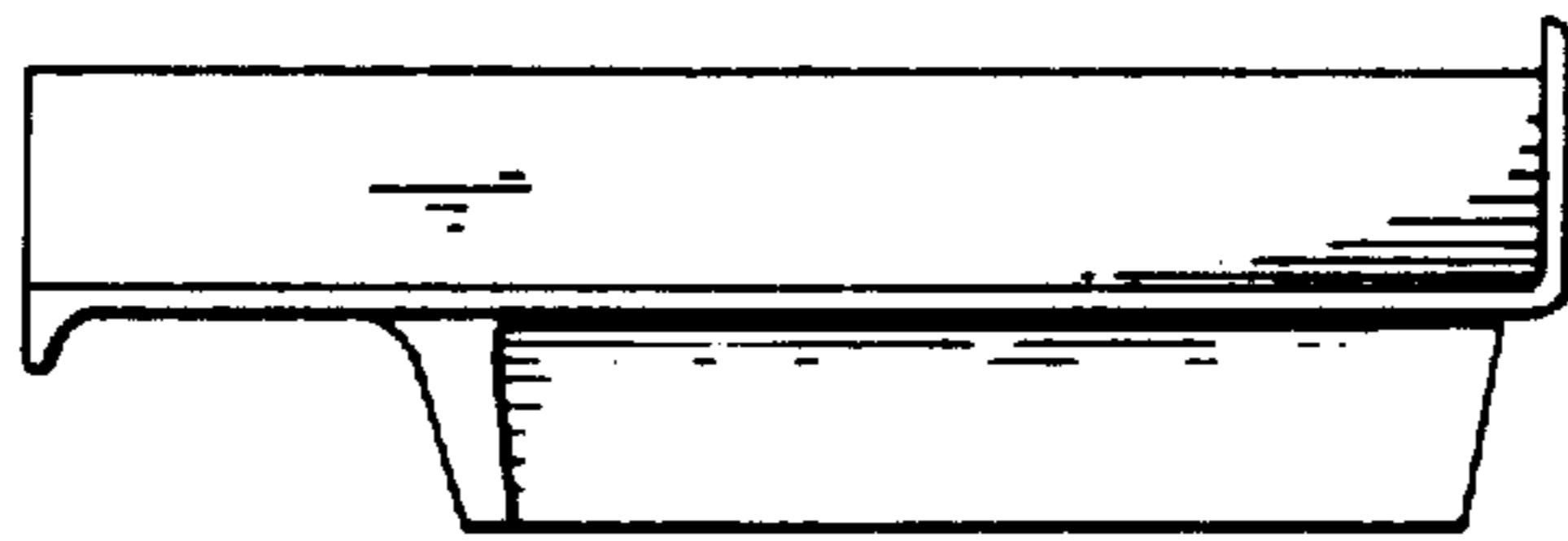


Fig-3

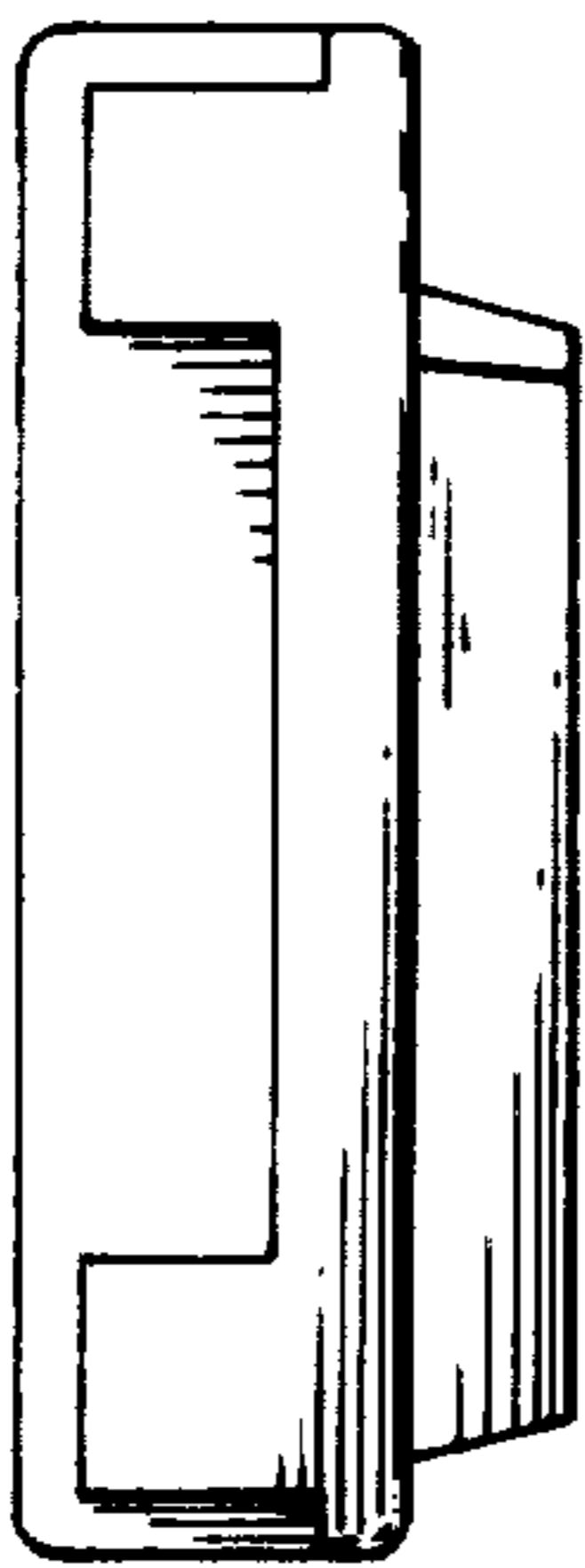


Fig-5

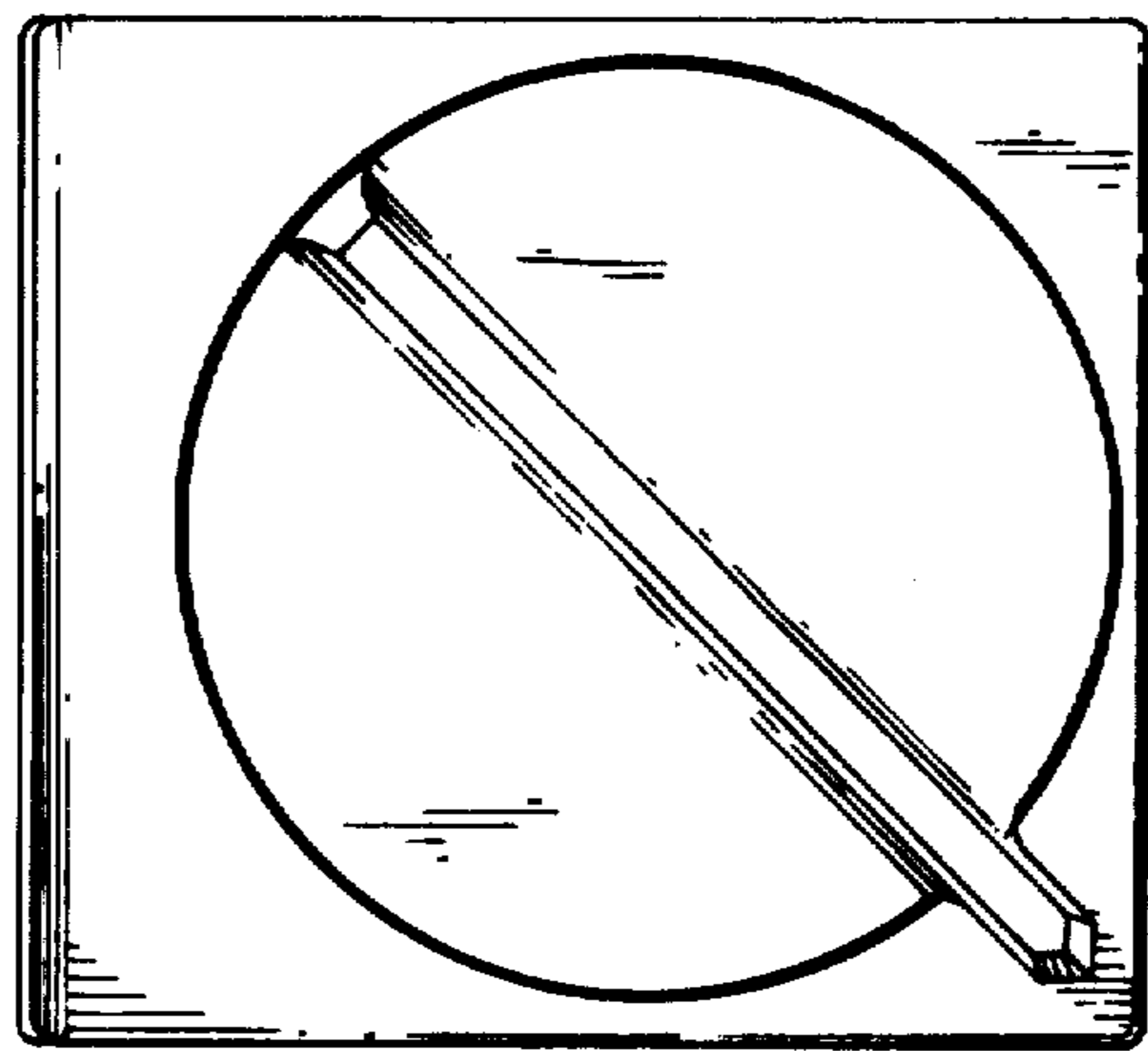


Fig-2

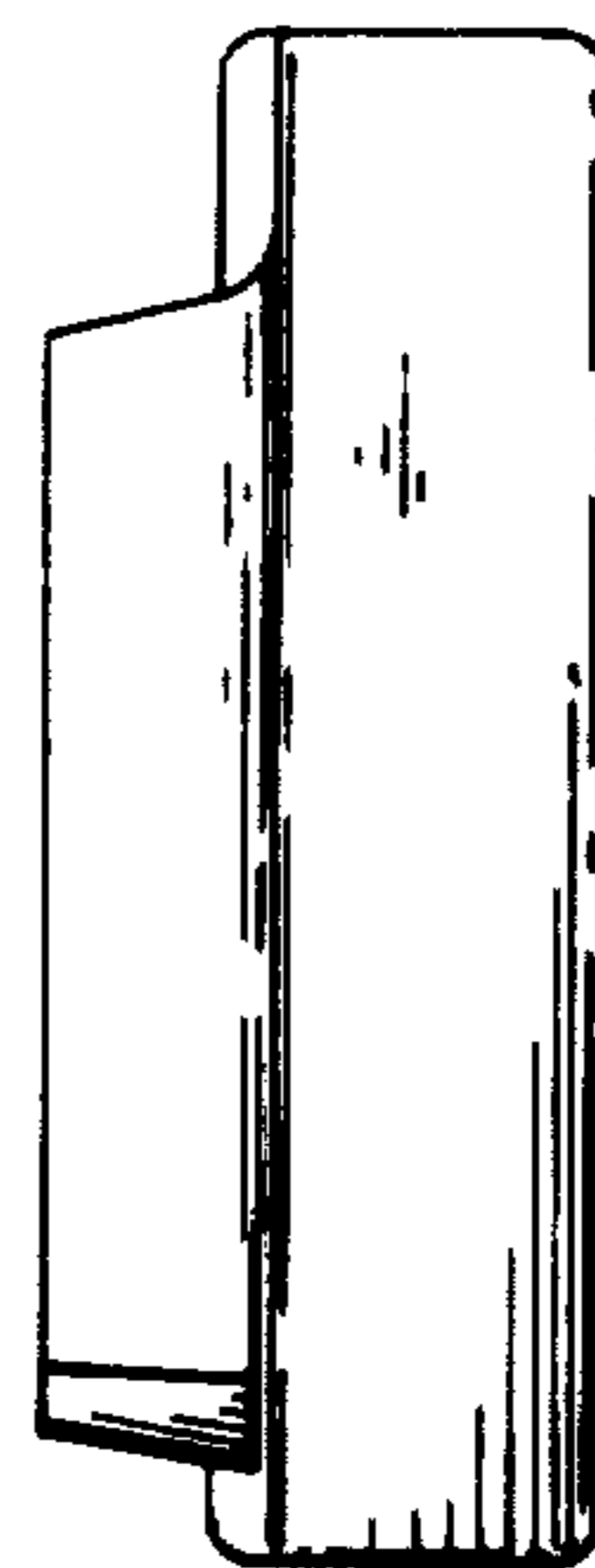


Fig-6

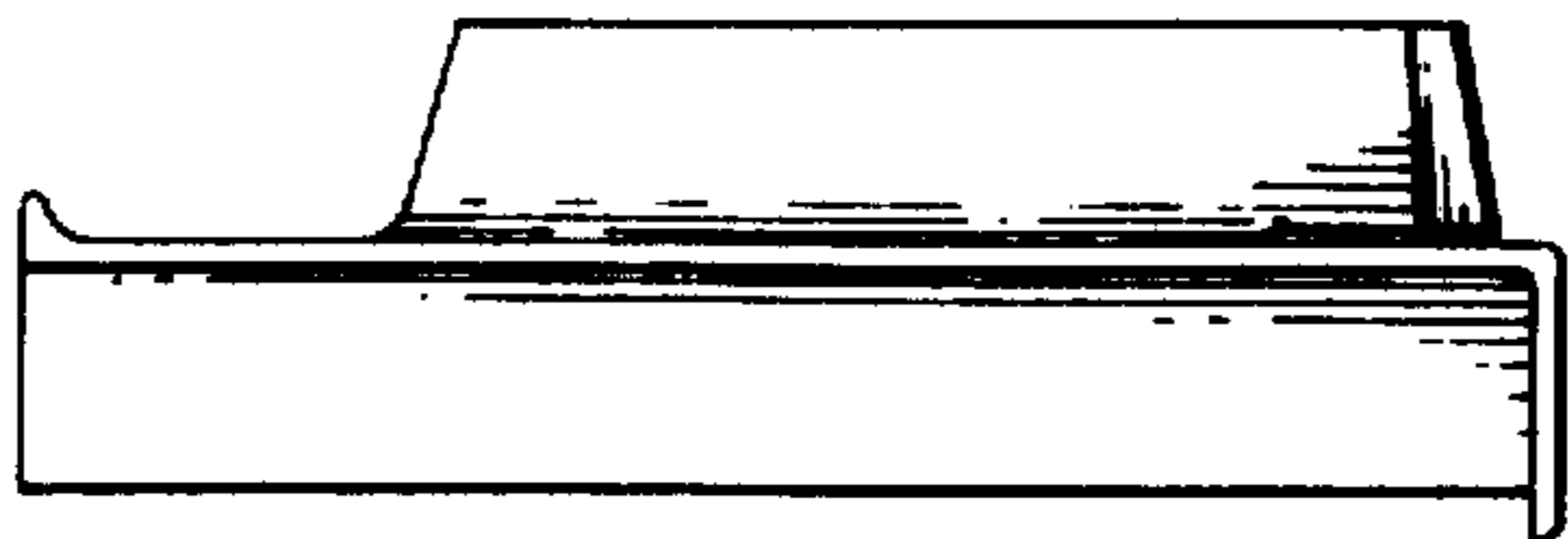


Fig-4