

[54] REFUSE CONTAINER
 [76] Inventor: Ingemar Lifström, Box 59, S-570 41 Frinnaryd, Sweden
 [**] Term: 14 Years
 [21] Appl. No.: 568,775
 [22] Filed: Apr. 17, 1975
 [51] Int. Cl. D7-07
 [52] U.S. Cl. D7/191
 [58] Field of Search D12/15, 27; D7/189, D7/191; D55/1 B; 214/302; 220/1 T; 294/73

3,709,389 1/1973 Steltz 214/302
 D212,122 8/1968 Lewis D7/189

Primary Examiner—Wallace R. Burke
 Assistant Examiner—James M. Gandy
 Attorney, Agent, or Firm—Murray Schaffer

[57] CLAIM

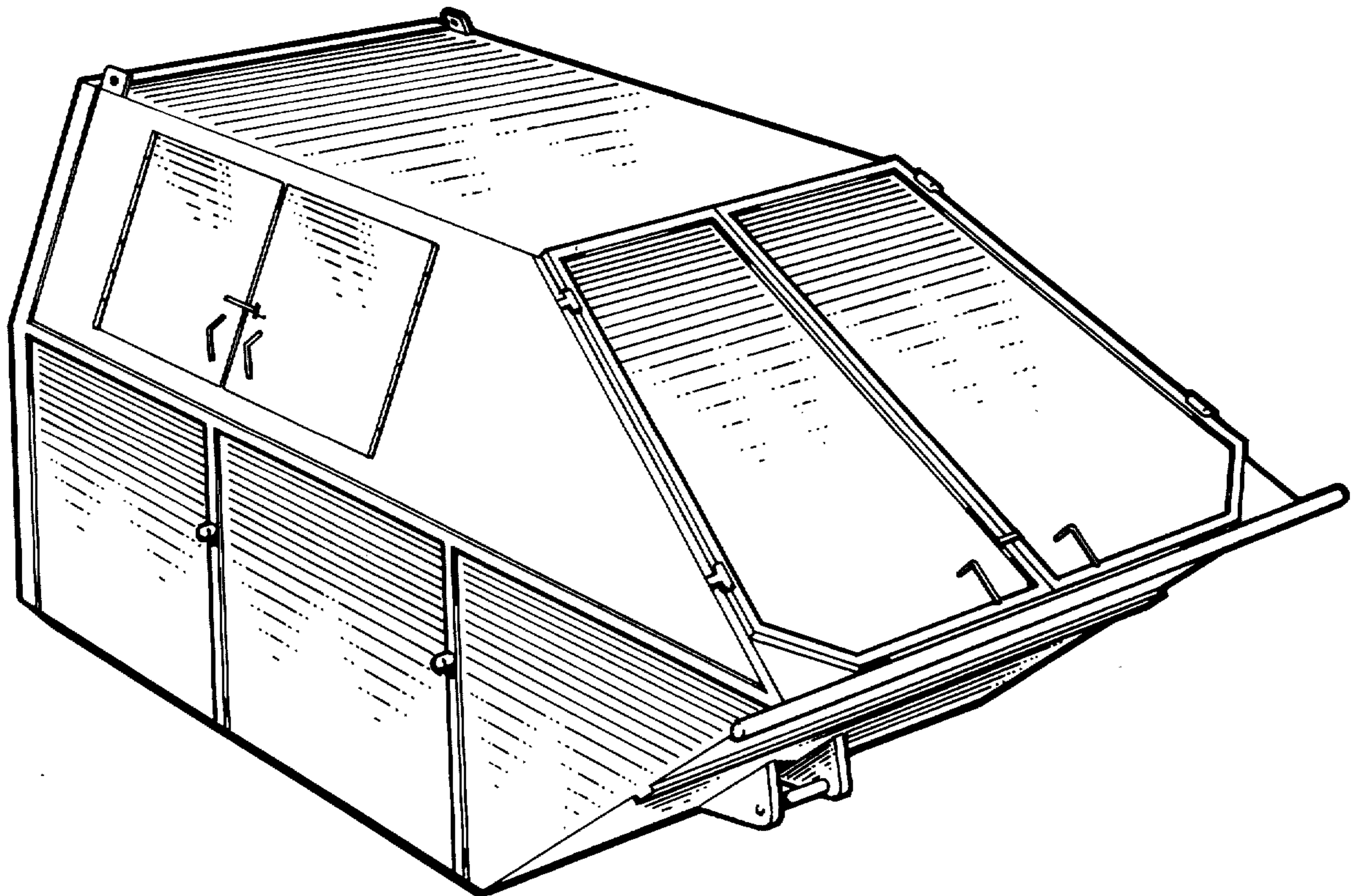
The ornamental design for a refuse container, substantially as shown and described.

DESCRIPTION

FIG. 1 is a perspective view of a refuse container showing my new design;
 FIG. 2 is a perspective view thereof showing the side and end opposite to that in FIG. 1;
 FIG. 3 is a perspective view of a refuse container showing a second embodiment of my new design; and
 FIG. 4 is a perspective view thereof showing the side and end opposite to that in FIG. 3.

[56] References Cited
 U.S. PATENT DOCUMENTS

2,702,142	2/1955	Jones	294/73
3,262,589	7/1966	Kolling	214/302
3,504,813	4/1970	Weir	214/302
3,680,478	8/1972	Beachner, Jr. et al.	214/302



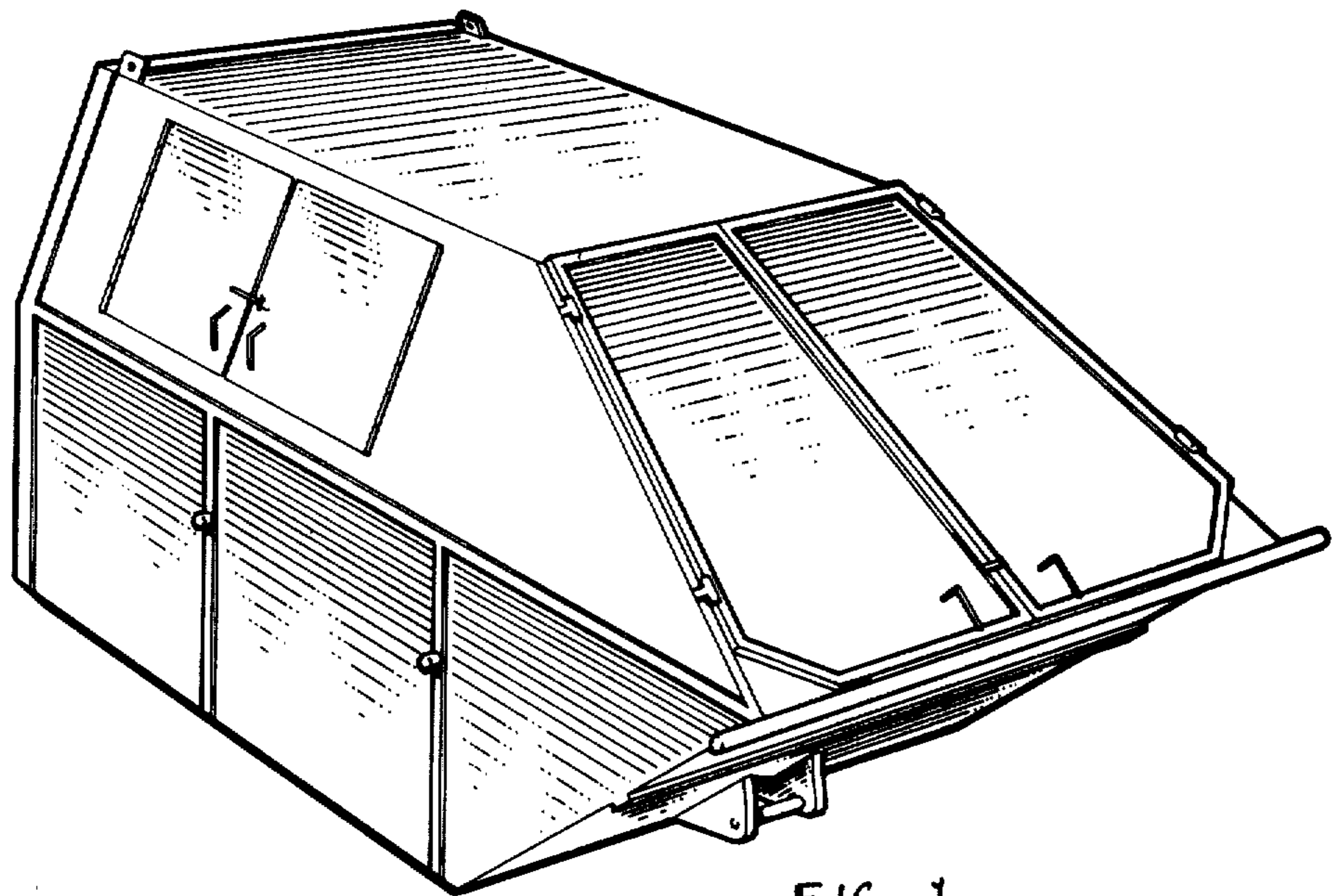


FIG. 1

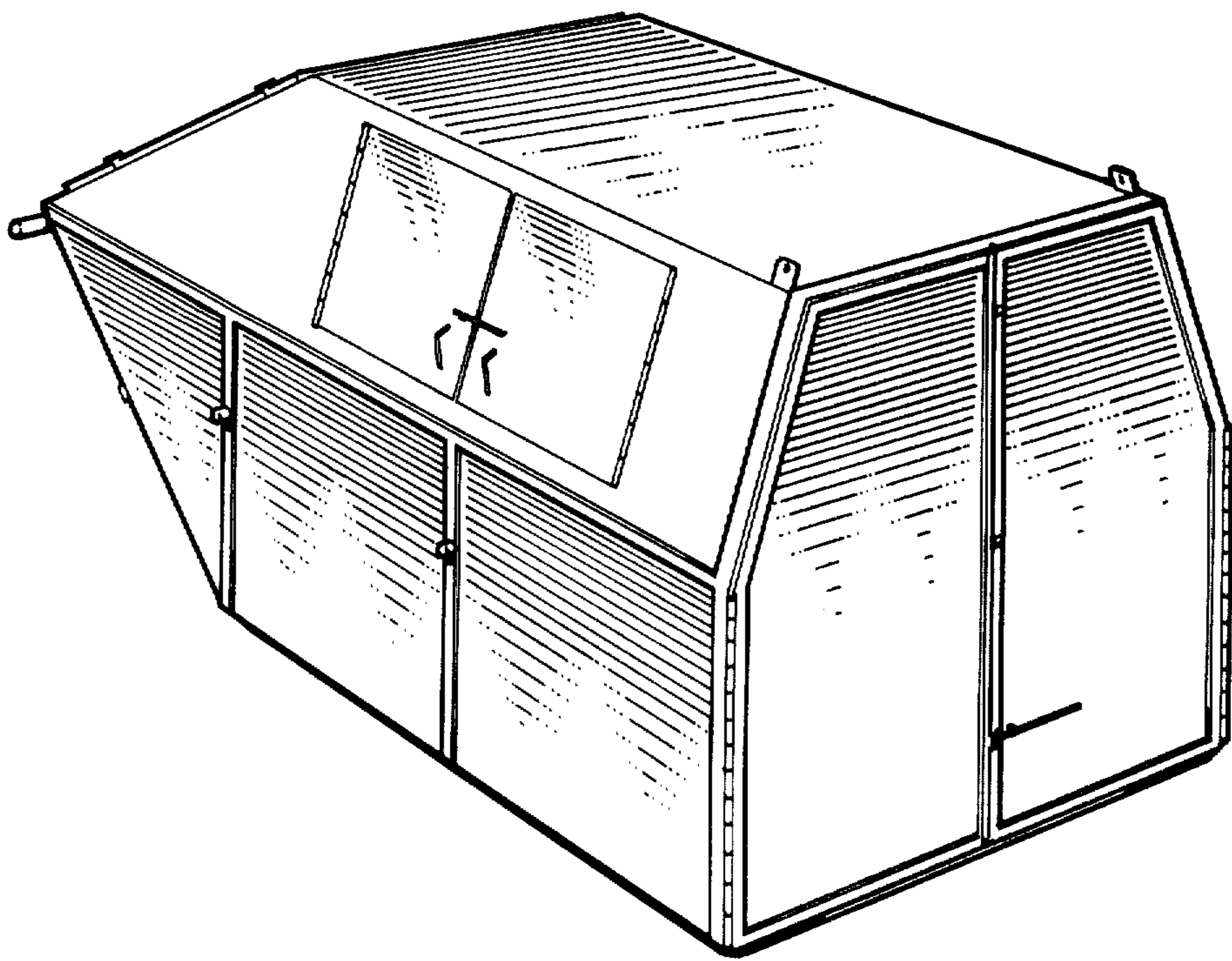


FIG. 2

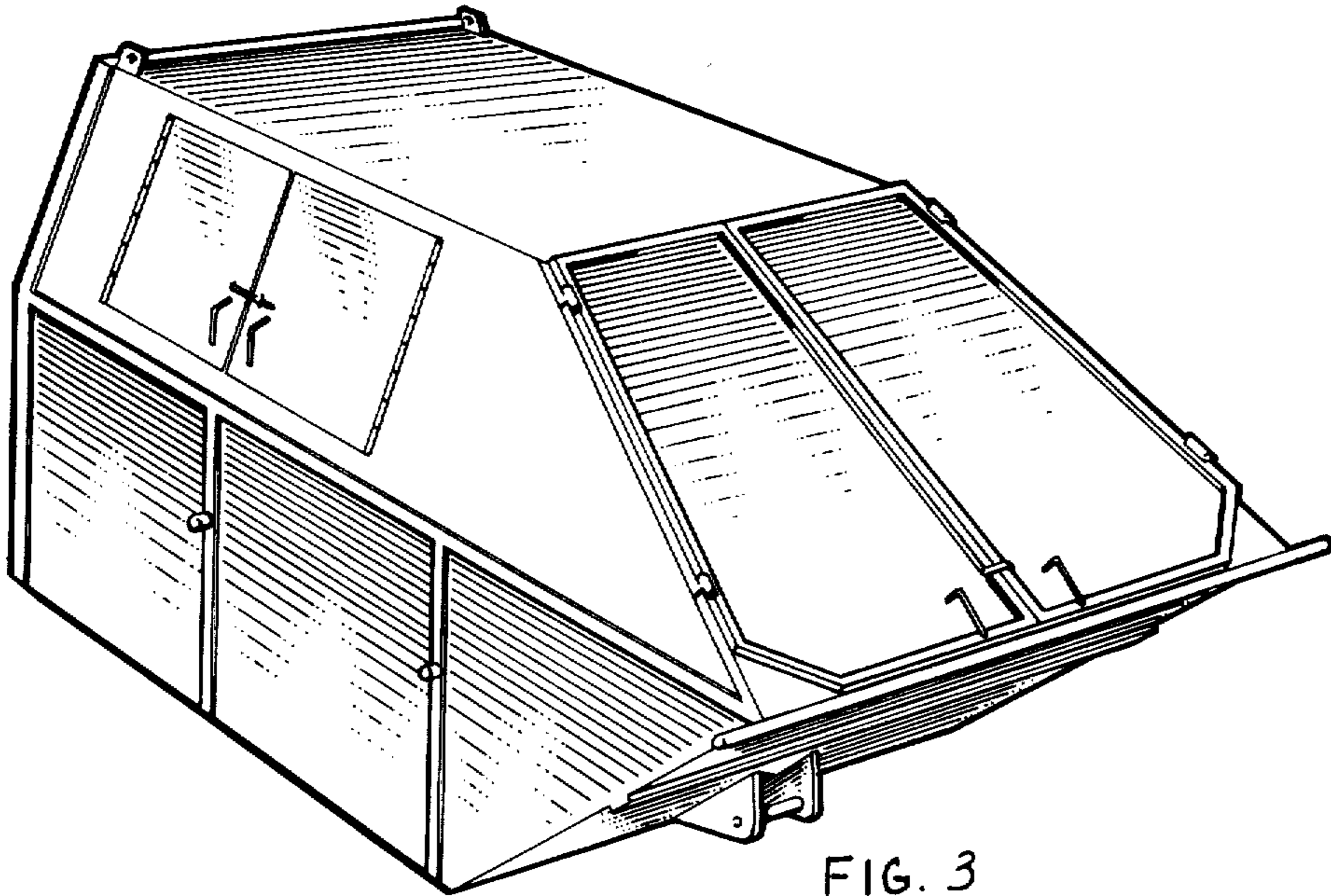


FIG. 3

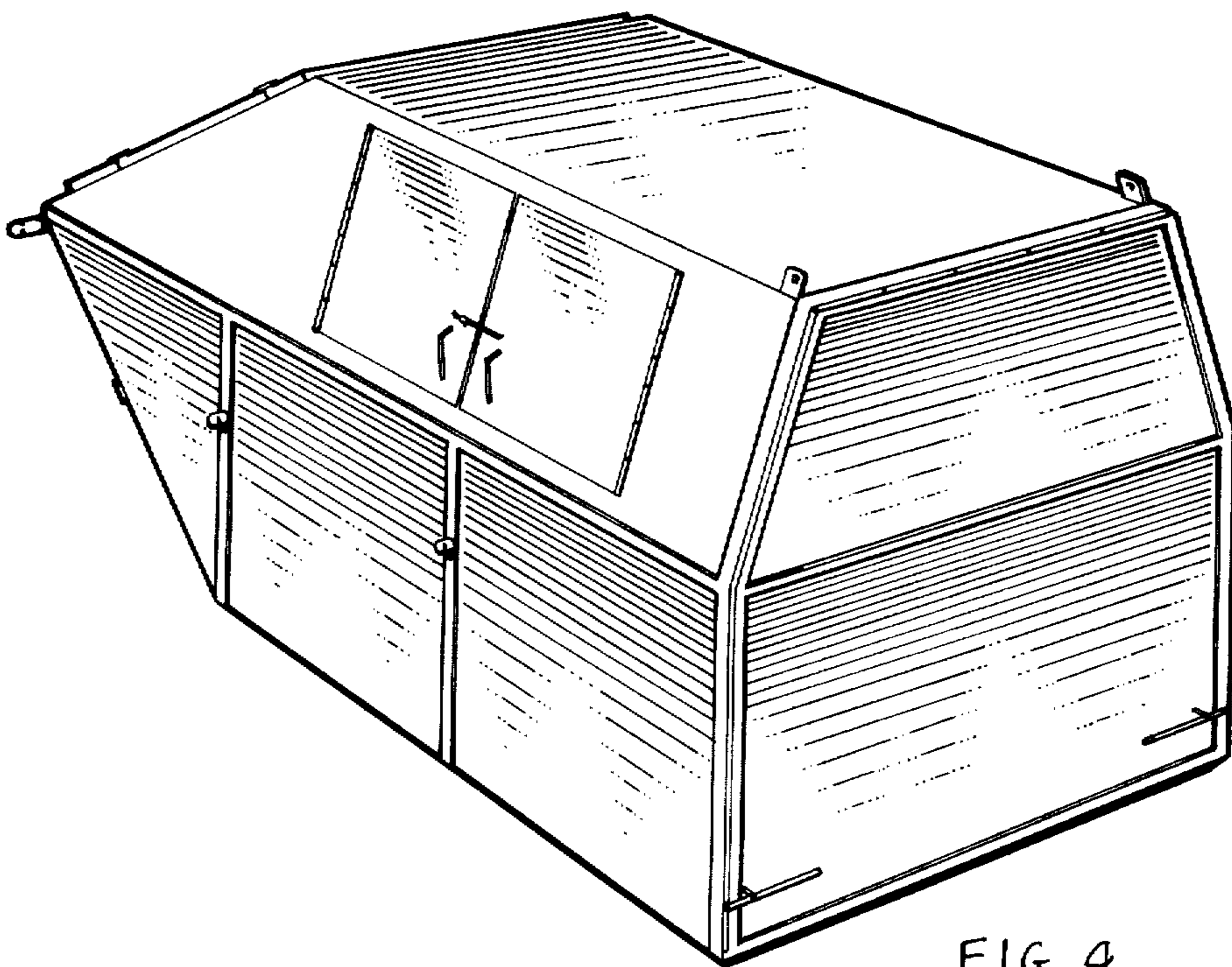


FIG. 4