

[54] **WORK CENTER**
 [75] Inventor: **Earl S. Swensson, Nashville, Tenn.**
 [73] Assignee: **University of Mississippi, University, Mich.**
 [**] Term: **14 Years**
 [21] Appl. No.: **543,162**
 [22] Filed: **Jan. 22, 1975**
 [51] Int. Cl. **D6-04**
 [52] U.S. Cl. **D6/159**
 [58] Field of Search **D6/157-189, D6/1, 4; D24/1 B; 32/22**

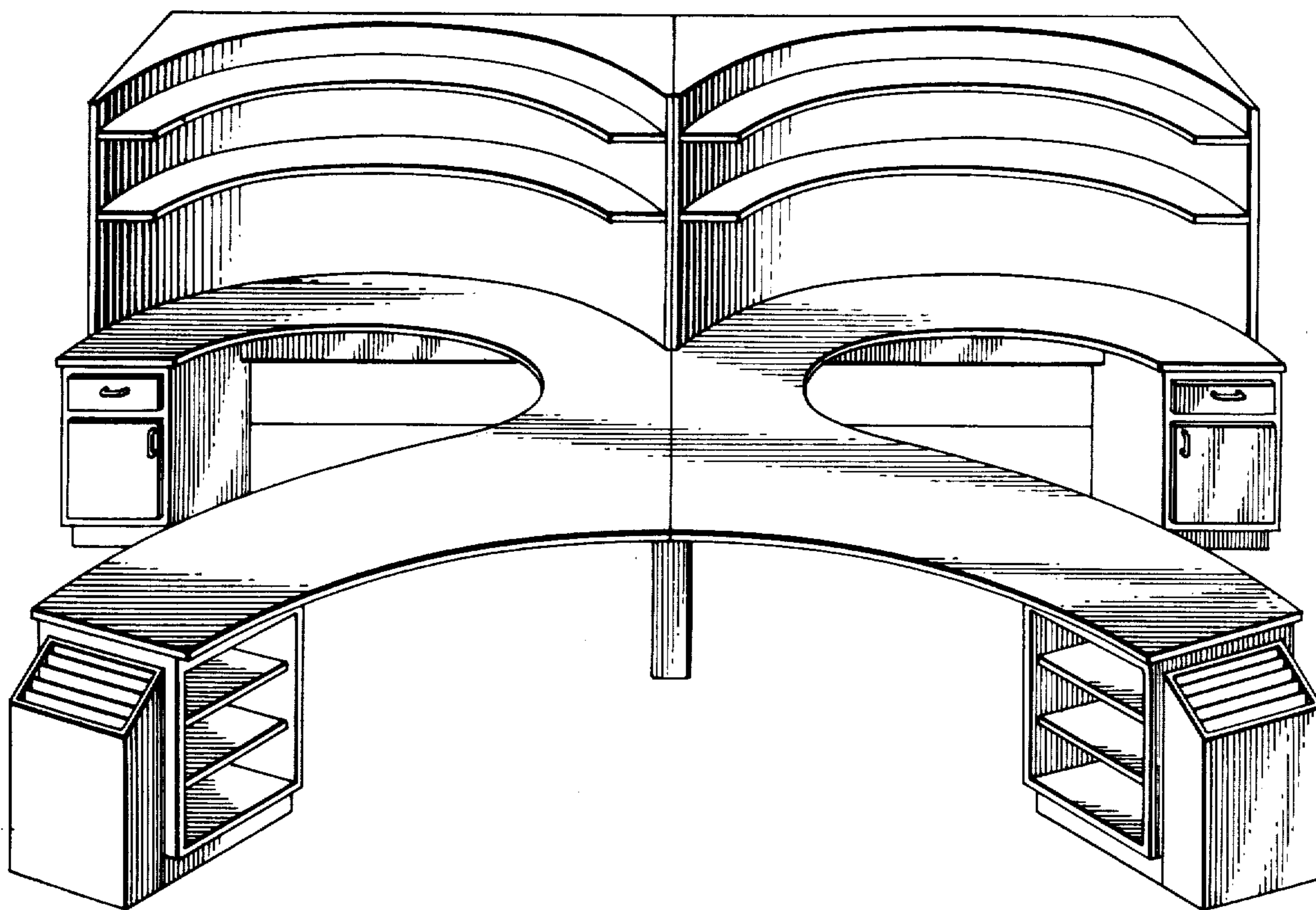
D196,053 8/1963 Rowell D6/161
 D209,405 11/1967 Barcio D6/161 X
 D225,996 1/1973 Schwartz D24/1 B
 D229,463 12/1973 Marshall et al. D6/162
 D232,009 7/1974 Schmitt D6/162

Primary Examiner—Bruce W. Dunkins
Attorney, Agent, or Firm—William D. Stokes

[56] **References Cited**
U.S. PATENT DOCUMENTS
 D183,361 8/1958 McCarthy et al. D6/162

[57] **CLAIM**
 The ornamental design for a work center, as shown.

DESCRIPTION
 FIG. 1 is a front view in perspective of the work center of this invention;
 FIG. 2 is a top view of the work center of this invention;
 and
 FIG. 3 is a front view of the work center of this invention.



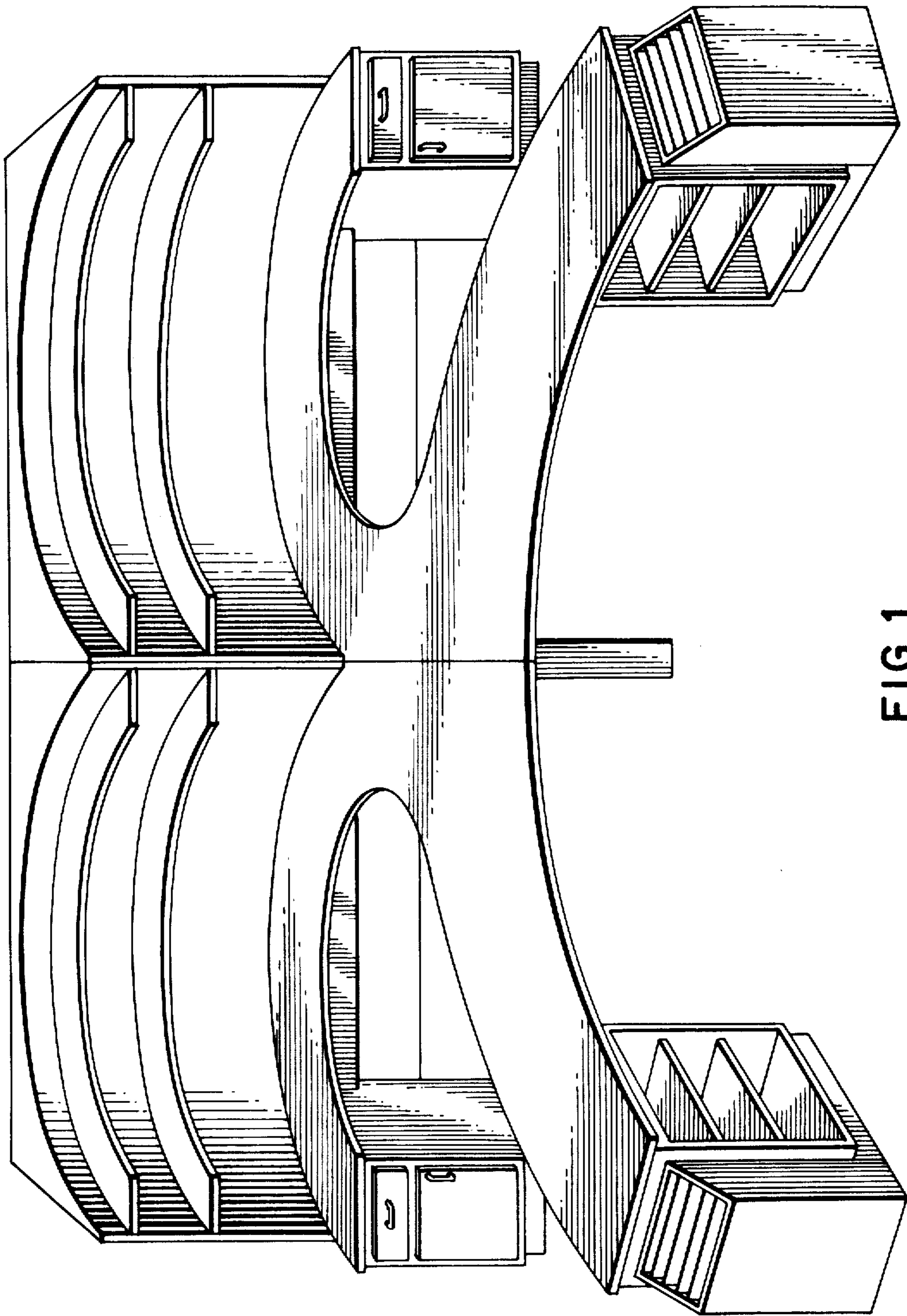


FIG.1

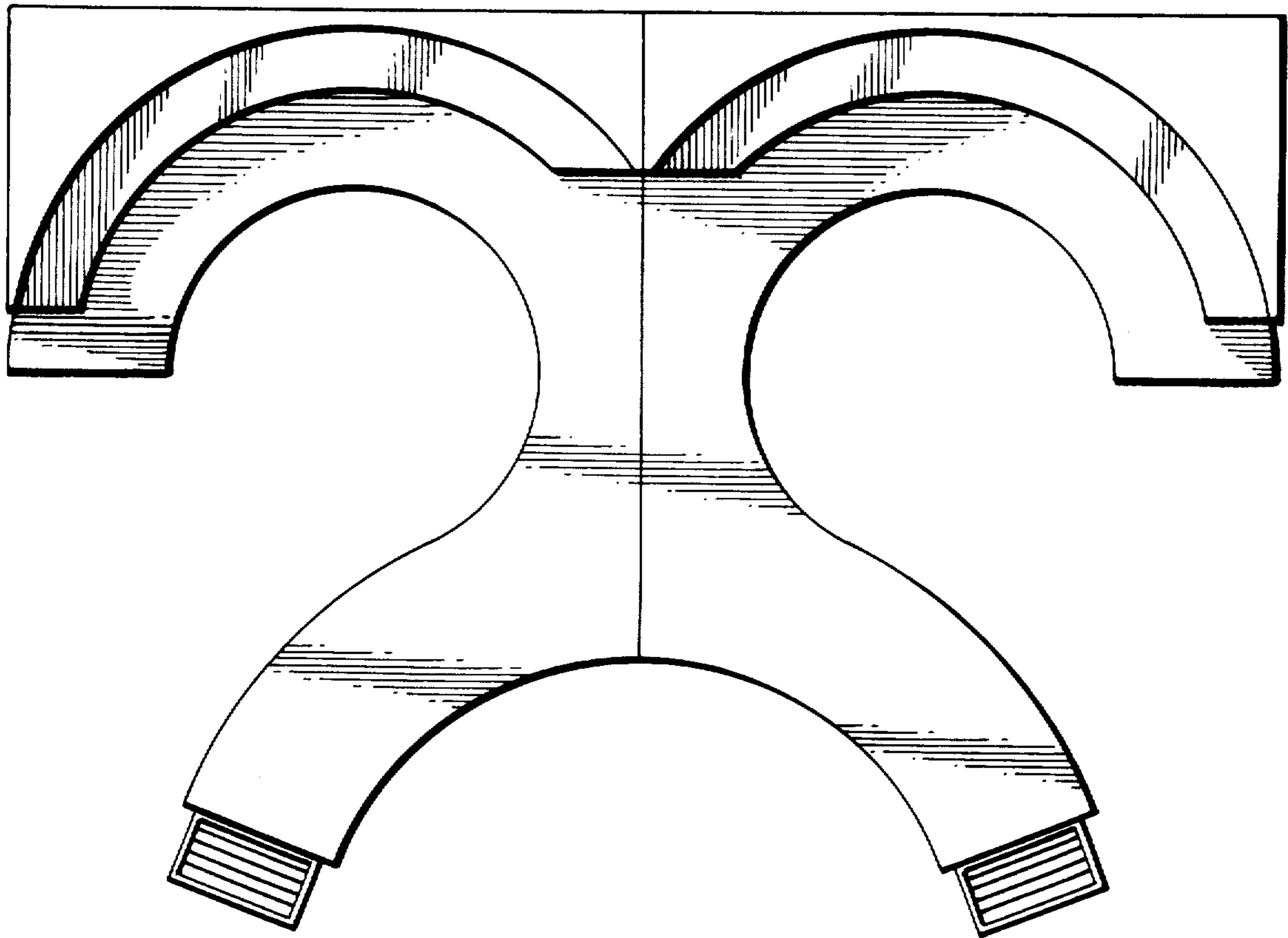


FIG. 2

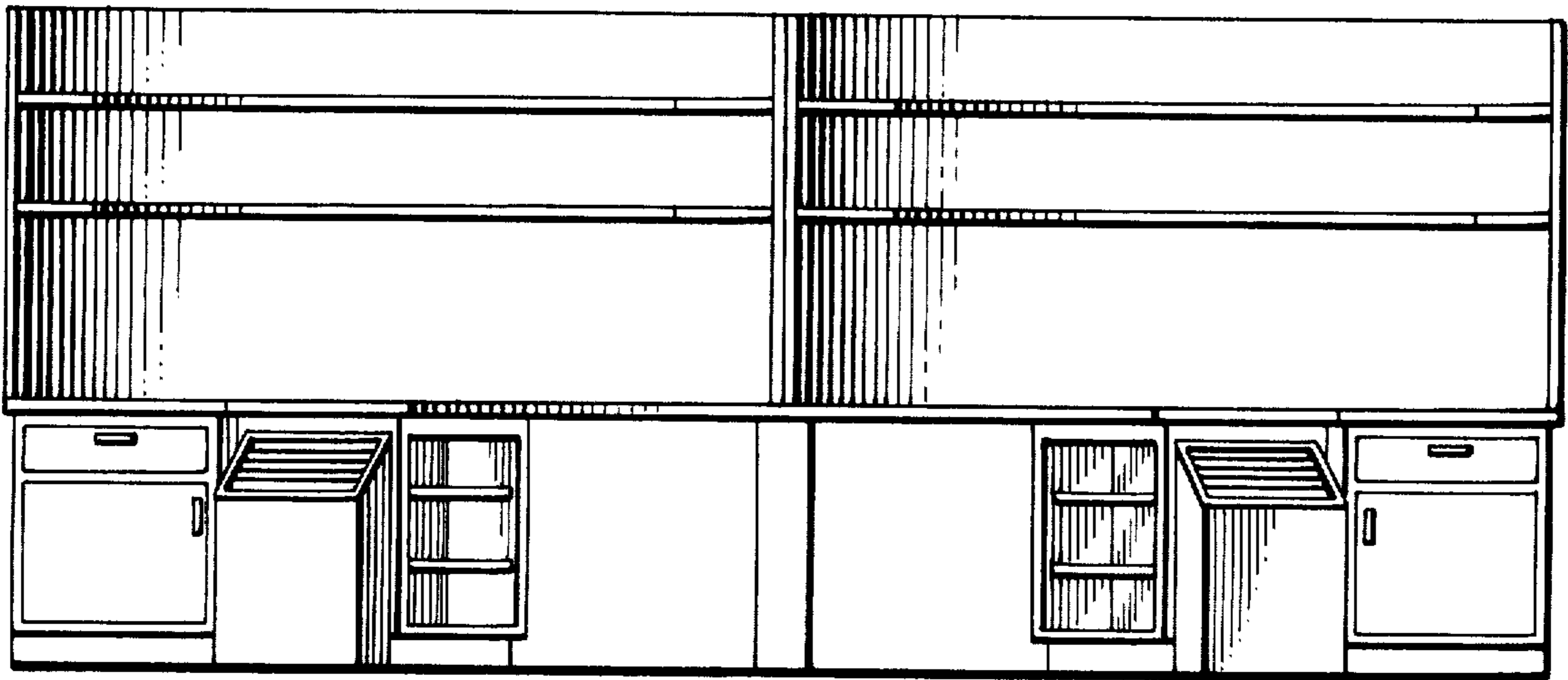


FIG. 3