

[54] FOOT MASSAGER OR SIMILAR ARTICLE

[76] Inventors: Rosa L. Posh, 713 Logan Ave., Bronx, N.Y. 10465; Fernando L. Jimenez, 112 Colonial Spring Road, Colonial Springs, N.Y. 11798

[**] Term: 14 Years

[21] Appl. No.: 573,544

[22] Filed: May 1, 1975

[51] Int. Cl. D28-03

[52] U.S. Cl. D83/1 S

[58] Field of Search D83/1 S; D34/5 K; 128/57; 272/79, 69, 70, 57 D

[56] References Cited

U.S. PATENT DOCUMENTS

2,052,656 9/1936 Prien 128/57
2,512,904 6/1950 Strelecky 128/57

3,088,458 5/1963 Stewart 83/1 S
3,759,250 9/1973 Salata 128/57
D. 127,686 6/1941 Milton D83/1 S
D. 202,085 8/1965 Tasker D83/1 S

Primary Examiner—Bernard Ansher
Attorney, Agent, or Firm—James J. Romano, Jr.

[57] CLAIM

The ornamental design for foot massager or similar article, substantially as shown.

DESCRIPTION

FIG. 1 is a perspective view of the foot massager showing our new design;
FIG. 2 is a side view of the side other than that shown in FIG. 1;
FIG. 3 is an end view of the end other than that shown in FIG. 1; and
FIG. 4 is a bottom plan view thereof.

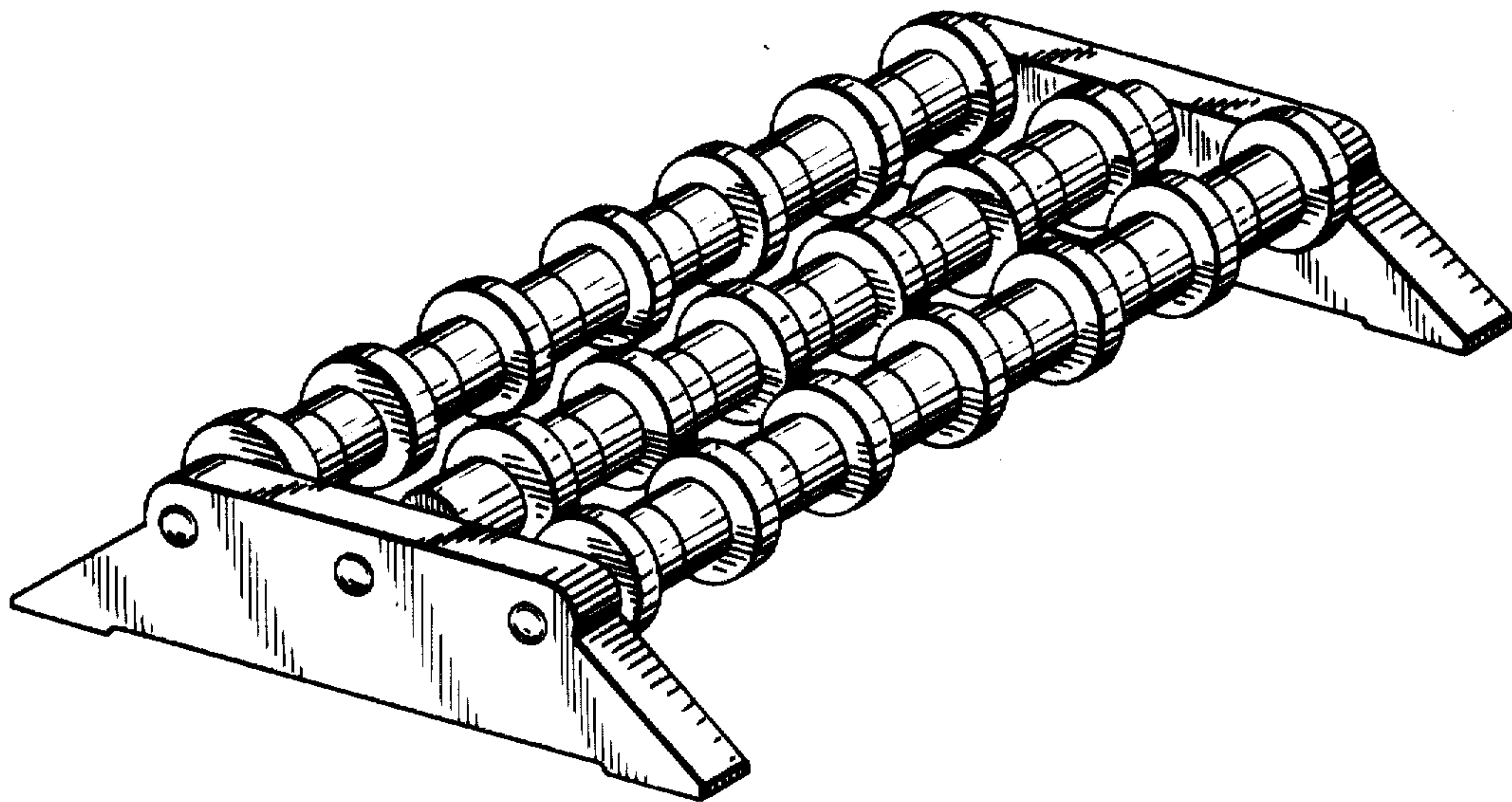


FIG. 1

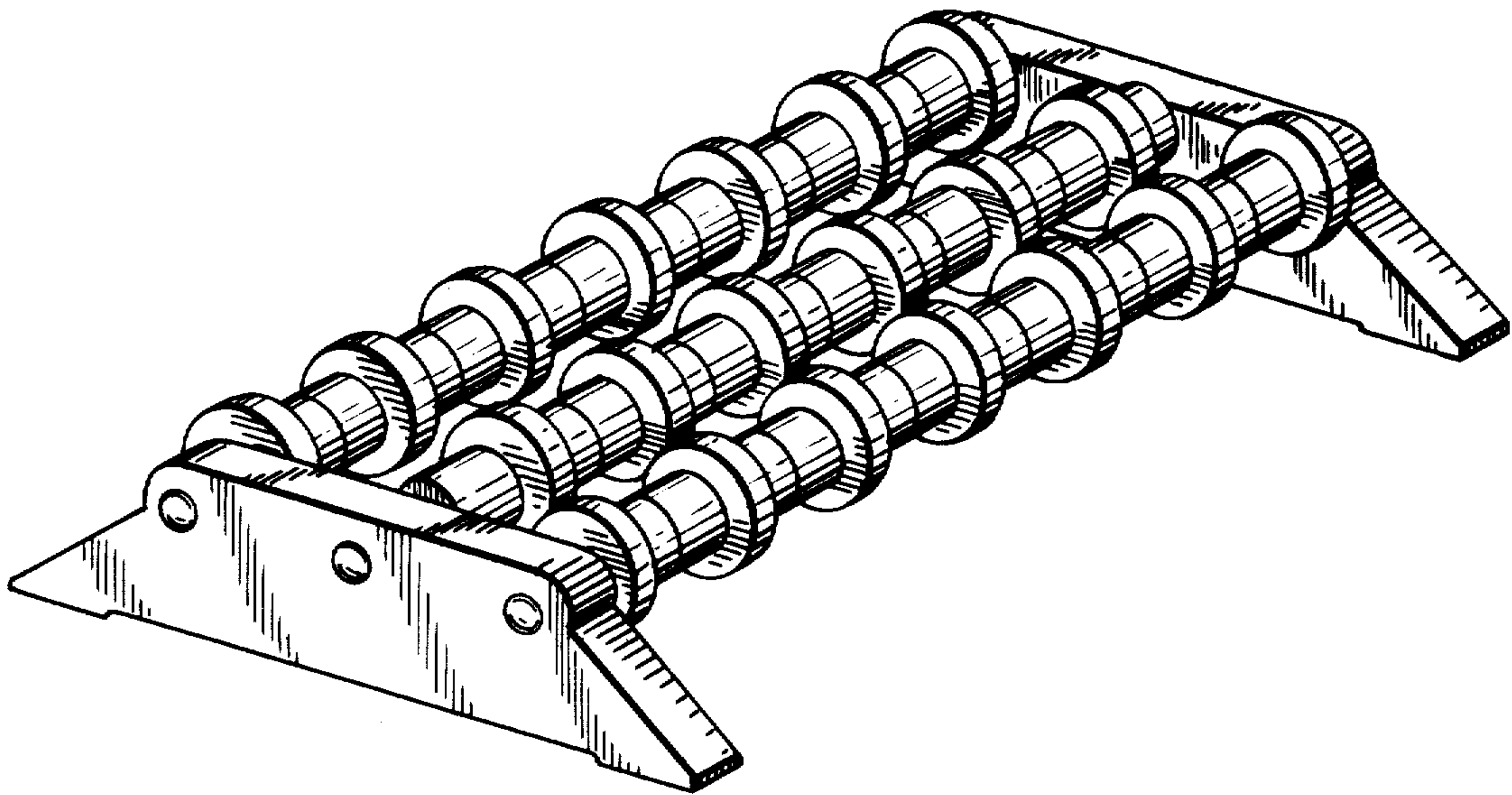


FIG. 2

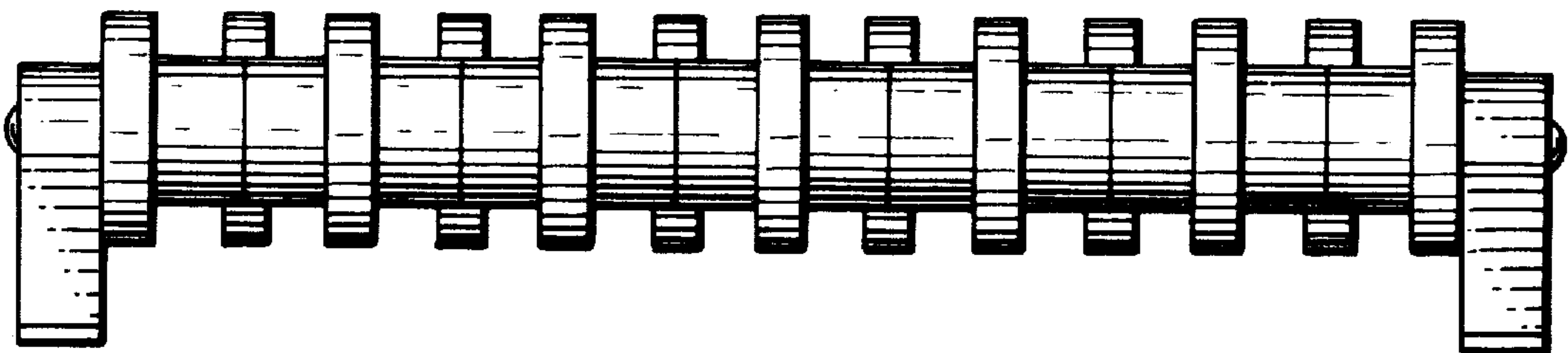


FIG.3

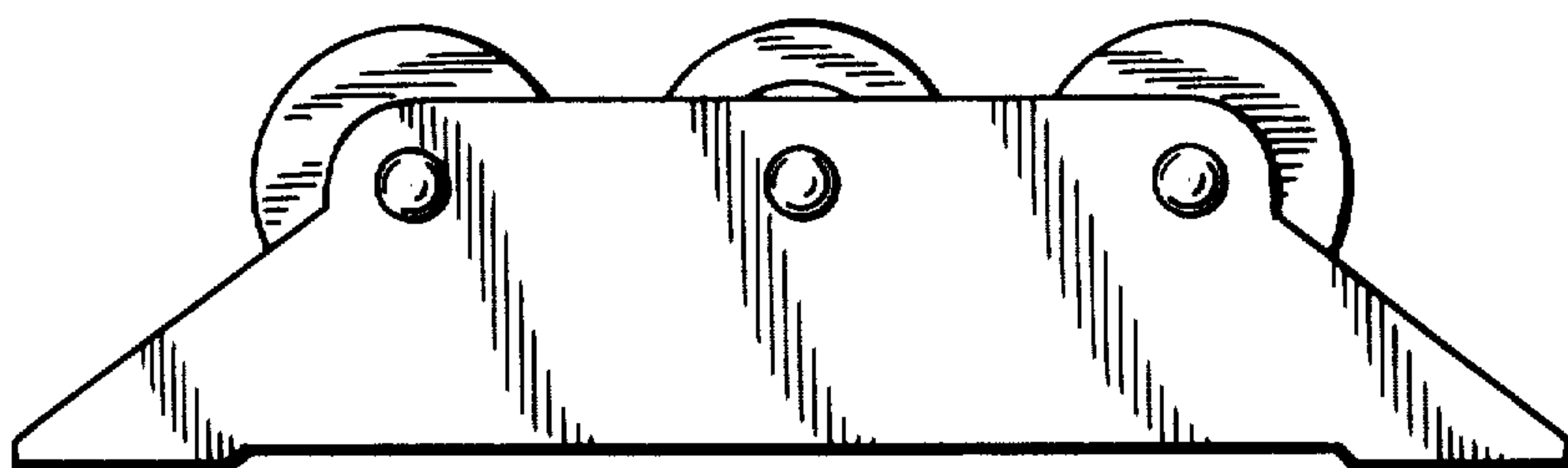


FIG.4

