

[54] **LIVESTOCK FEED BUNK**
 [75] Inventor: **Wesley Max Walker**, Loveland, Colo.
 [73] Assignee: **Walker Manufacturing Company**, Fort Collins, Colo.
 [**] Term: **14 Years**
 [21] Appl. No.: **609,351**
 [22] Filed: **Sept. 2, 1975**
 [51] Int. Cl. **D30—03**
 [52] U.S. Cl. **D30/13**
 [58] Field of Search **D30/13-18;**
 119/51 R, 52 R, 58, 60, 61, 72

3,121,418 2/1964 Stone 119/61
 D. 210,602 3/1968 Ott D30/13

Primary Examiner—Melvin B. Feifer
Assistant Examiner—George P. Word
Attorney, Agent, or Firm—Hugh H. Drake

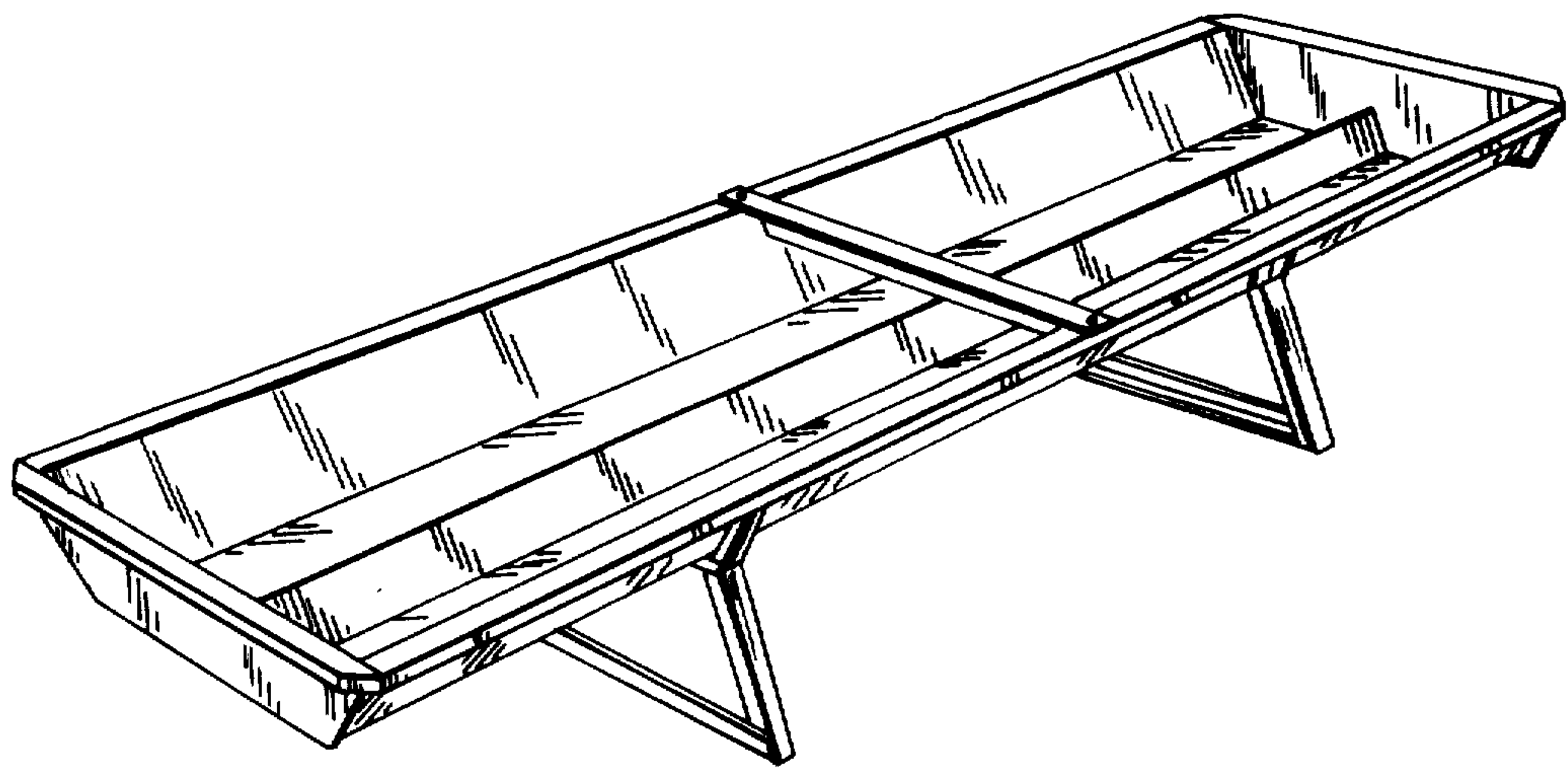
[57] **CLAIM**

The ornamental design for a livestock feed bunk, as shown and described.

DESCRIPTION

FIG. 1 is a perspective view of a livestock feed bunk embodying my new design;
 FIG. 2 is a rear-elevational view;
 FIG. 3 is a top plan view thereof;
 FIG. 4 is a bottom plan view thereof;
 FIG. 5 is a right end elevational view; and
 FIG. 6 is a cross-sectional view taken along the line 6—6 in FIG. 2.

[56] **References Cited**
U.S. PATENT DOCUMENTS
 1,563,497 12/1925 Klow 119/61
 1,899,519 2/1933 Neilsen 119/51 R



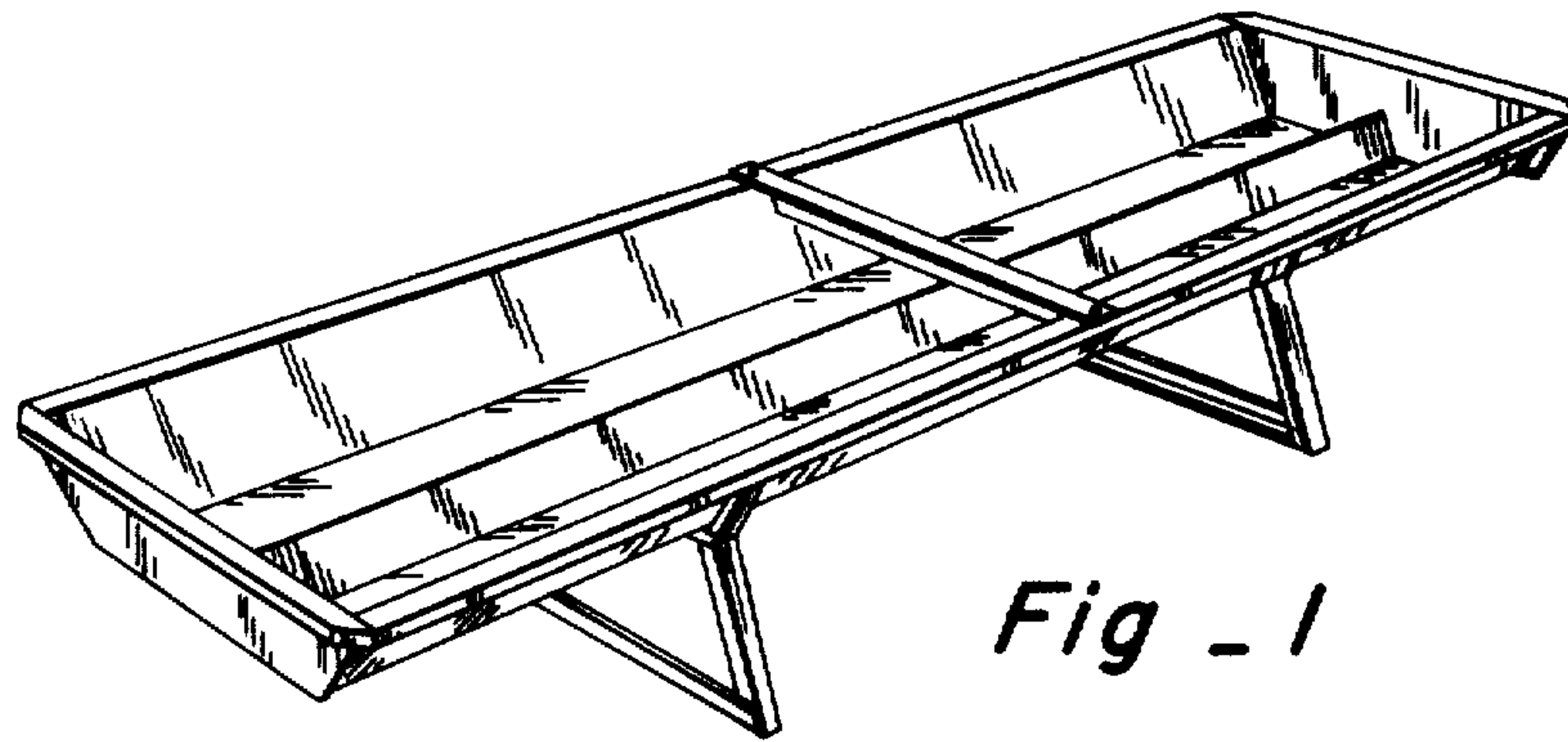


Fig - 1

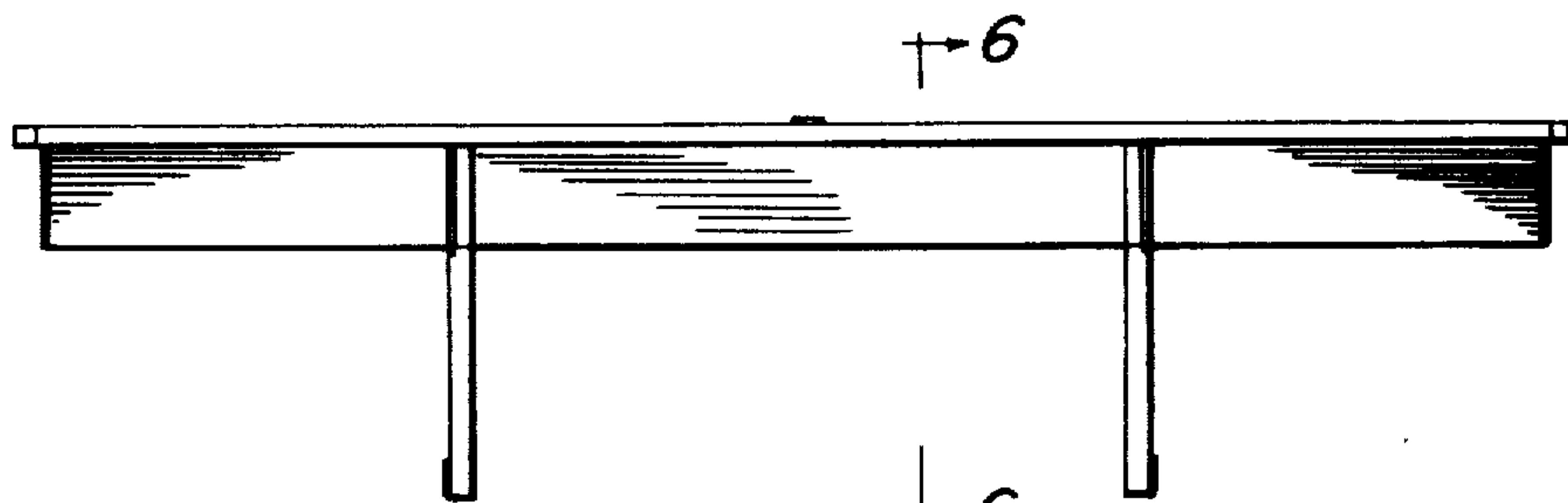


Fig - 2

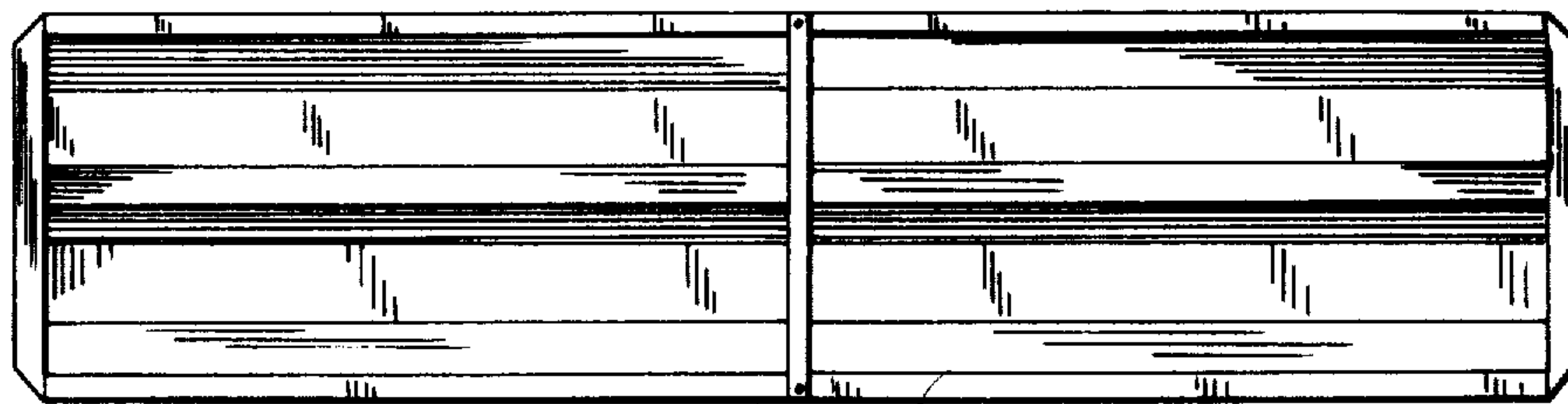


Fig - 3

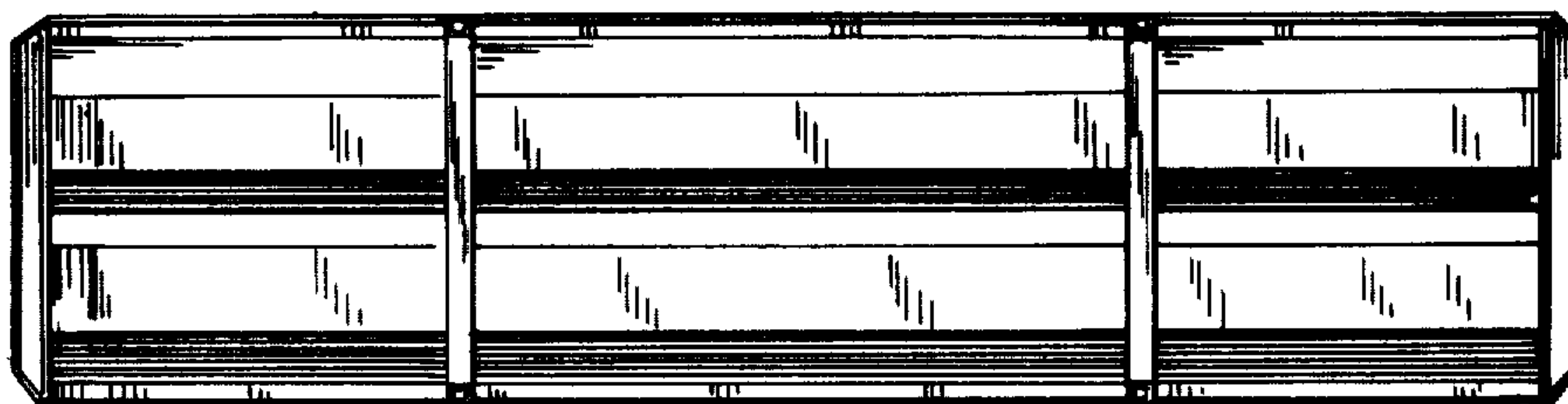


Fig - 4

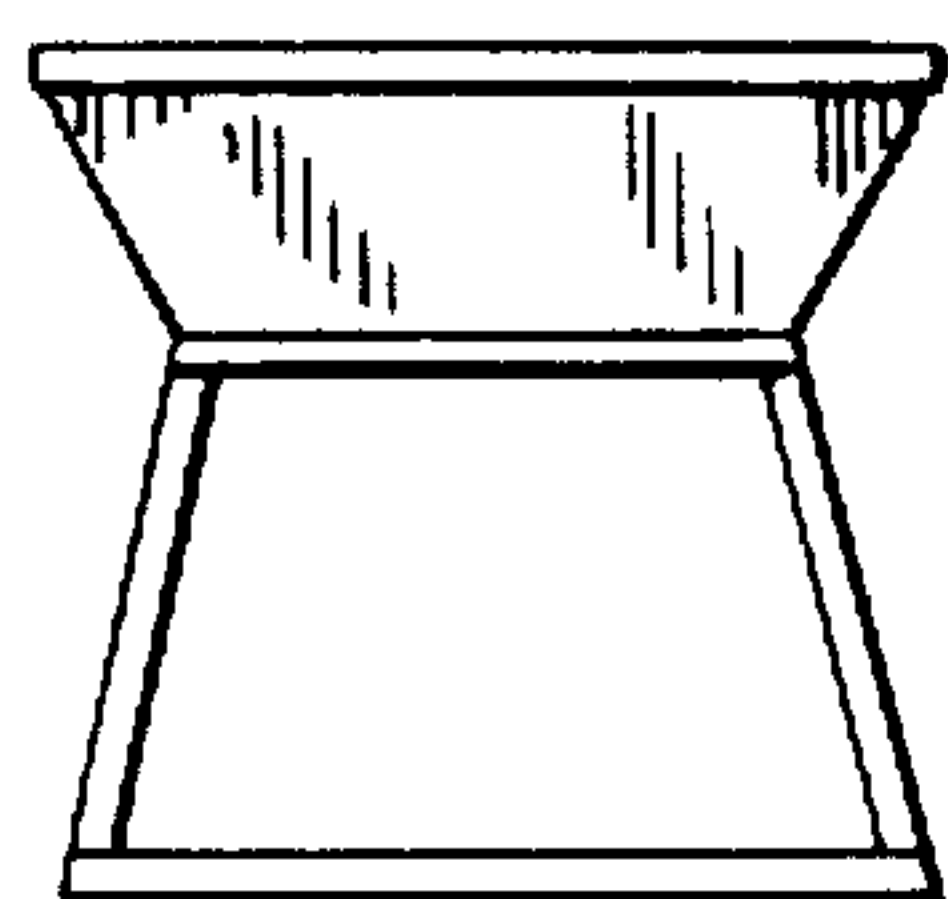


Fig - 5

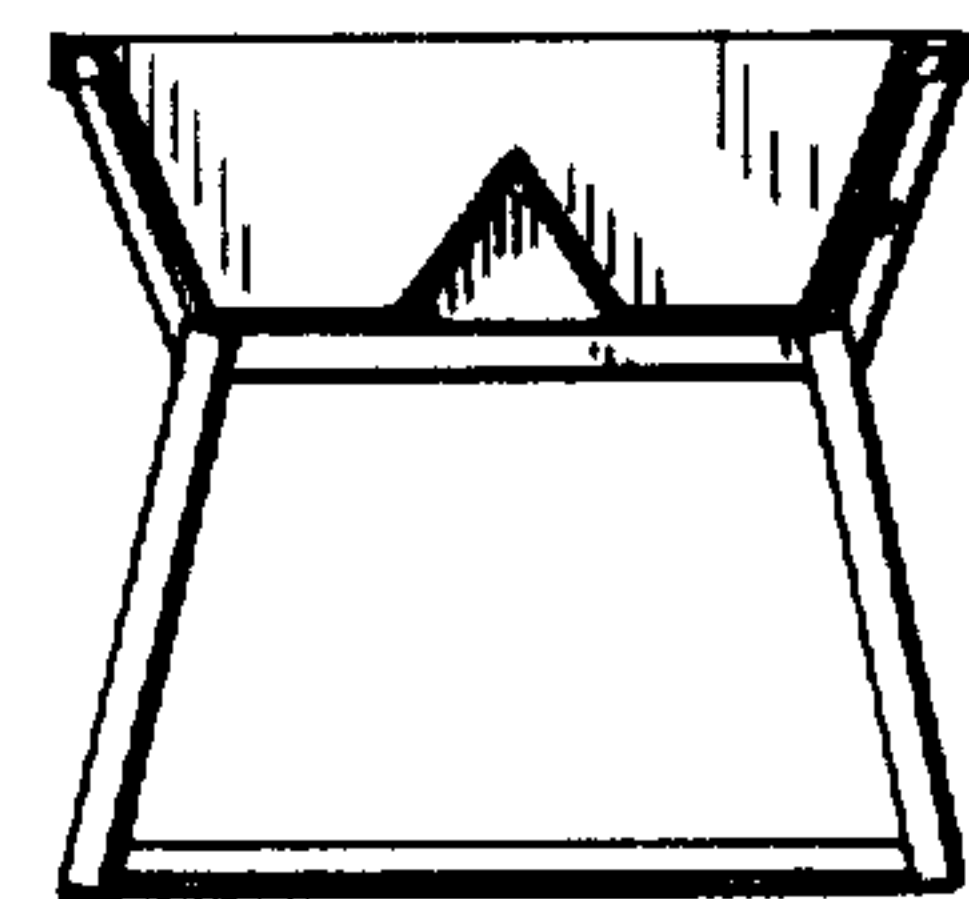


Fig - 6