

[54] PLASTIC THERMAL BARRIER FOR USE IN CONSTRUCTING THERMALLY INSULATED WINDOWS DOORS, AND/OR FRAMES AND THE LIKE

[75] Inventor: Dietrich F. Schmidt, Carlisle, Pa.

[73] Assignee: Capitol Products Corporation, Mechanicsburg, Pa.

[**] Term: 14 Years

[21] Appl. No.: 544,197

[22] Filed: Jan. 27, 1975

[51] Int. Cl. D25-01
[52] U.S. Cl. D25/76
[58] Field of Search D13/6, 1 R, 1 M, 1 H, D13/DIG. 2; 49/303, 486, 475, 483, DIG. 1, DIG. 2, 155, 404; 29/155 R, 150, 155 C; 52/403, 738, 739, 728, 695, 702, 289, 731, 732, 733, 720, 282, 243, 726, 782

[56]

References Cited

U.S. PATENT DOCUMENTS

1,485,449	3/1924	Baloun	52/241
2,591,780	4/1952	Cameron	52/616 X
3,110,374	11/1963	Valverde	52/729 X

Primary Examiner—Wallace R. Burke
Assistant Examiner—Larry Jones
Attorney, Agent, or Firm—Donald L. Johnson

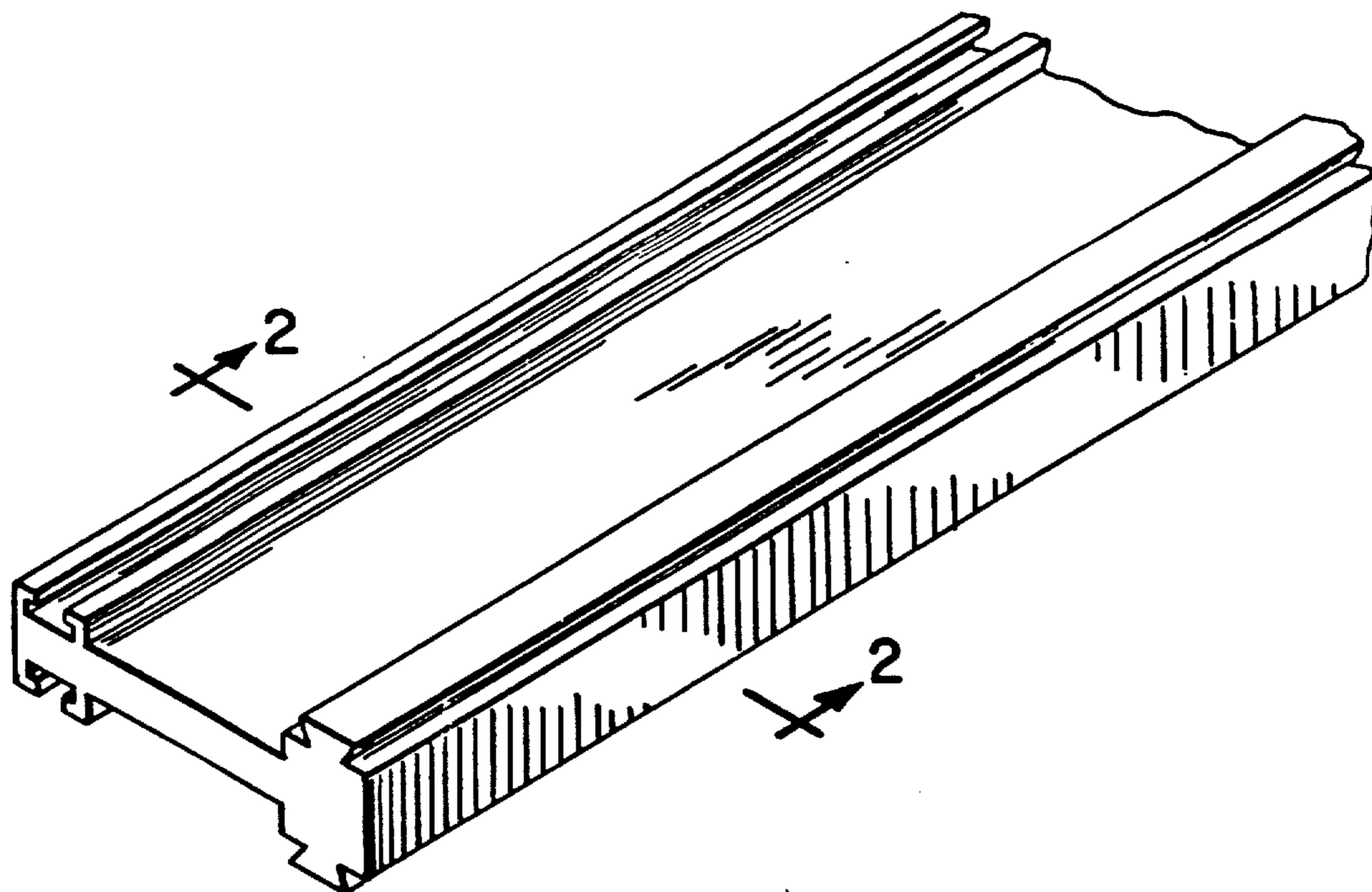
[57]

CLAIM

The ornamental design for a plastic thermal barrier for use in constructing thermally insulated windows, doors, and/or frames and the like, substantially as shown and described.

DESCRIPTION

FIG. 1 is a perspective view of a plastic thermal barrier for use in constructing thermally insulated windows, doors, frames and the like, shown fragmentarily to indicate indeterminate length;
FIG. 2 is a sectional view thereof taken along line 2—2 of FIG. 1;
FIG. 3 is a top plan view thereof, the other side being a mirror image thereof.



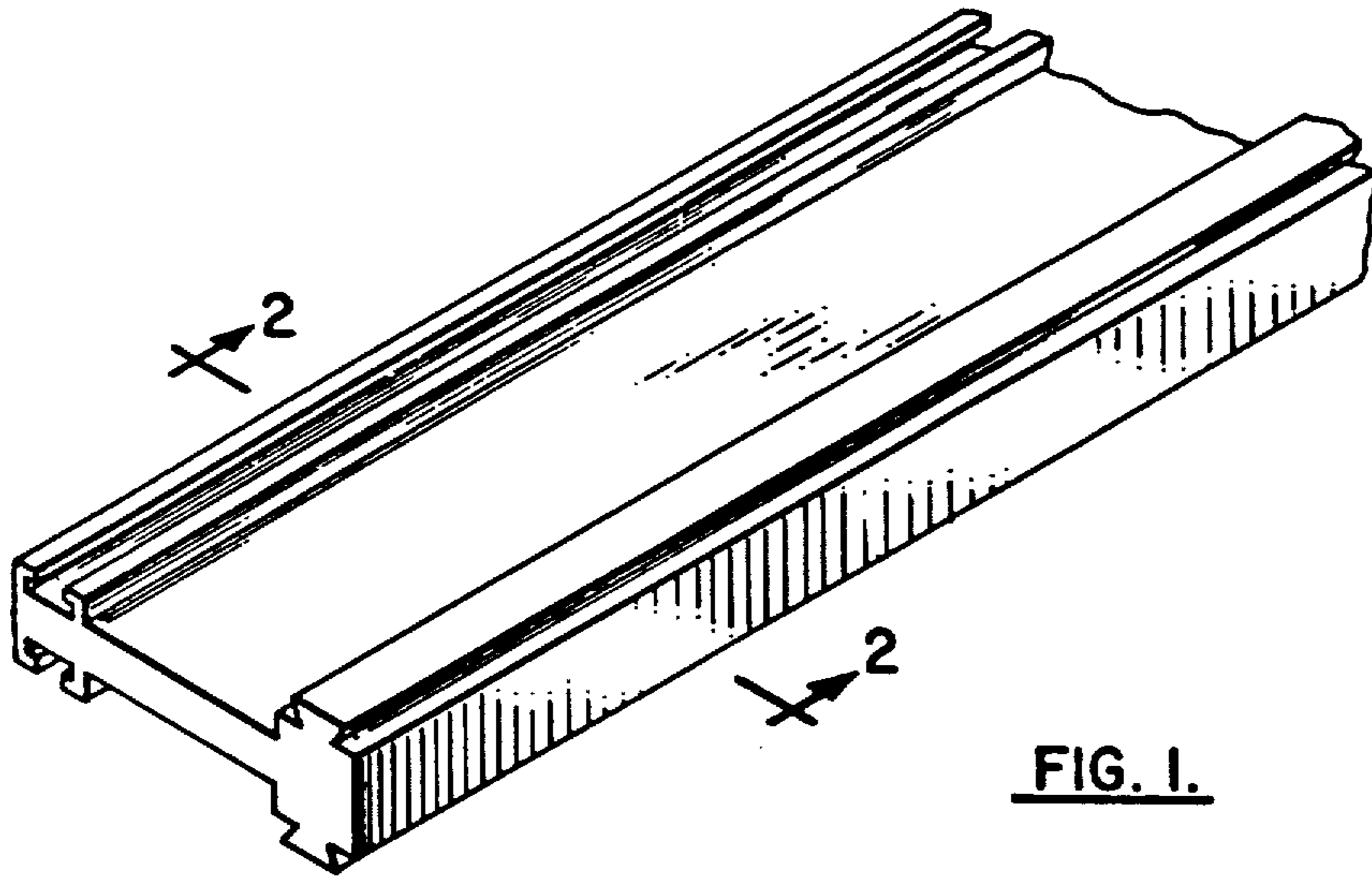


FIG. 1.



FIG. 2.

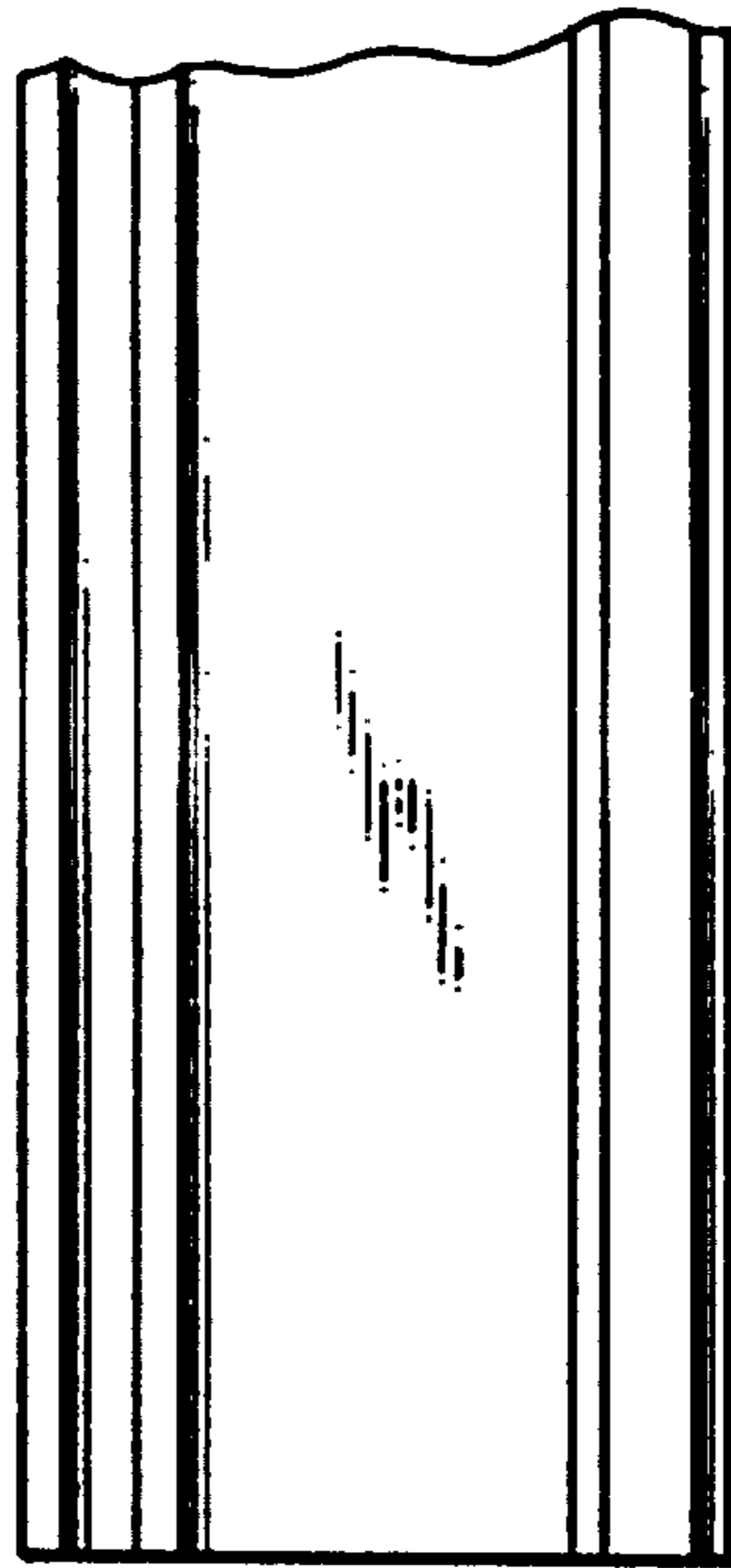


FIG. 3.