

[54] **MILK LINE CHECK VALVE**

[75] Inventor: **Kendall R. Johnson**, Albert Lea, Minn.

[73] Assignee: **Universal Cooperatives, Inc.**, Albert Lea, Minn.

[\*\*] Term: **14 Years**

[21] Appl. No.: **638,601**

[22] Filed: **Dec. 8, 1975**

[51] Int. Cl. .... **D23-01**

[52] U.S. Cl. .... **D23/22**

[58] Field of Search ..... **D23/19-22;**  
 119/14.03, 14.18; 137/533.11

2,730,992 1/1956 Kessler ..... 119/14.03

Primary Examiner—James R. Largen  
Attorney, Agent, or Firm—Everett J. Schroeder

[57] **CLAIM**

The ornamental design for a milk line check valve, as shown.

**DESCRIPTION**

FIG. 1 is a perspective view taken from the top, front and one side of a milk line check valve showing my new design;

FIG. 2 is a perspective view taken from the bottom, rear and side opposite that shown in FIG. 1;

FIG. 3 is a side elevational view of the same;

FIG. 4 is an elevational view taken from the side opposite that shown in FIG. 3;

FIG. 5 is a top plan view of the same; and

FIG. 6 is a bottom plan view of the same.

[56] **References Cited**

**U.S. PATENT DOCUMENTS**

903,081 11/1908 Guthrie ..... 137/533.11 X

975,243 11/1910 Hitchcock ..... 137/533.11

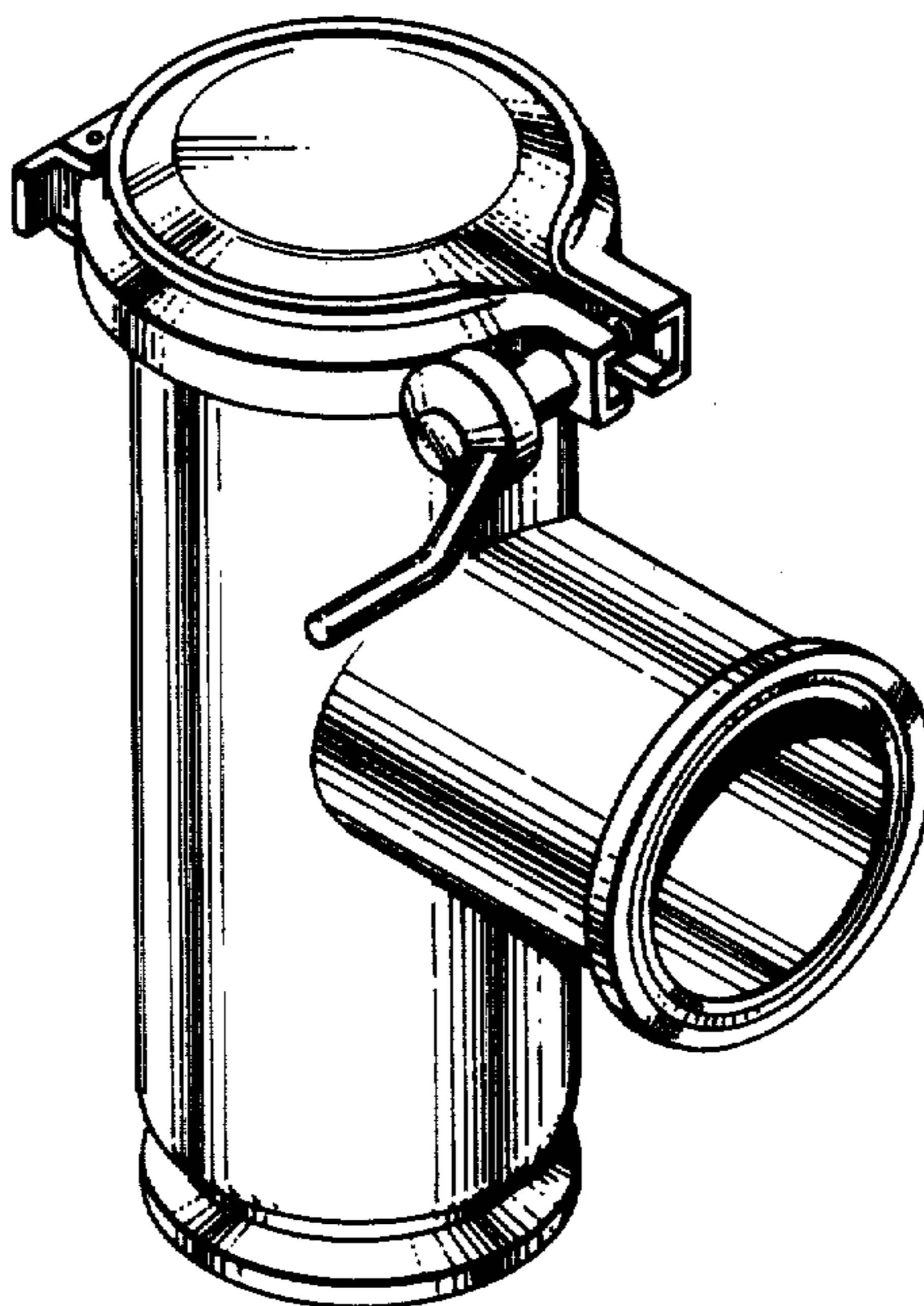


Fig. 3

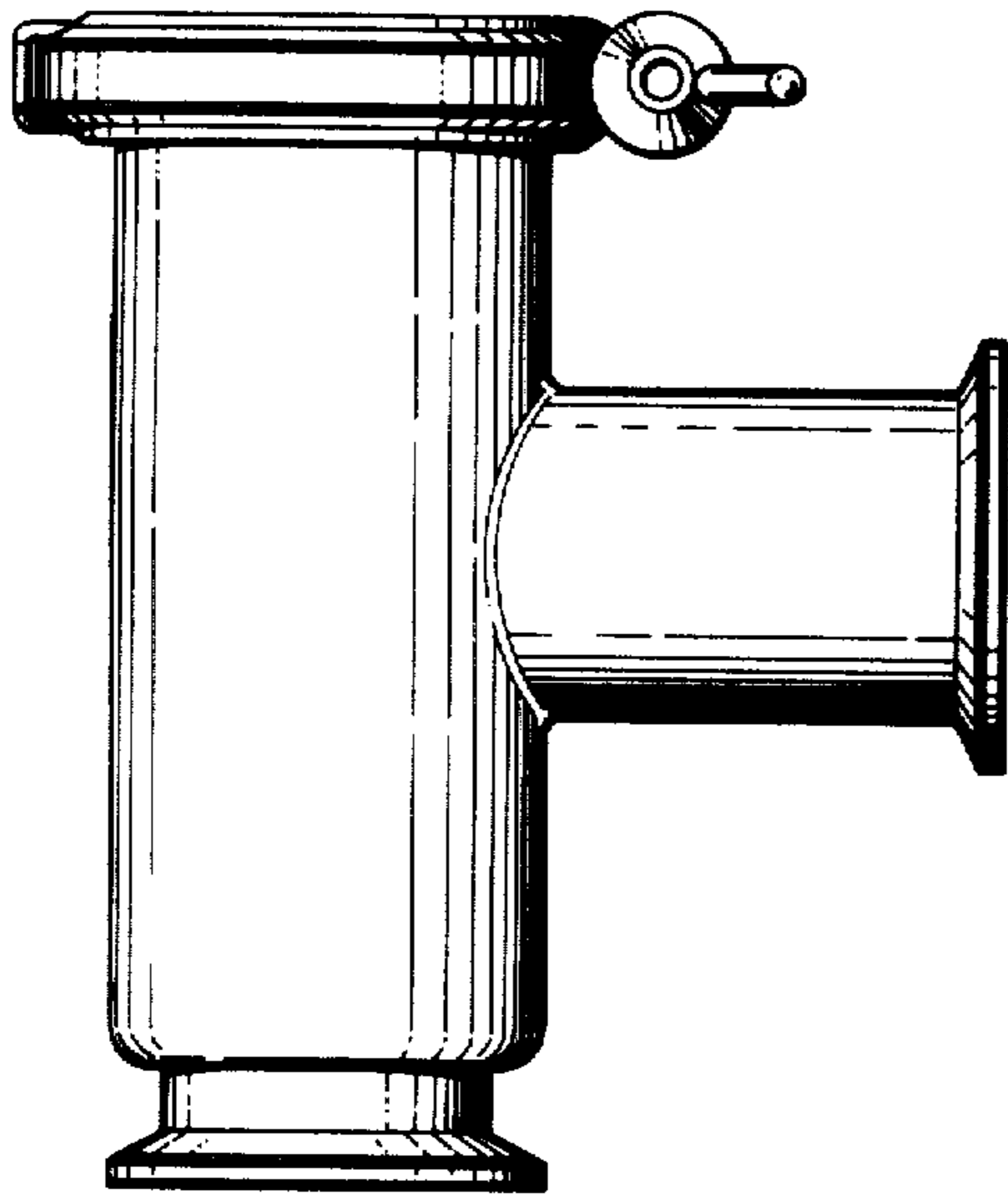


Fig. 4

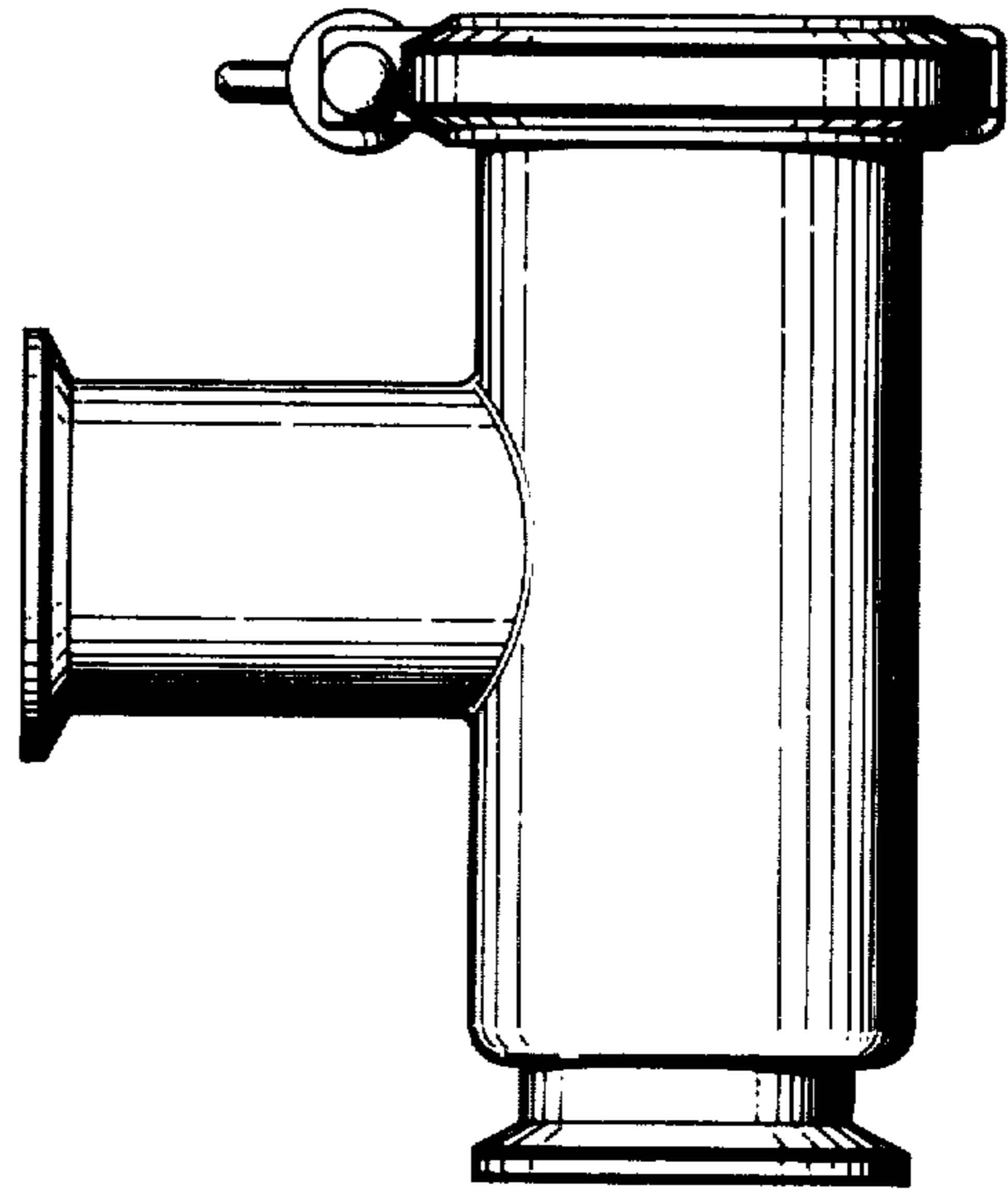


Fig. 5

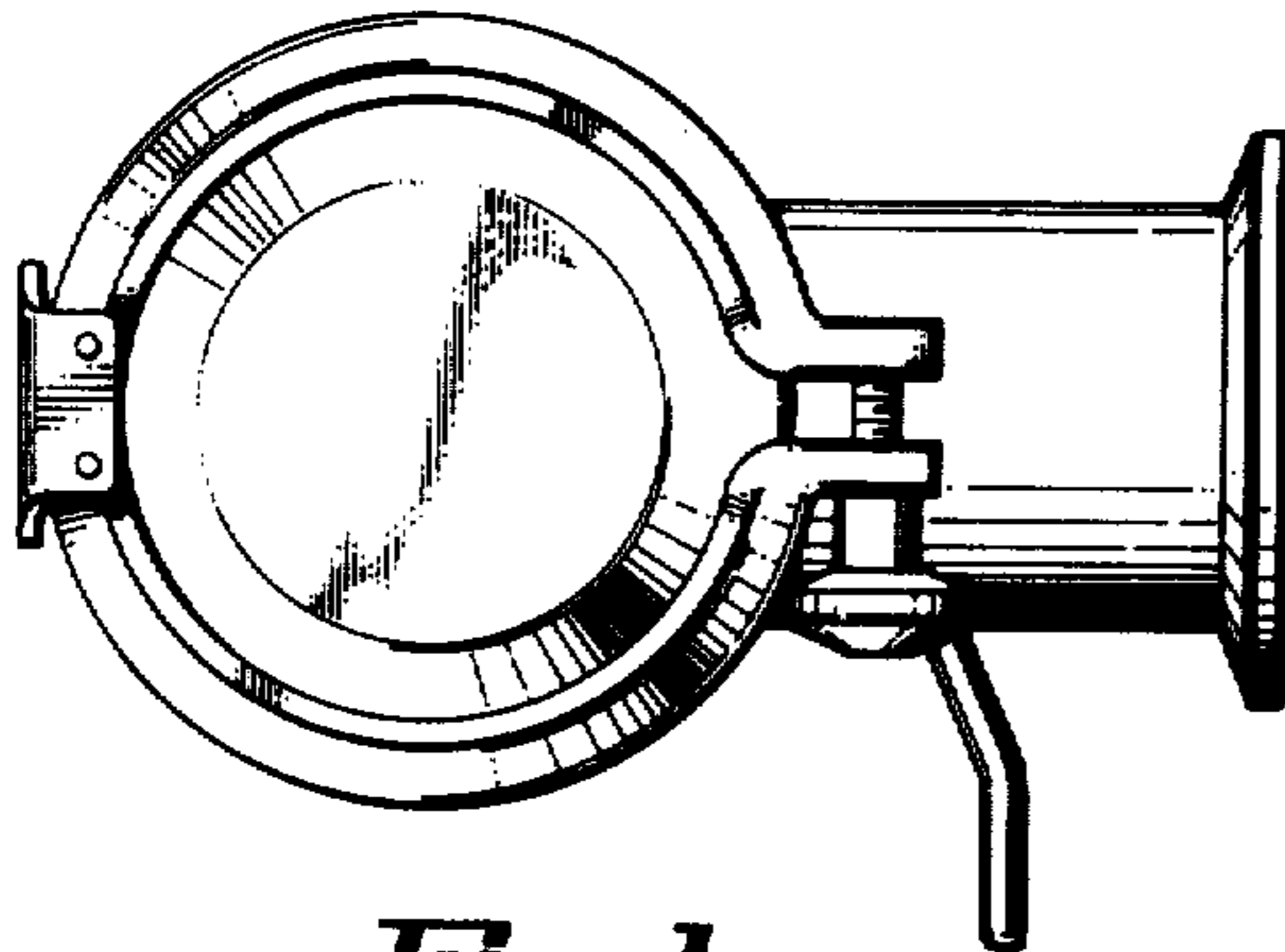


Fig. 6

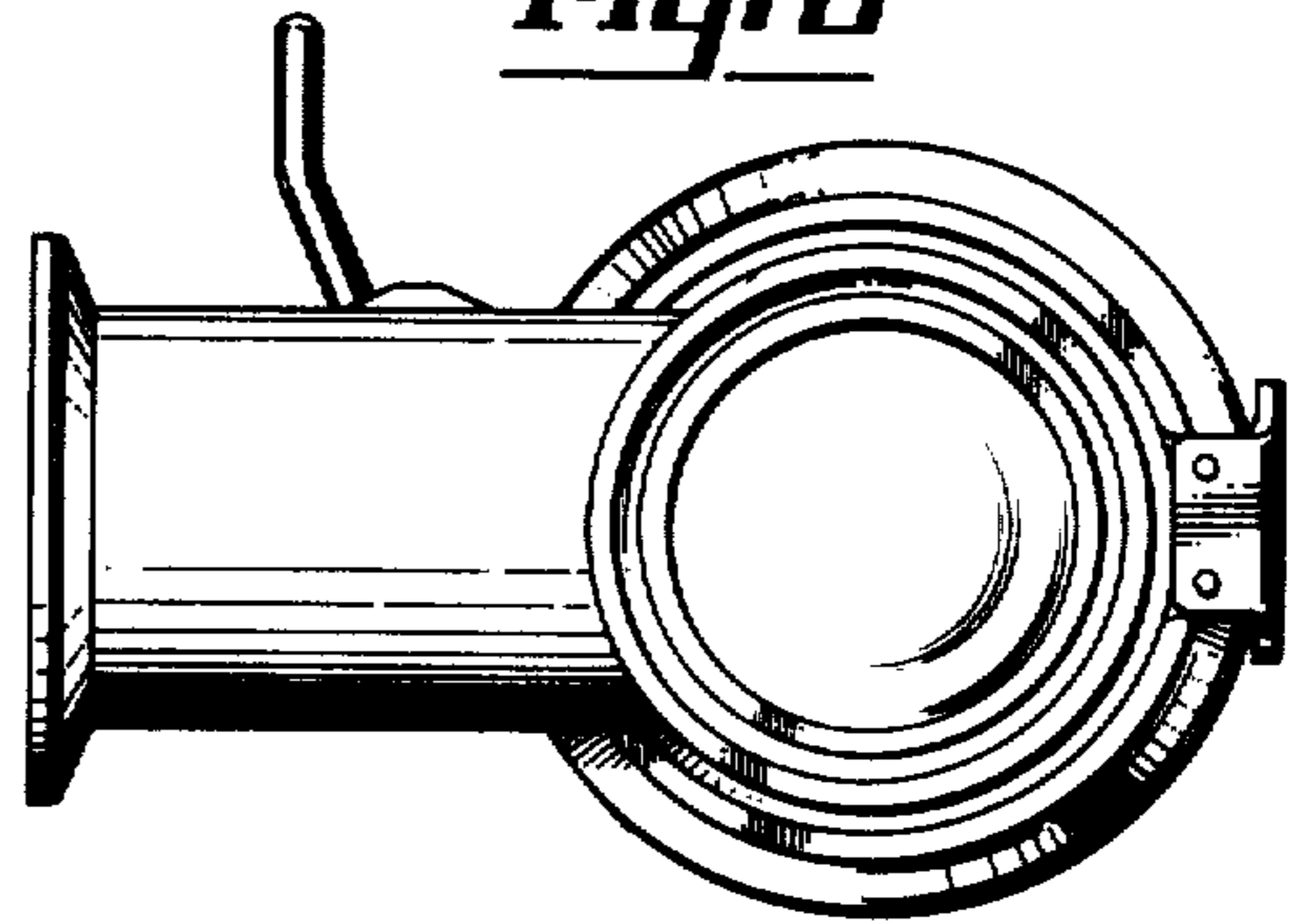


Fig. 1

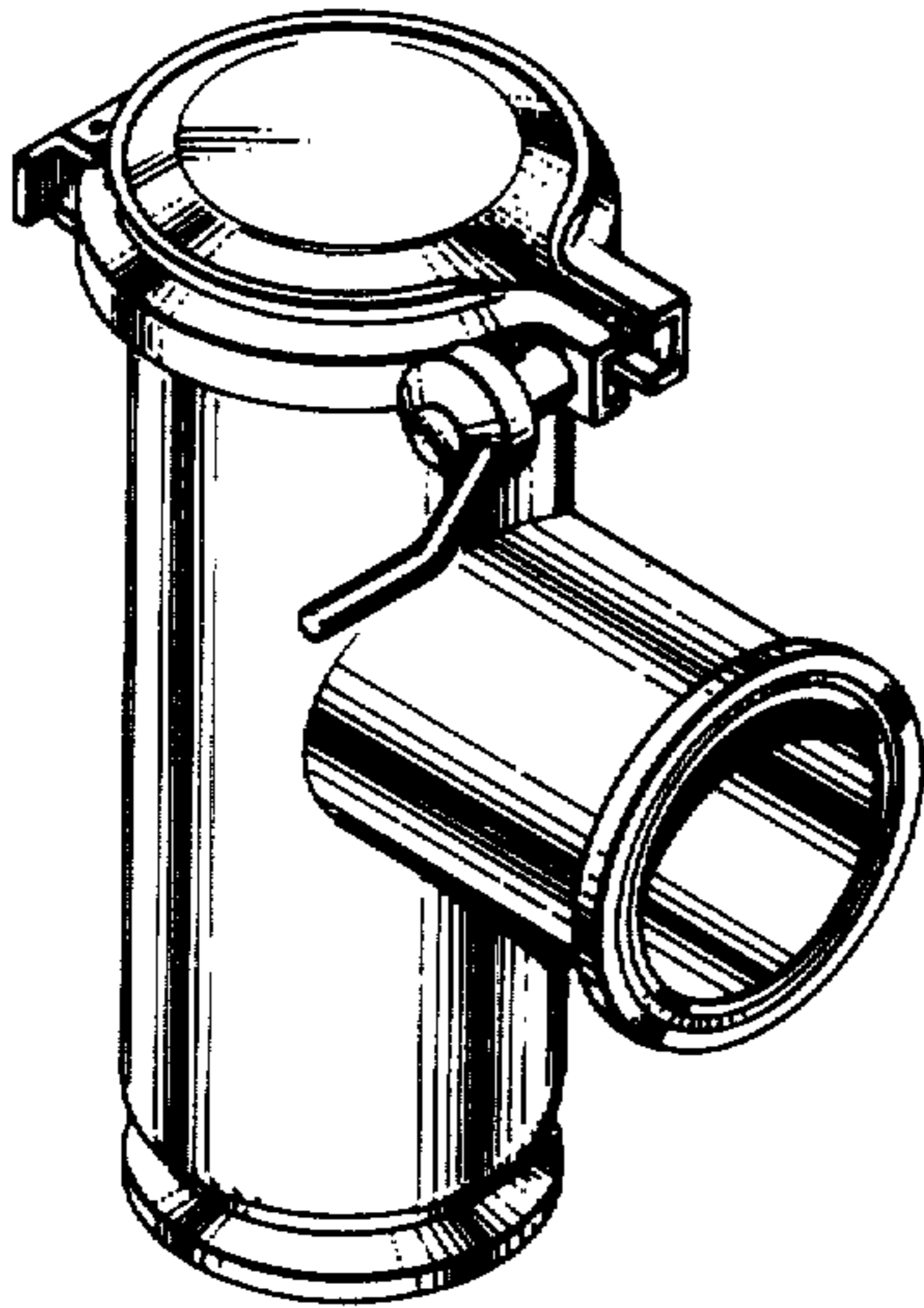


Fig. 2

