

[54] MICROSCOPE VERTICAL FLUORESCENT ILLUMINATOR

[75] Inventor: John T. Armbruster, Niagara Falls, N.Y.

[73] Assignee: American Optical Corporation, Southbridge, Mass.

[**] Term: 14 Years

[21] Appl. No.: 659,448

[22] Filed: Feb. 19, 1976

[51] Int. Cl. D16-06

[52] U.S. Cl. D16/83

[58] Field of Search D16/57, 58, 83; 350/87; 240/2 R, 2 MA; D48/20 E

[56] References Cited

U.S. PATENT DOCUMENTS

2,351,736 6/1944 Benford 350/87

3,360,641	12/1967	Korte	350/87 X
D. 198,142	5/1964	Armbruster	D16/57 X
D. 209,096	10/1967	Esmay et al.	D16/57 X
D. 215,889	11/1969	Suzuki	D16/57 X

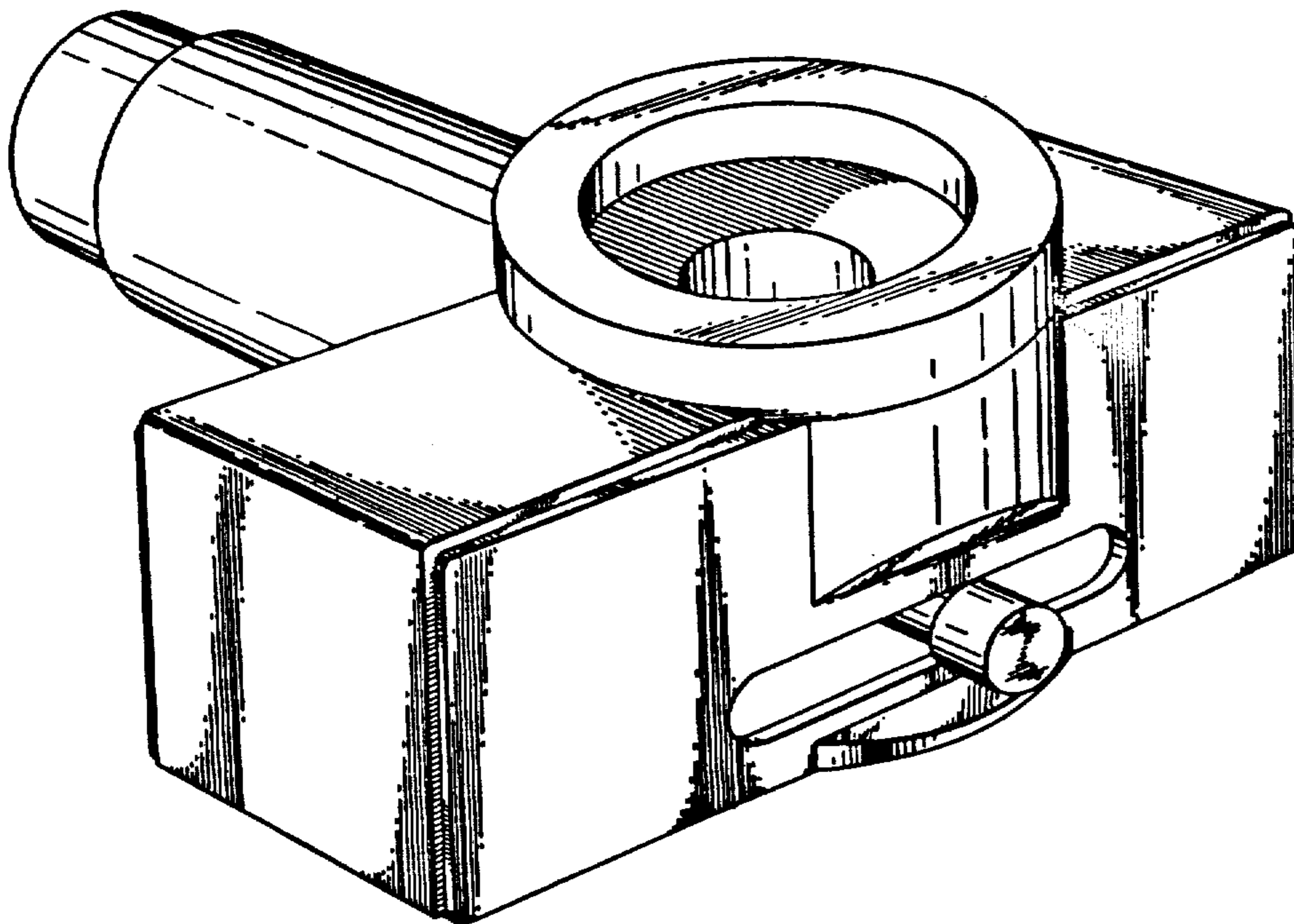
Primary Examiner—Bernard Ansher
Attorney, Agent, or Firm—William C. Nealon

[57] CLAIM

The ornamental design for a microscope vertical fluorescent illuminator, as shown and described.

DESCRIPTION

FIG. 1 is a front perspective view of a microscope vertical fluorescent illuminator taken from above the horizontal plane;
FIG. 2 is a rear perspective view of a microscope vertical fluorescent illuminator taken from below the horizontal plane.



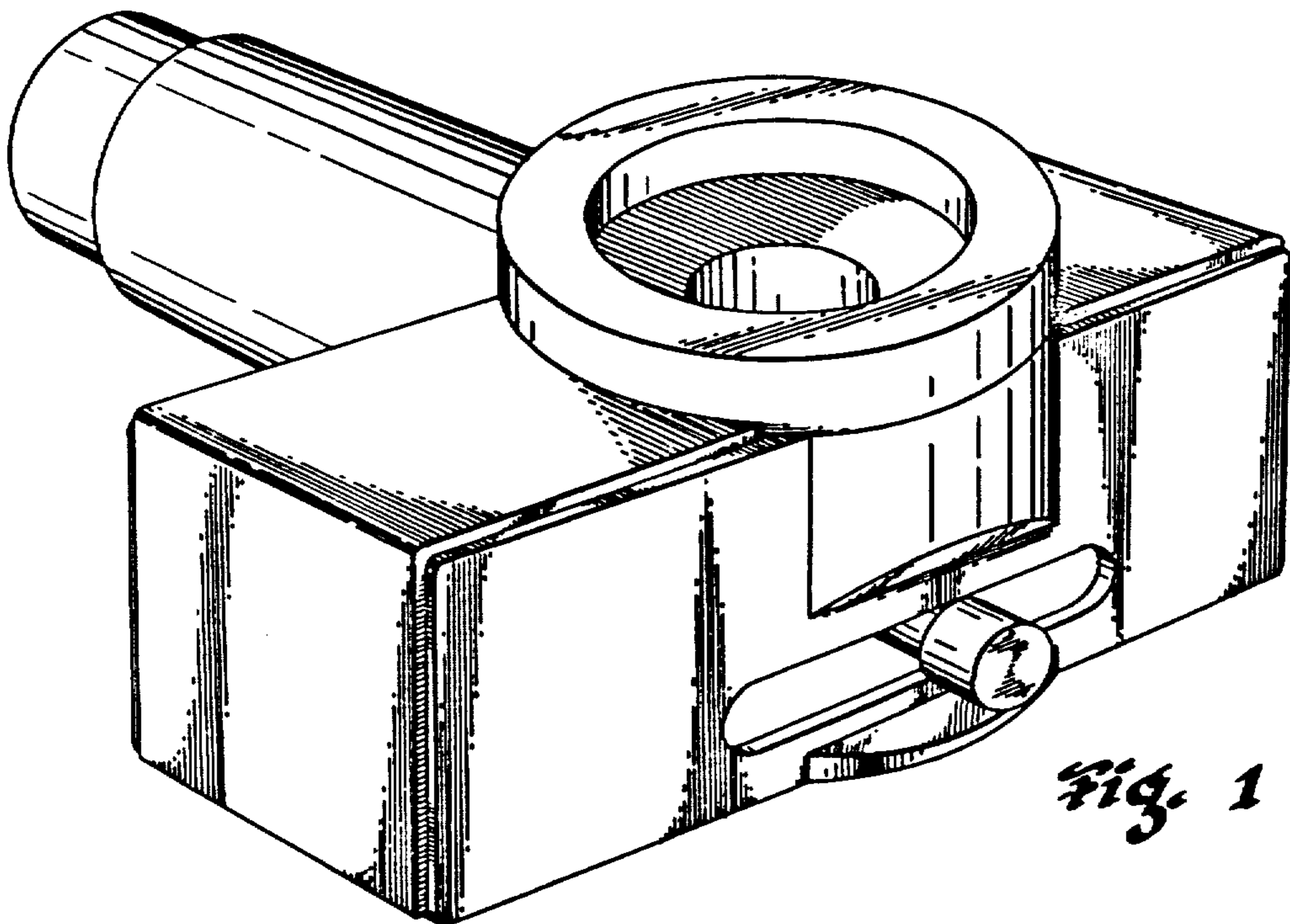


Fig. 1

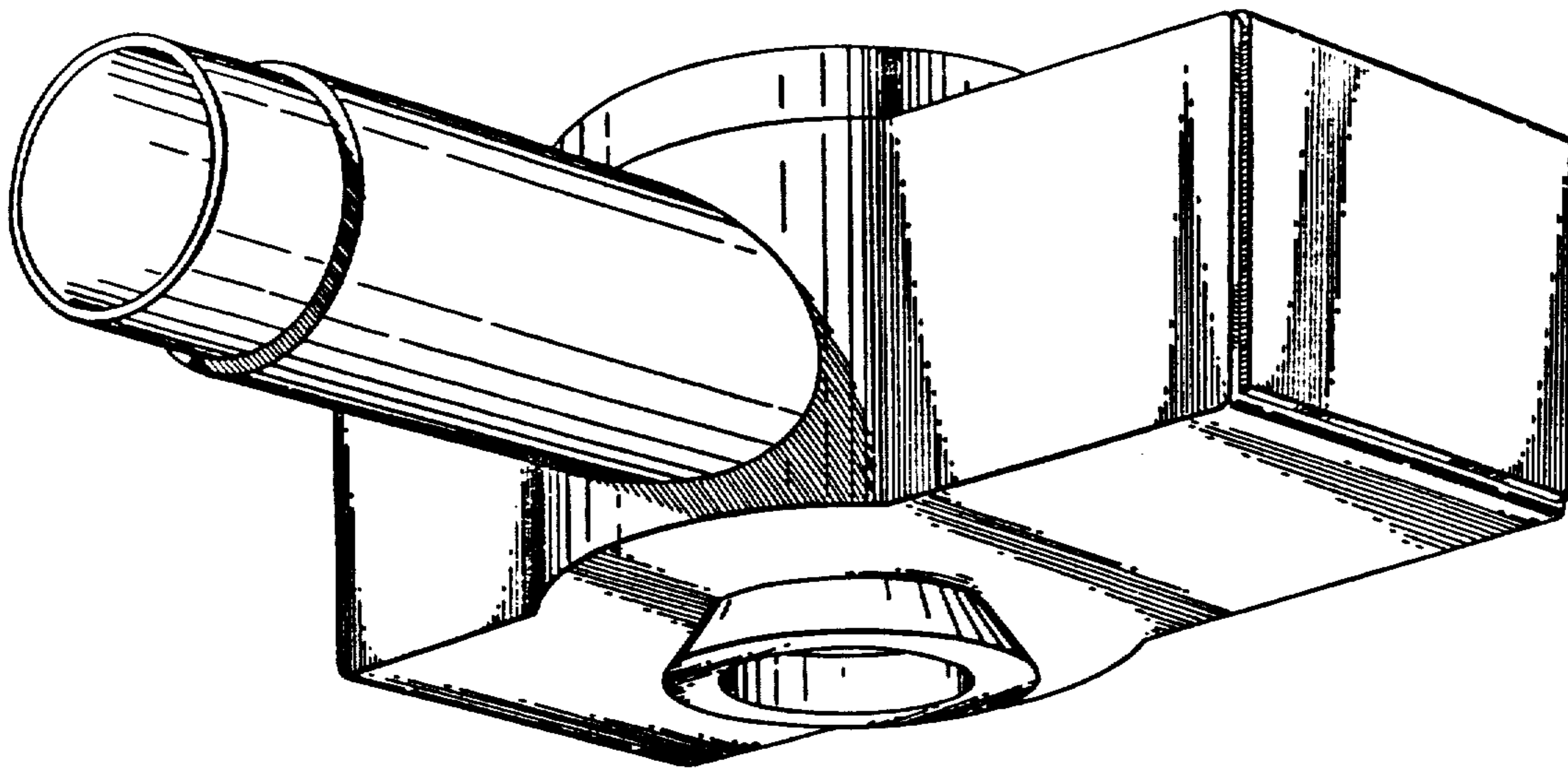


Fig. 2