

[54] **ULTRASONIC INTRUSION ALARM**
[75] Inventors: **Ralph W. Goble**, Eldora; **Kenneth R. Hackett**, Boulder, both of Colo.

[73] Assignee: **Sonitrix, Inc.**, Boulder, Colo.

[**] Term: **14 Years**

[21] Appl. No.: **594,660**

[22] Filed: **July 10, 1975**

[51] Int. Cl. **D10-06**

[52] U.S. Cl. **D10/106**

[58] **Field of Search** D10/106, 116, 121;
D26/5 R, 13 R; 340/227 R, 227.1, 228 R,
228.1, 237 R, 237 S, 258 R, 274 R, 276 R

[56] **References Cited**

U.S. PATENT DOCUMENTS

3,135,950 6/1964 Finkle 340/237 S

3,681,603 8/1972 Scheidweiler et al. 340/237 S
D. 211,427 6/1968 Brubaker D10/106
D. 233,931 12/1974 Goble et al. D10/106

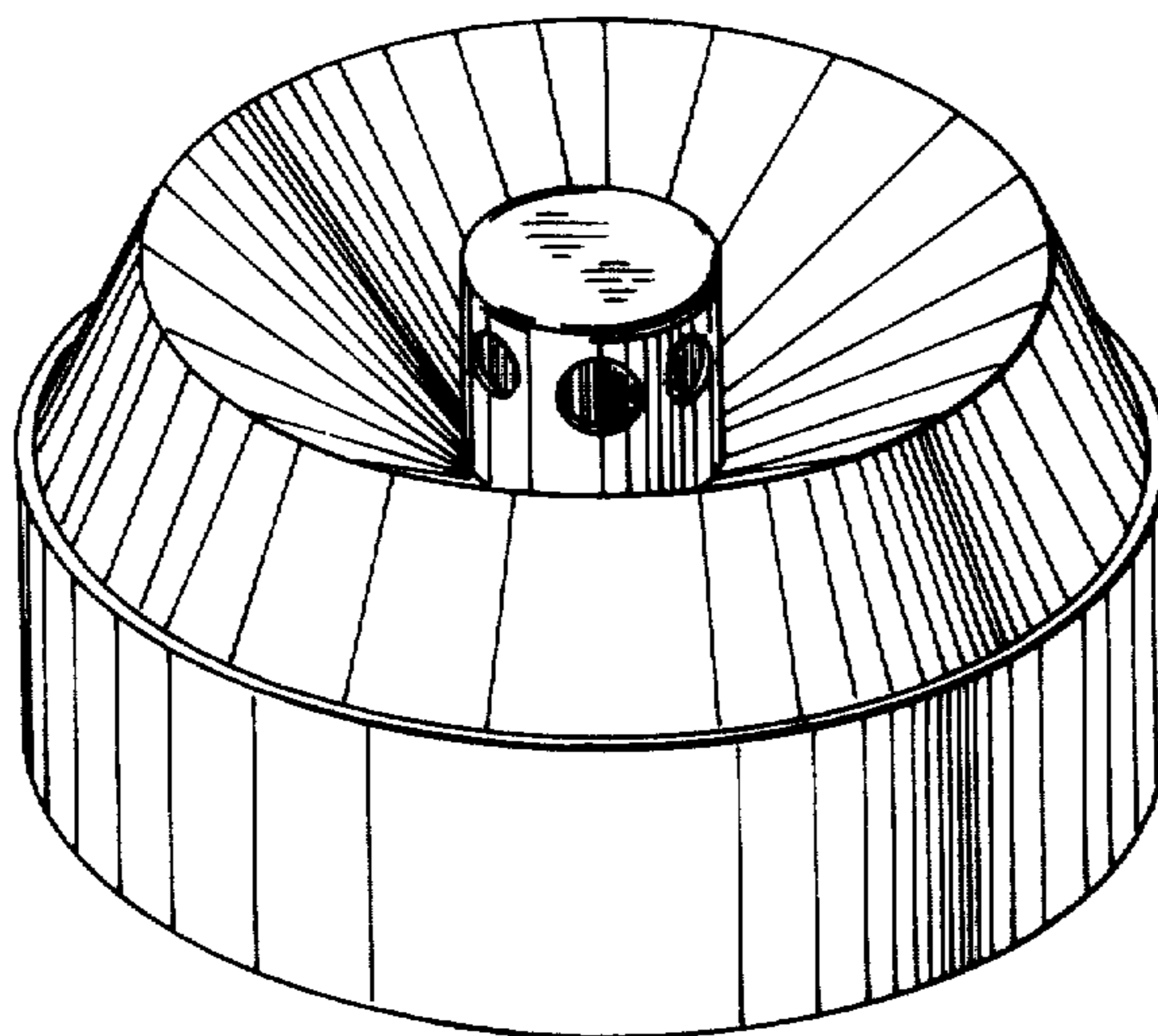
Primary Examiner—Susie J. Mercer
Attorney, Agent, or Firm—Max L. Wymore

[57] **CLAIM**

The ornamental design for the ultrasonic intrusion alarm, as shown and described.

DESCRIPTION

FIG. 1 is a top perspective view of the ultrasonic intrusion alarm showing our new design; FIG. 2 is a top plan view thereof on an enlarged scale; FIG. 3 is a side view thereof on an enlarged scale, and the other side is a mirror image; FIG. 4 is a bottom perspective view thereof on an enlarged scale; and FIG. 5 is a bottom view thereof on an enlarged scale.



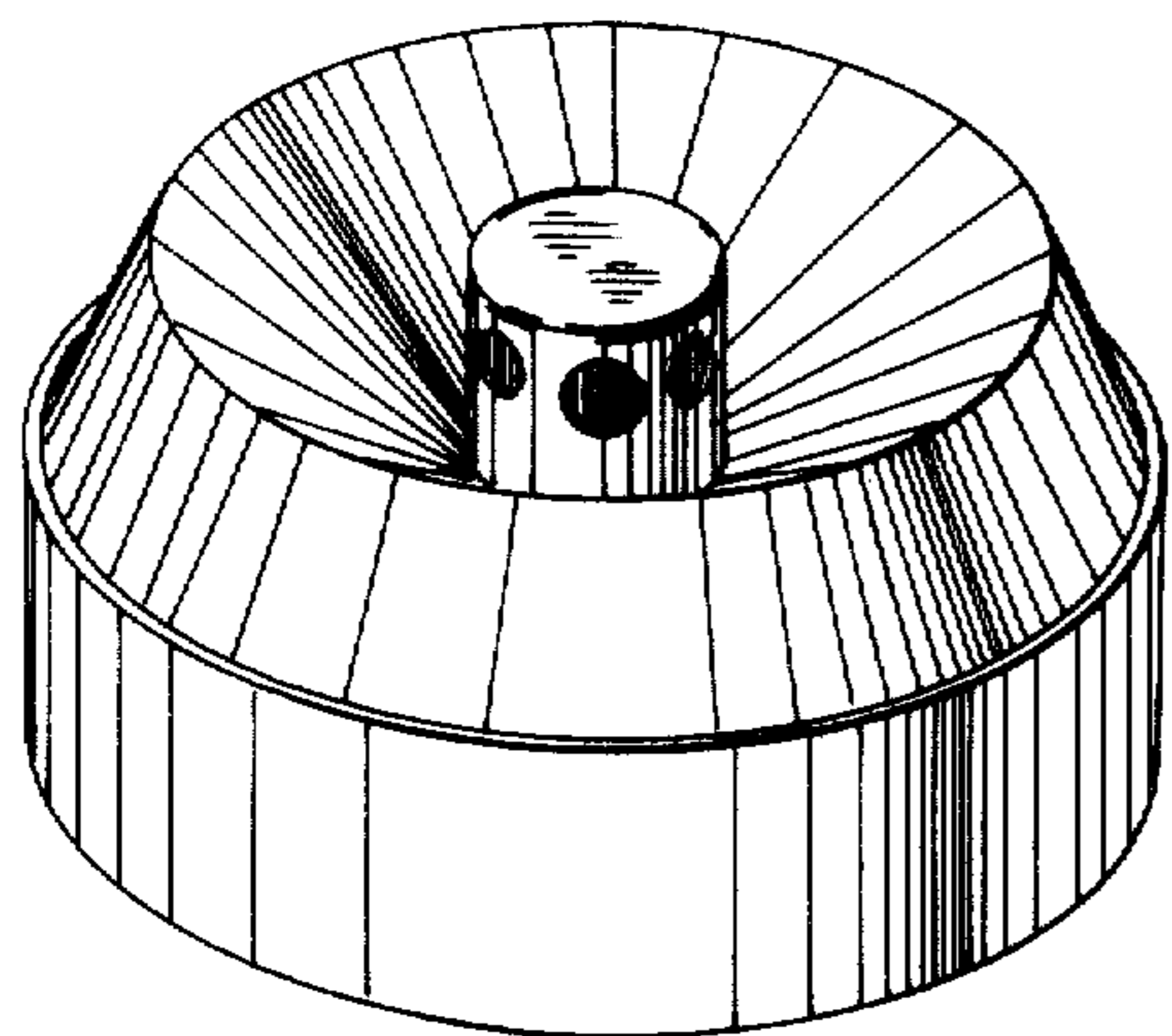


Fig-1

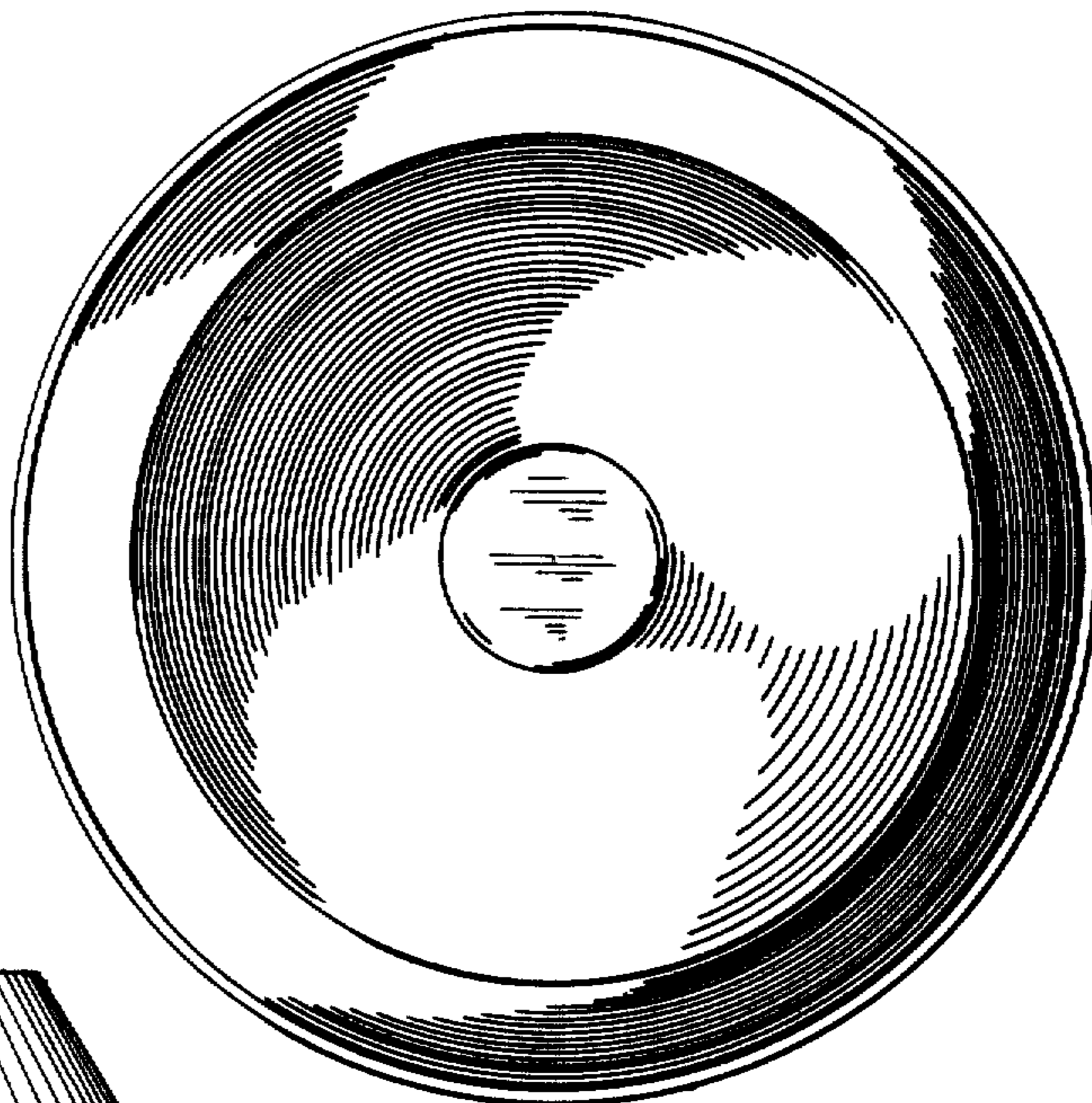


Fig-2

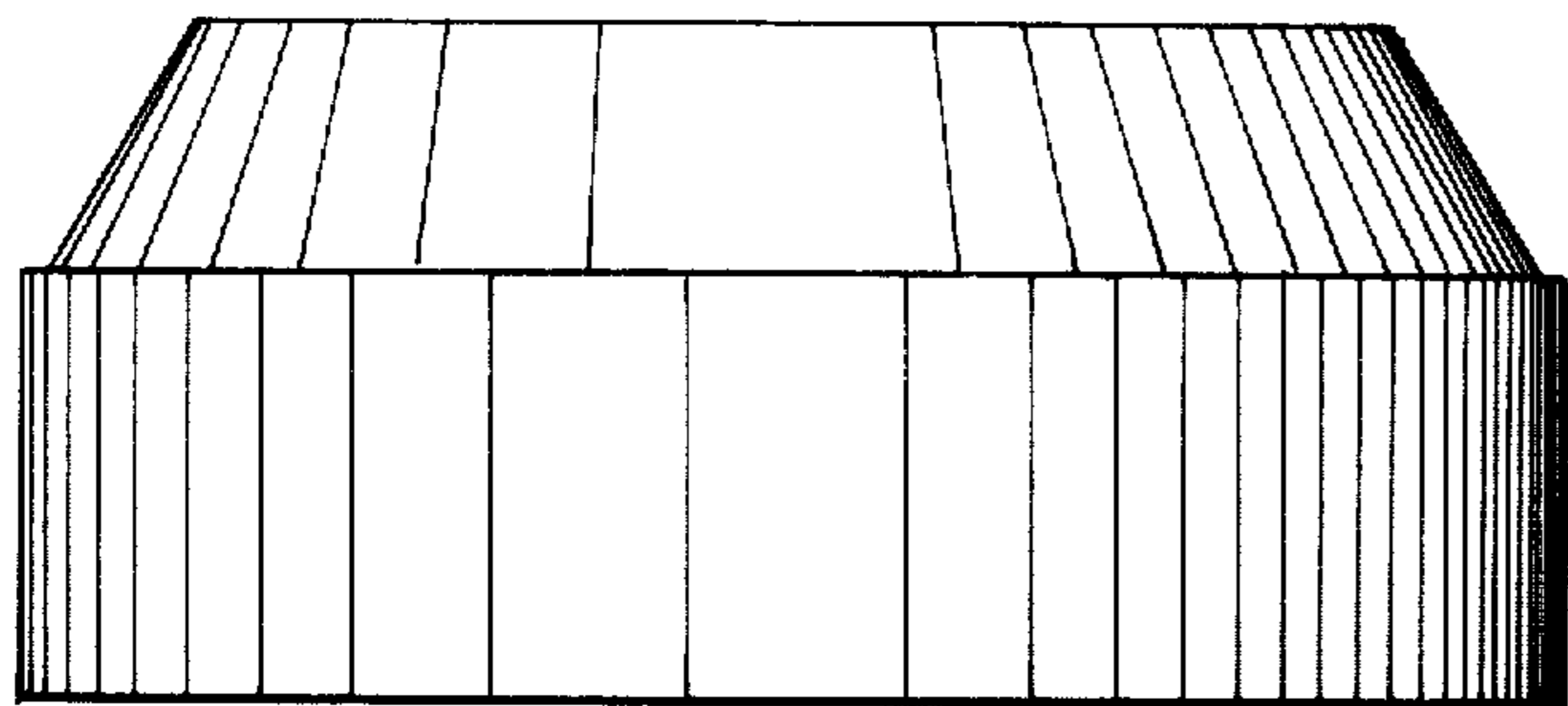


Fig-3

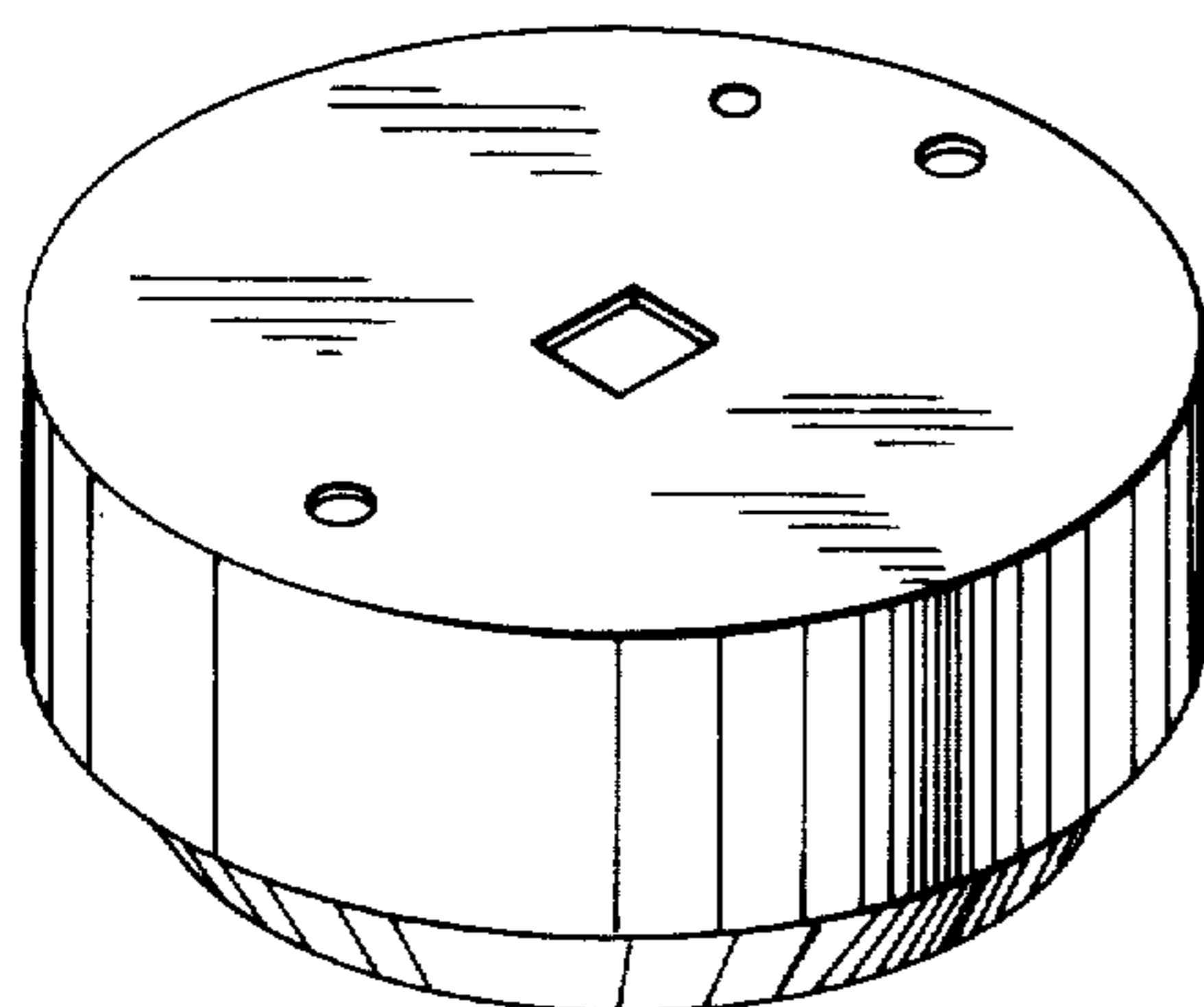


Fig-4

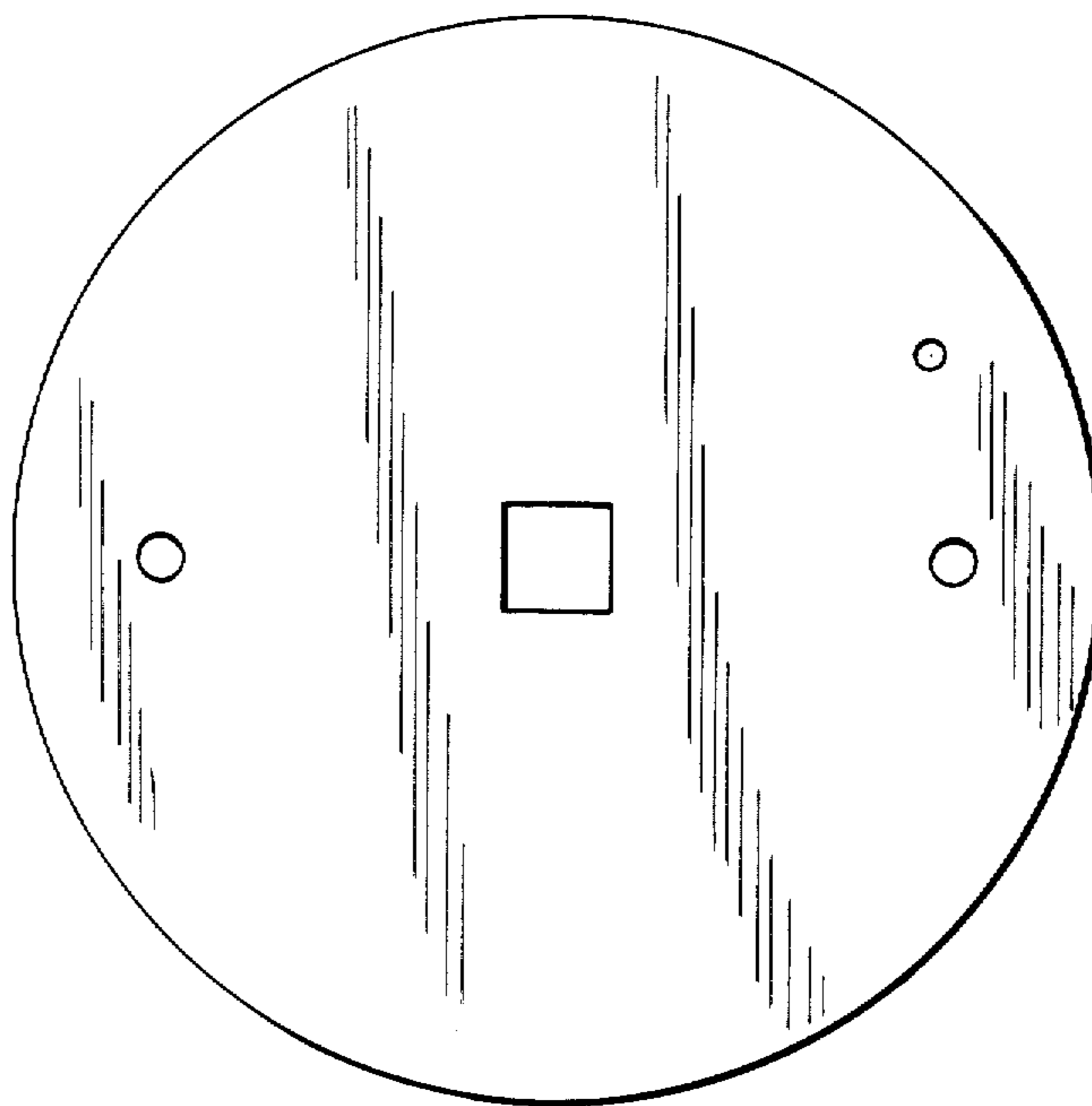


Fig-5