

[54] **WRIST WATCH**

[75] Inventor: **Freddy Huguenin**, Lausanne, Switzerland

[73] Assignee: **Ebauches S.A.**, Neuchatel, Switzerland

[\*\*] Term: **14 Years**

[21] Appl. No.: **564,711**

[22] Filed: **Apr. 3, 1975**

[51] Int. Cl. .... **D10-02**

[52] U.S. Cl. .... **D10/38**

[58] Field of Search ..... **D10/15, 30-39; 58/50 R, 50 A, 53-56**

3,822,547 7/1974 Fujita ..... 10/38 X  
 D. 108,738 3/1938 Merz ..... D10/38

**OTHER PUBLICATIONS**

*European Jeweler*, July 1974, p. 59, Watches at lower--left & center.  
*European Jeweler*, Oct. 1972, p. 97, Watches.  
 Primary Examiner—Nelson C. Holtje  
 Attorney, Agent, or Firm—I. Irving Silverman

**CLAIM**

The ornamental design for a wrist watch, substantially as shown and described.

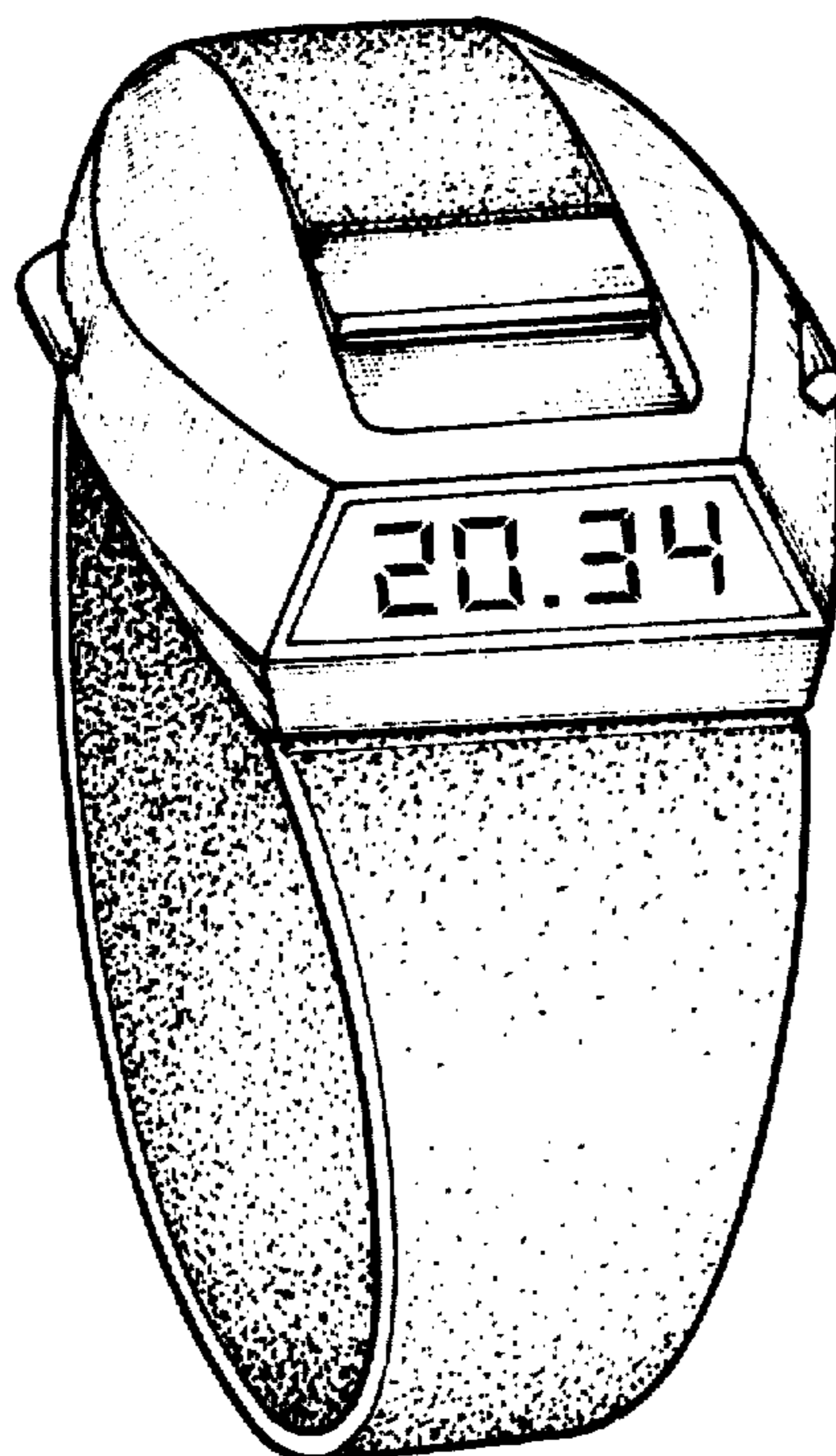
**DESCRIPTION**

FIG. 1 is a top and front end perspective view of a wrist watch showing my new design;  
 FIG. 2 is a top plan view thereof;  
 FIG. 3 is a right side elevational view thereof;  
 FIG. 4 is a front end elevational view thereof.

[56] **References Cited**

**U.S. PATENT DOCUMENTS**

3,566,602 3/1971 Bergey ..... 10/38 UX  
 3,768,247 10/1973 Fujita ..... 10/38 UX



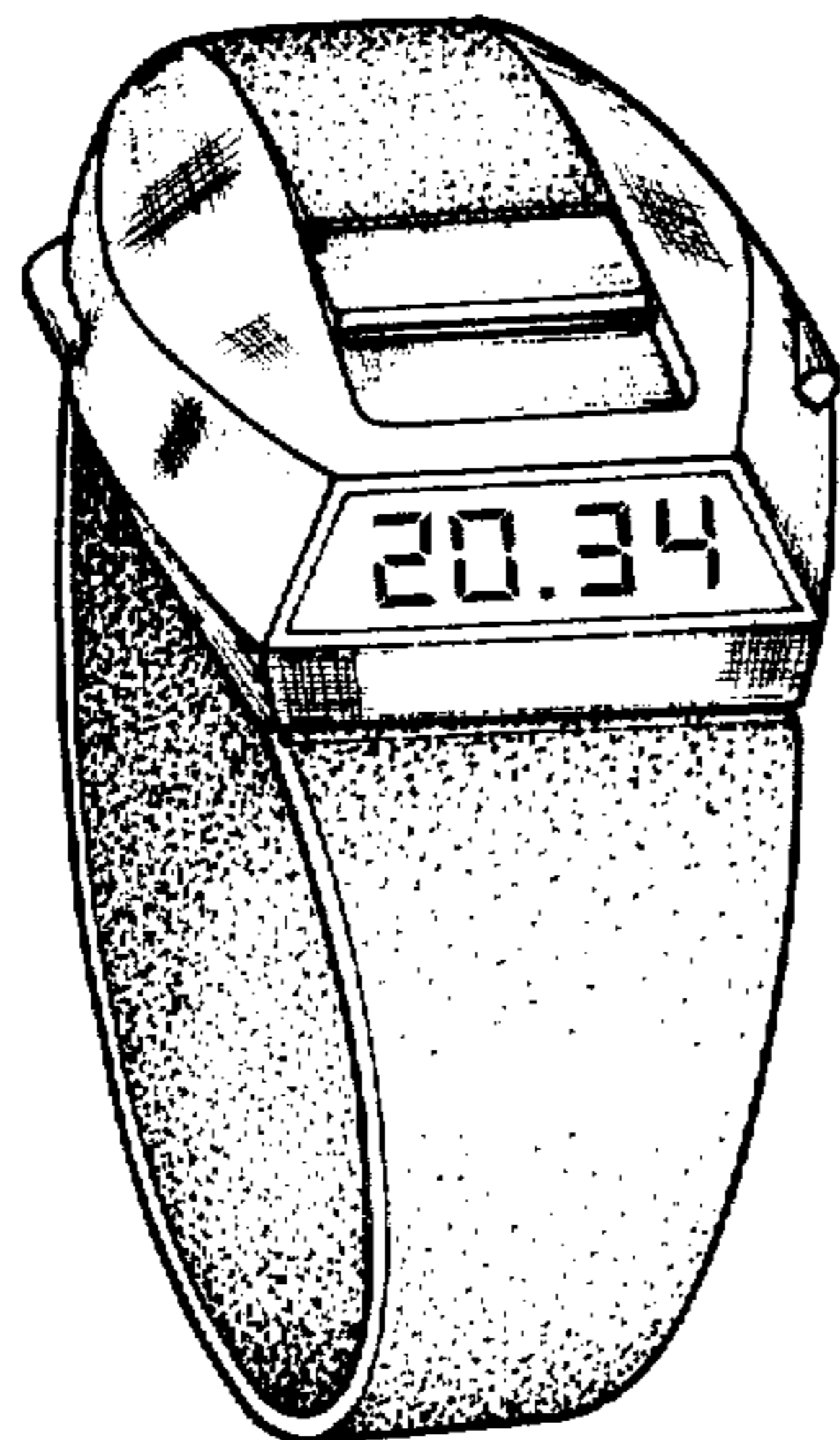


FIG. 1

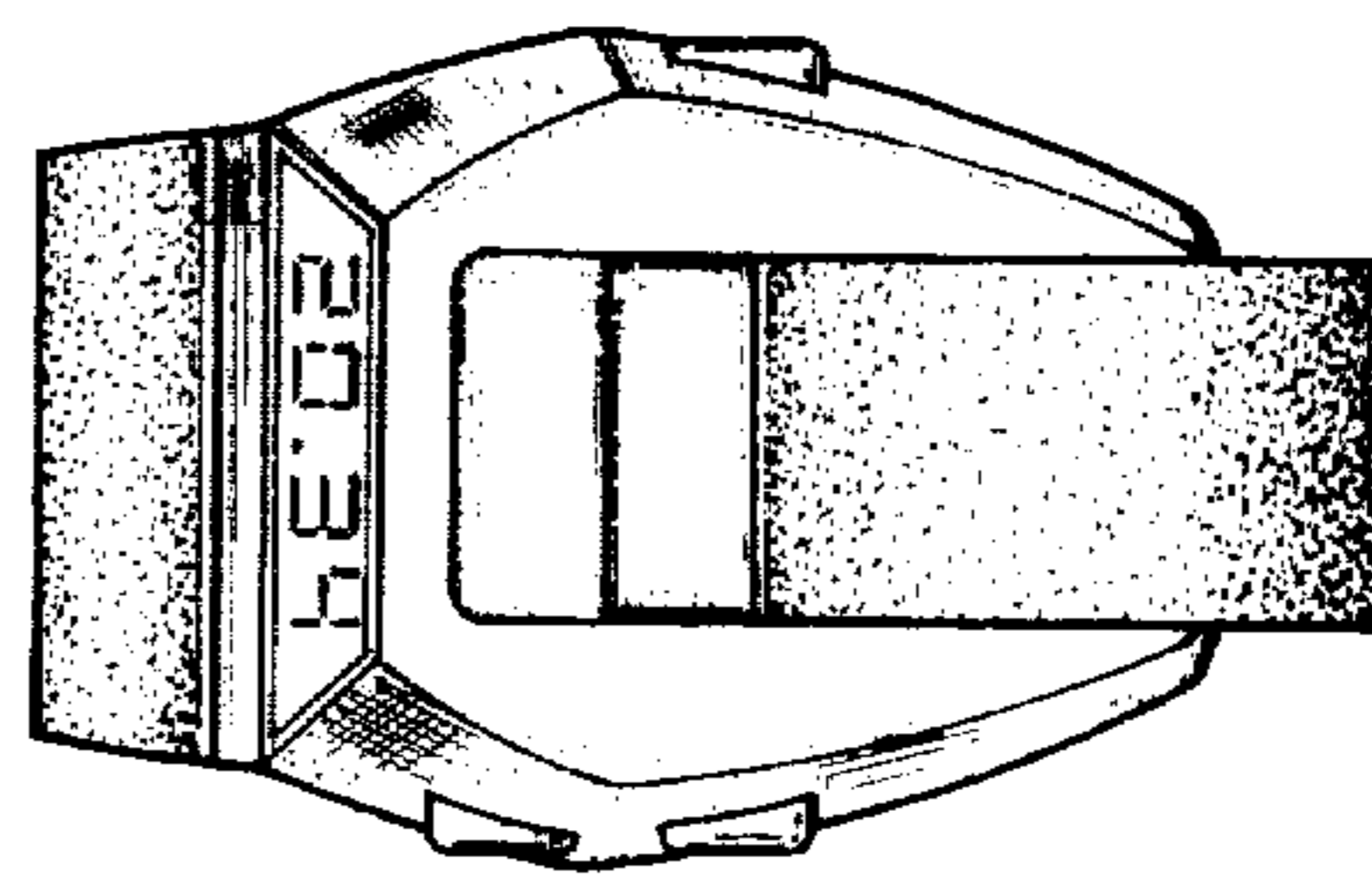


FIG. 2

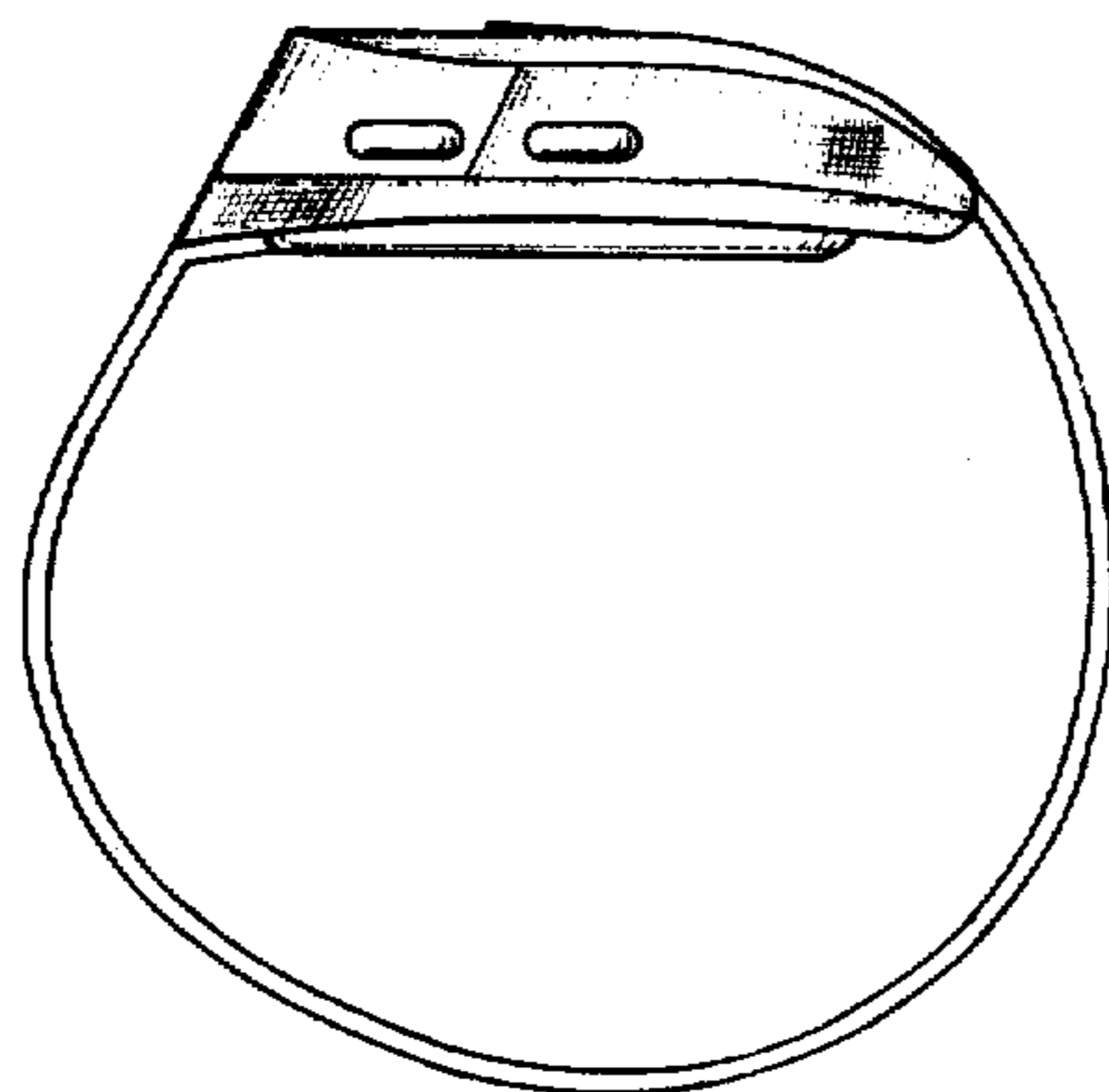


FIG. 3

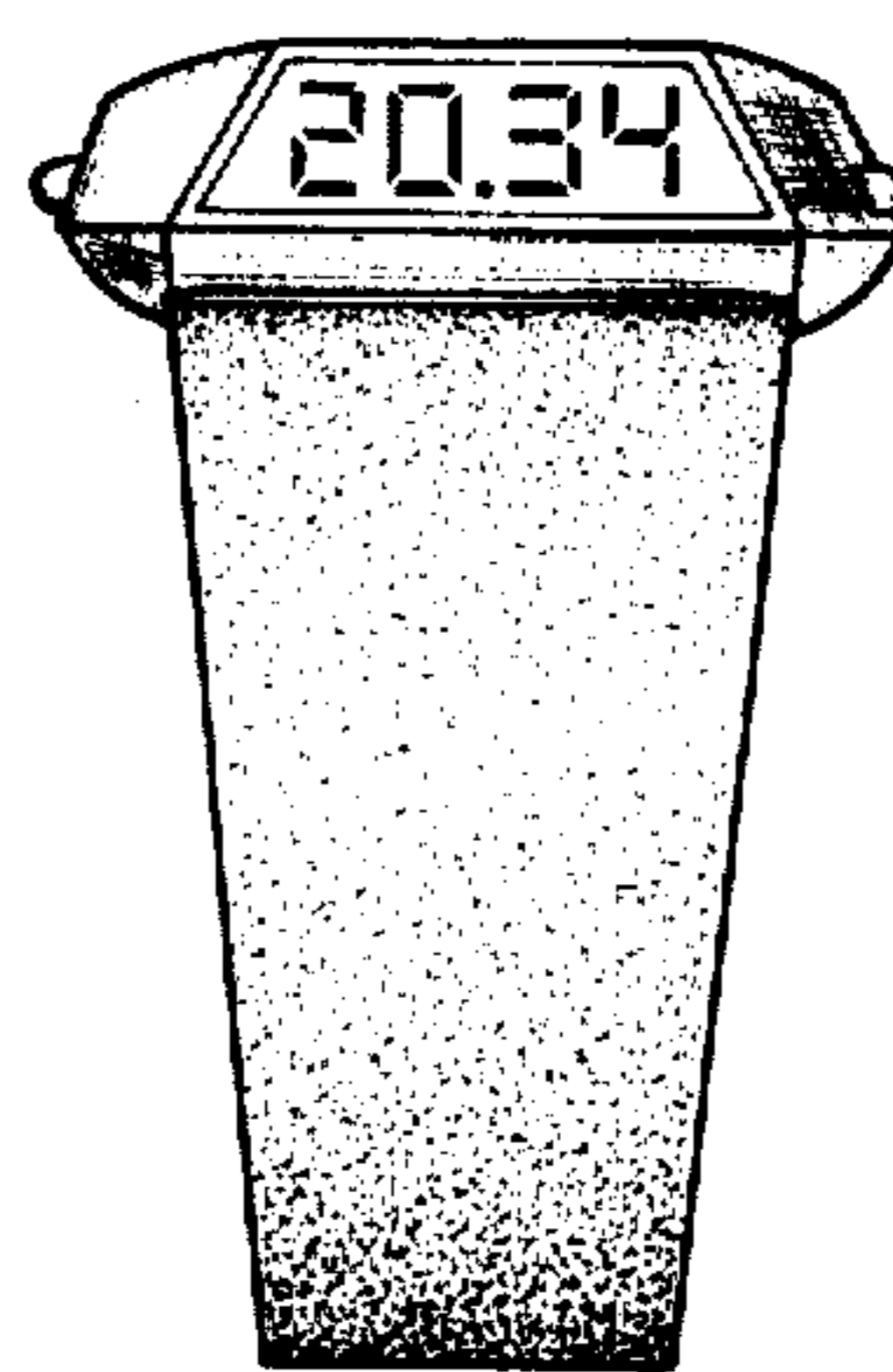


FIG. 4

UNITED STATES PATENT AND TRADEMARK OFFICE  
**CERTIFICATE OF CORRECTION**

PATENT NO. : DES. No. 242,774  
DATED : December 21, 1976  
INVENTOR(S) : FREDDY HUGUENIN

It is certified that error appears in the above-identified patent and that said Letters Patent are hereby corrected as shown below:

On the cover page, before the classification data, read the following:

[30] FOREIGN APPLICATION PRIORITY DATA

October 18, 1974                      Switzerland                      International  
Deposit No. 59,654

**Signed and Sealed this**  
**Nineteenth Day of April 1977**

[SEAL]

*Attest:*

**RUTH C. MASON**  
*Attesting Officer*

**C. MARSHALL DANN**  
*Commissioner of Patents and Trademarks*