

[54] BRACKET FOR MOUNTING A RADIO OR THE LIKE IN A VEHICLE

[76] Inventor: Roy M. Neece, 3248 Cheryl Lane, Haltom City, Tex. 76117

[**] Term: 14 Years

[21] Appl. No.: 659,644

[22] Filed: Feb. 20, 1976

[51] Int. Cl. D8-08; D12-16

[52] U.S. Cl. D8/233

[58] Field of Search D12/155, 157; D8/233; 224/29 R, 42.11, 42.4, 42.42 R, 42.45 R; 312/7 R; 108/44, 47, 48; 248/14, 13; 296/1 R

[56] References Cited

U.S. PATENT DOCUMENTS

2,899,162	8/1959	Young	224/29 R
3,658,219	4/1972	Van Ordt	224/42.42 R
D. 213,447	3/1969	Small	D12/155
D. 233,428	10/1974	Hestand	D12/155

OTHER PUBLICATIONS

J. C. Whitney Catalog No. 324, Rec'd 6/11/74, p. 10, Mini Floor Mount B, bottom center of page.

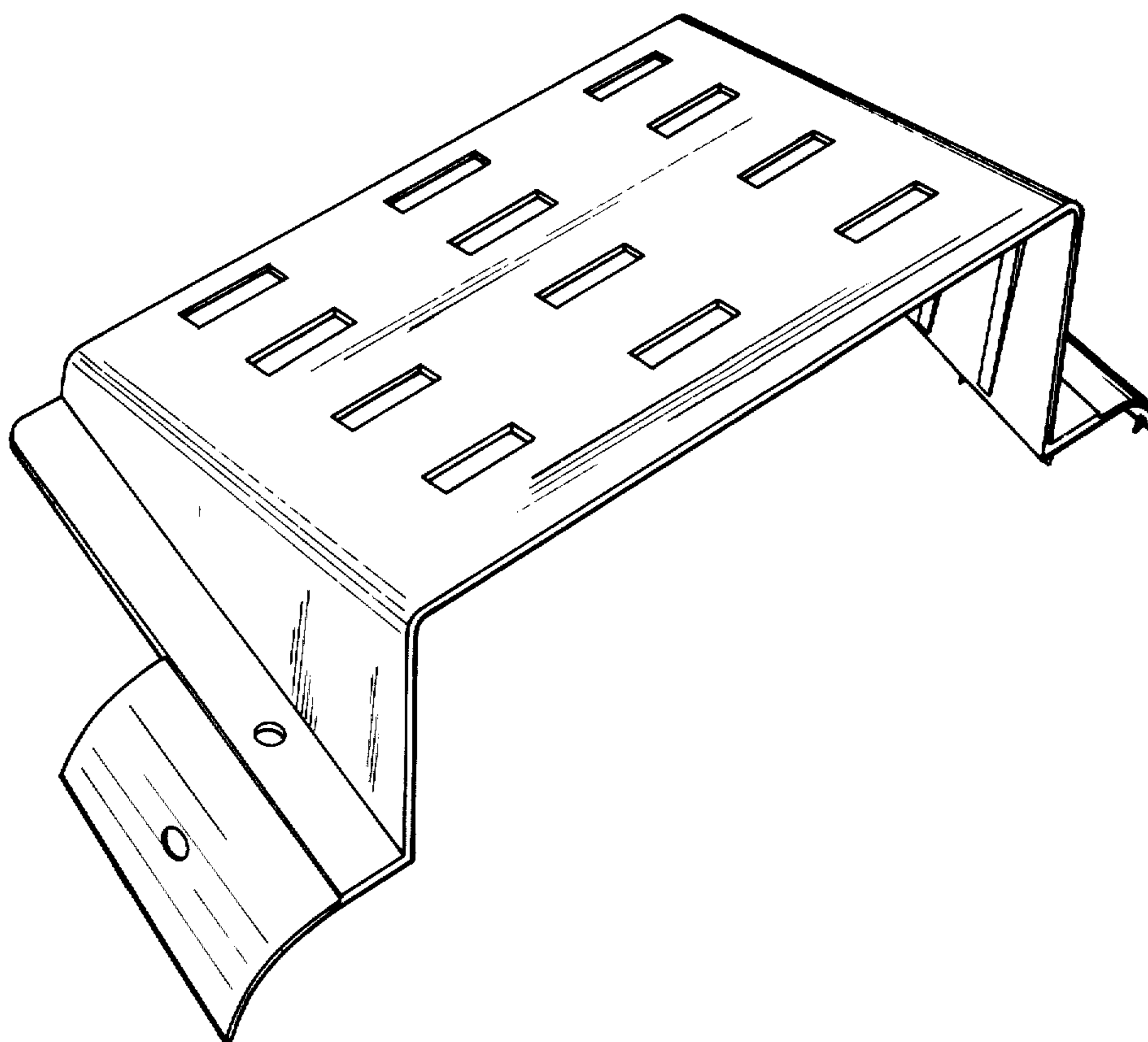
Primary Examiner—Wallace R. Burke
Assistant Examiner—James M. Gandy
Attorney, Agent, or Firm—Charles W. McHugh

[57] CLAIM

The ornamental design for a bracket for mounting a radio or the like in a vehicle, as shown.

DESCRIPTION

FIG. 1 is a perspective view of the bracket for mounting a radio or the like in a vehicle showing my new design; FIG. 2 is a top plan view thereof; FIG. 3 is a front elevational view thereof; FIG. 4 is a right side elevational view thereof; FIG. 5 is a left side elevational view thereof; FIG. 6 is a rear elevational view thereof; and FIG. 7 is a bottom plan view thereof.



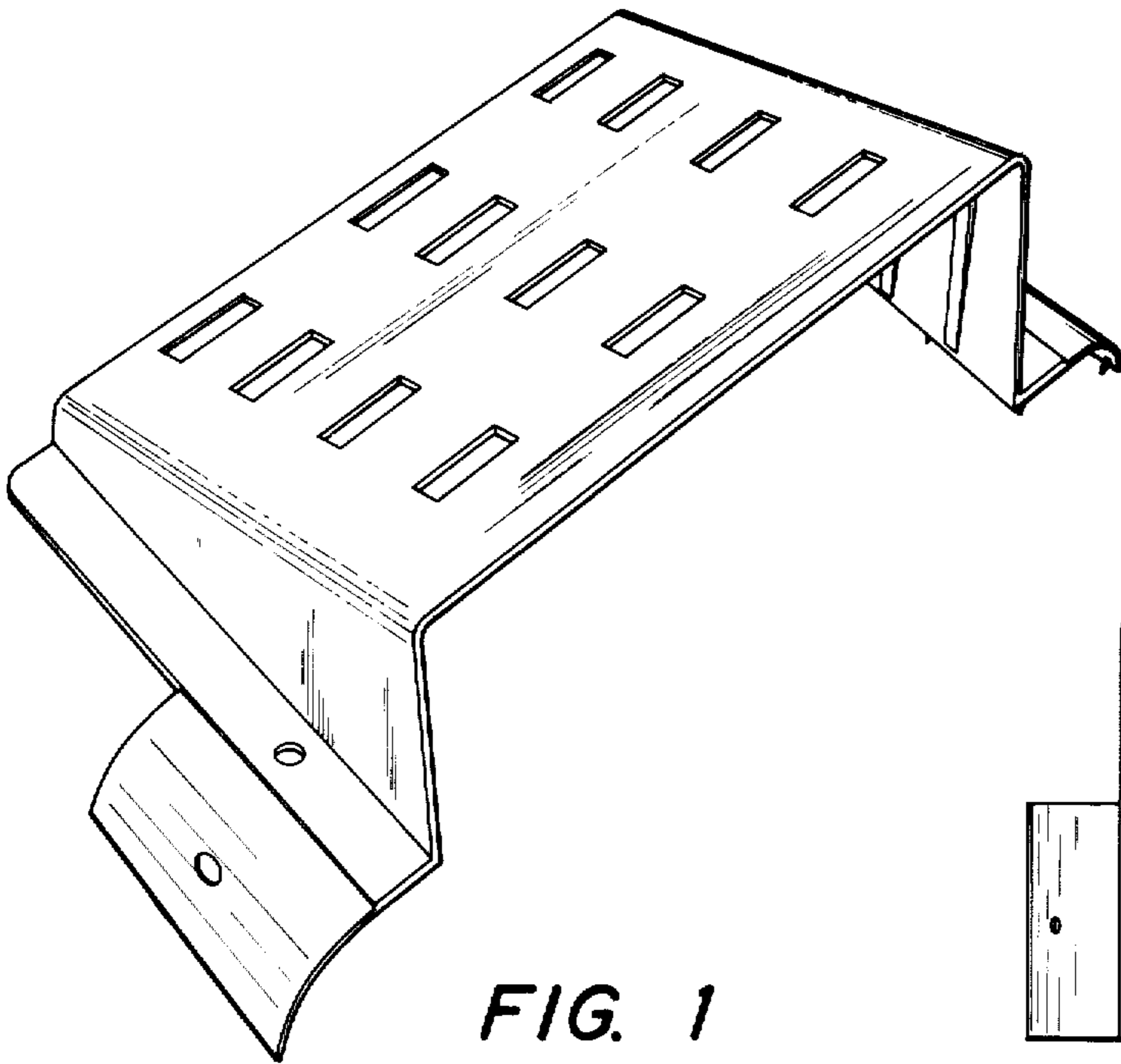


FIG. 1

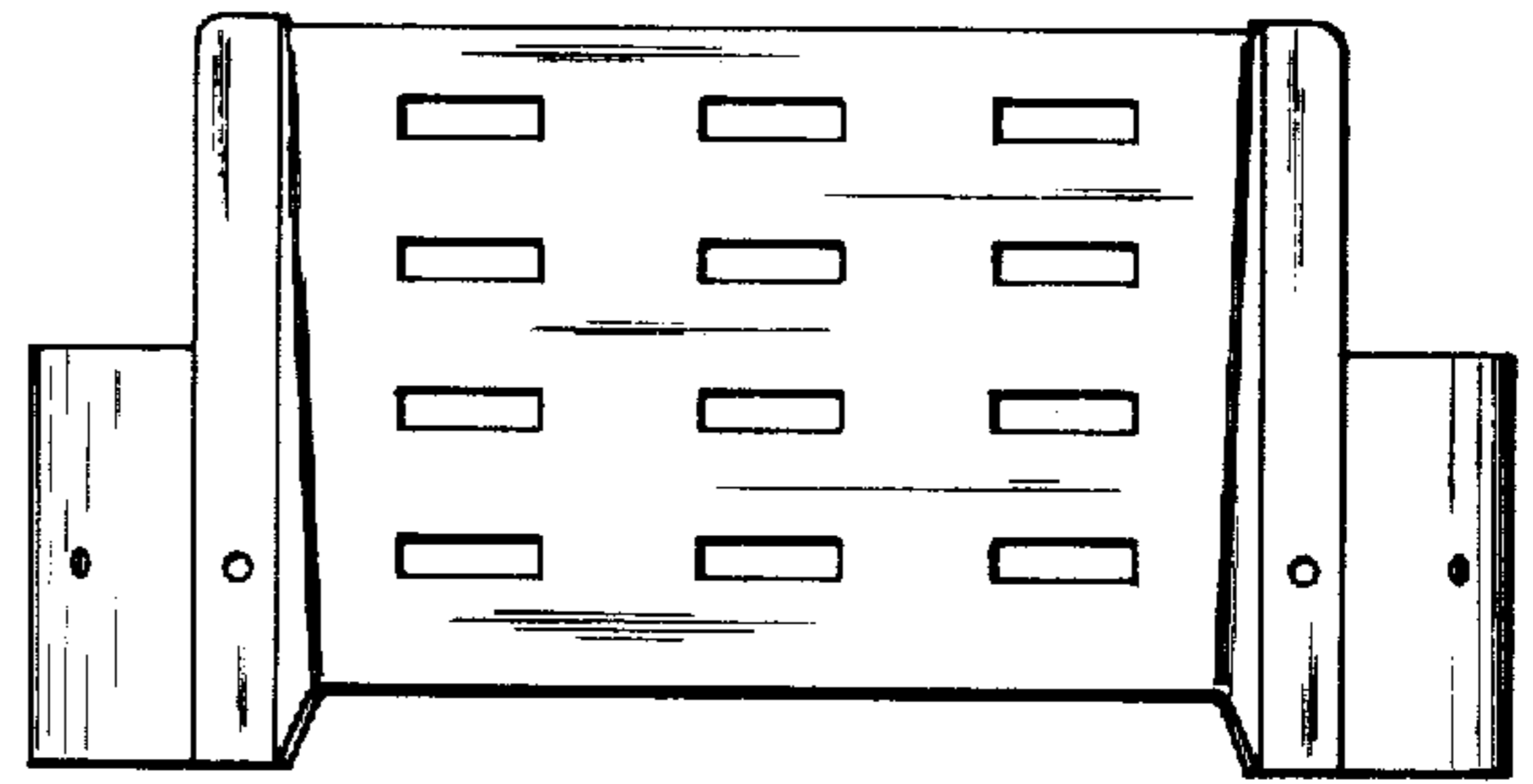


FIG. 2

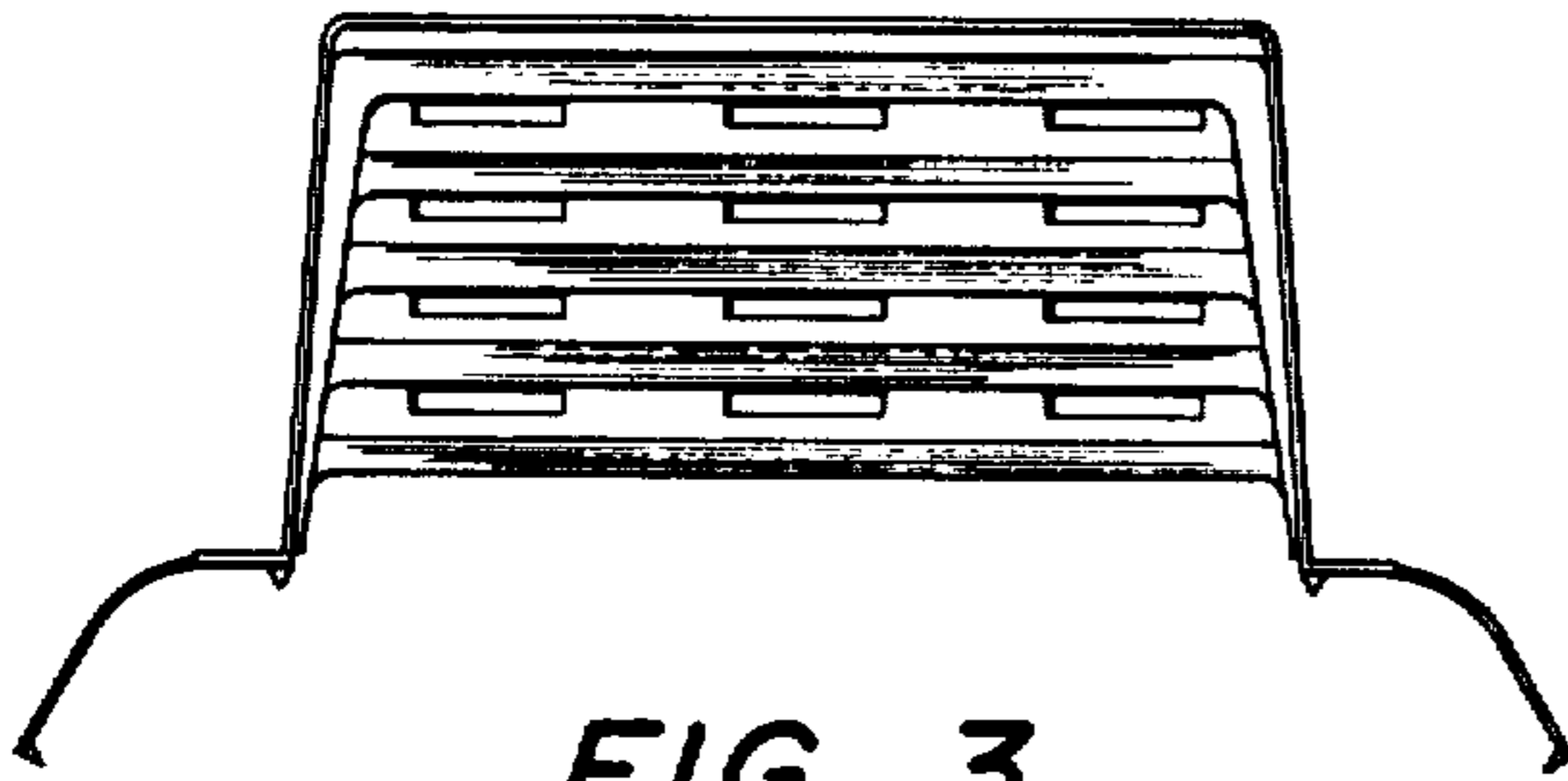


FIG. 3

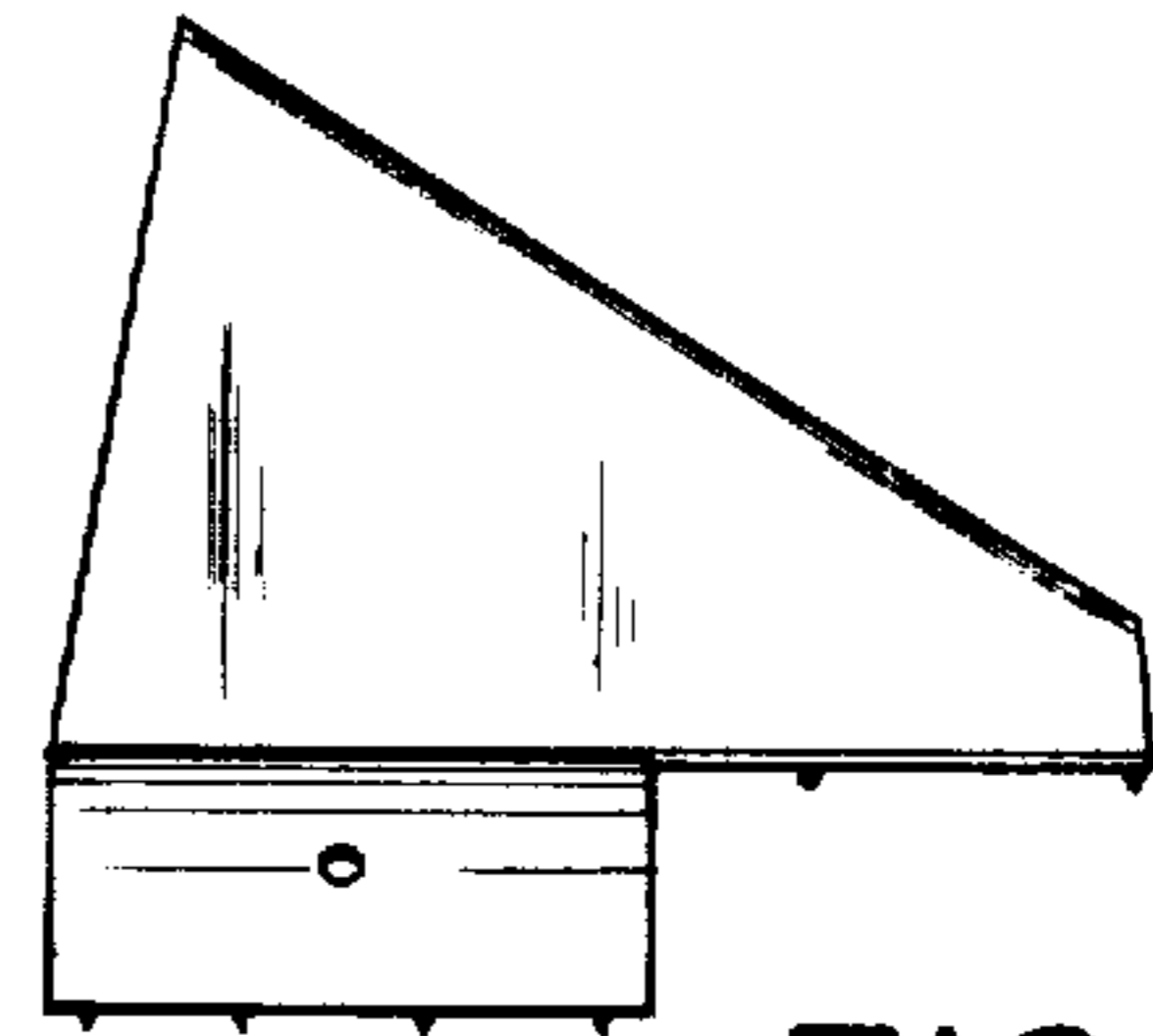


FIG. 4

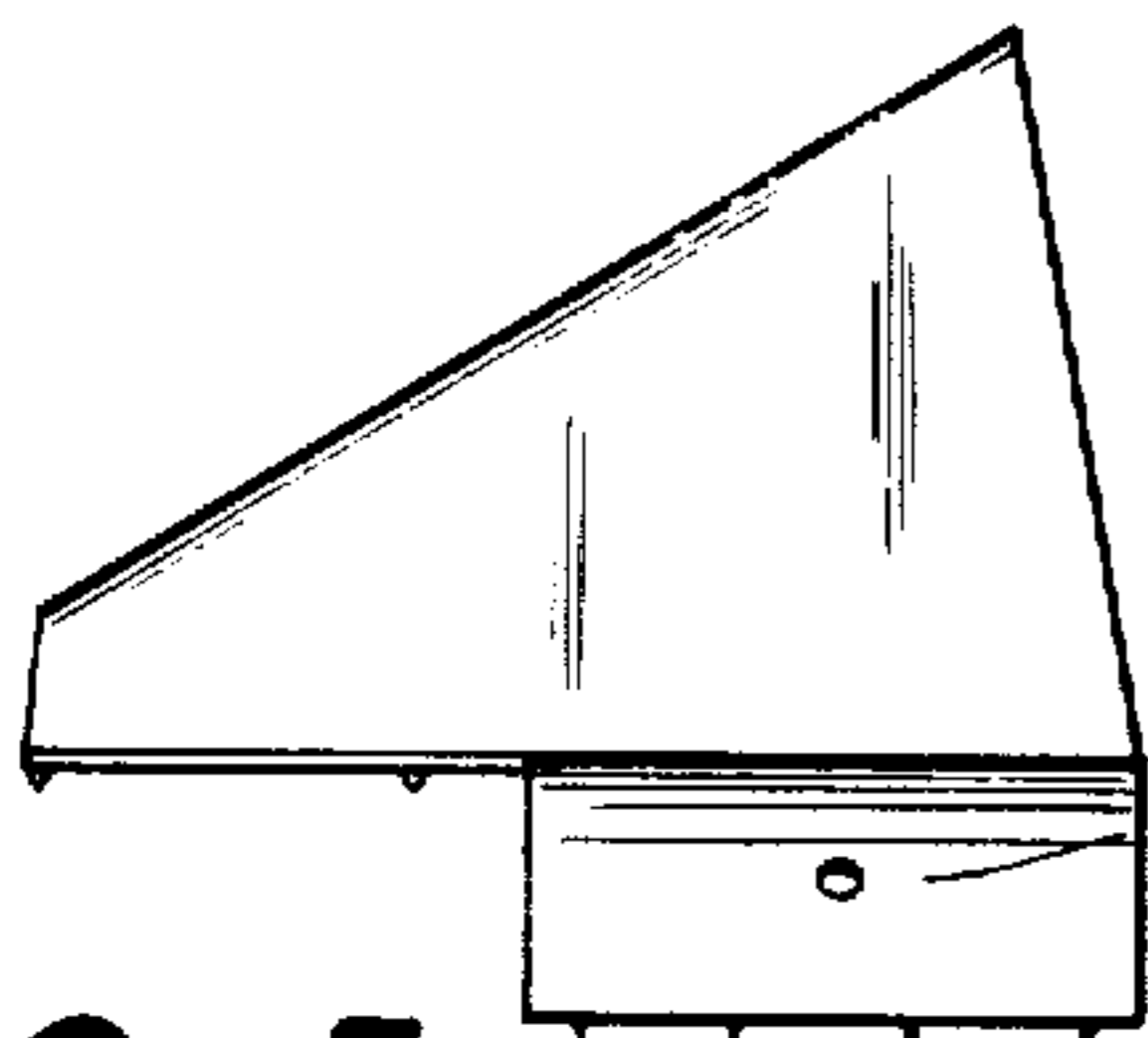


FIG. 5

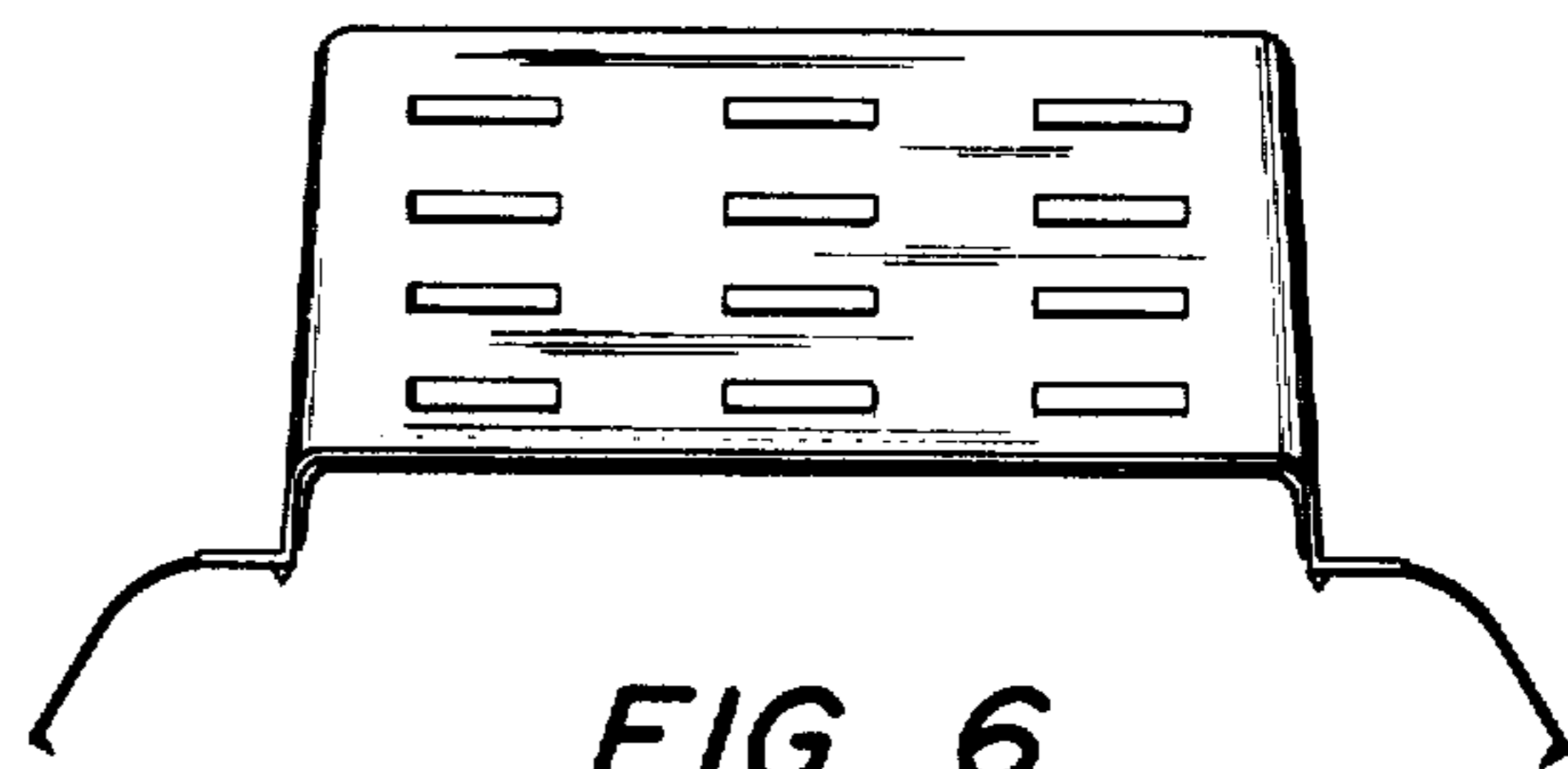


FIG. 6

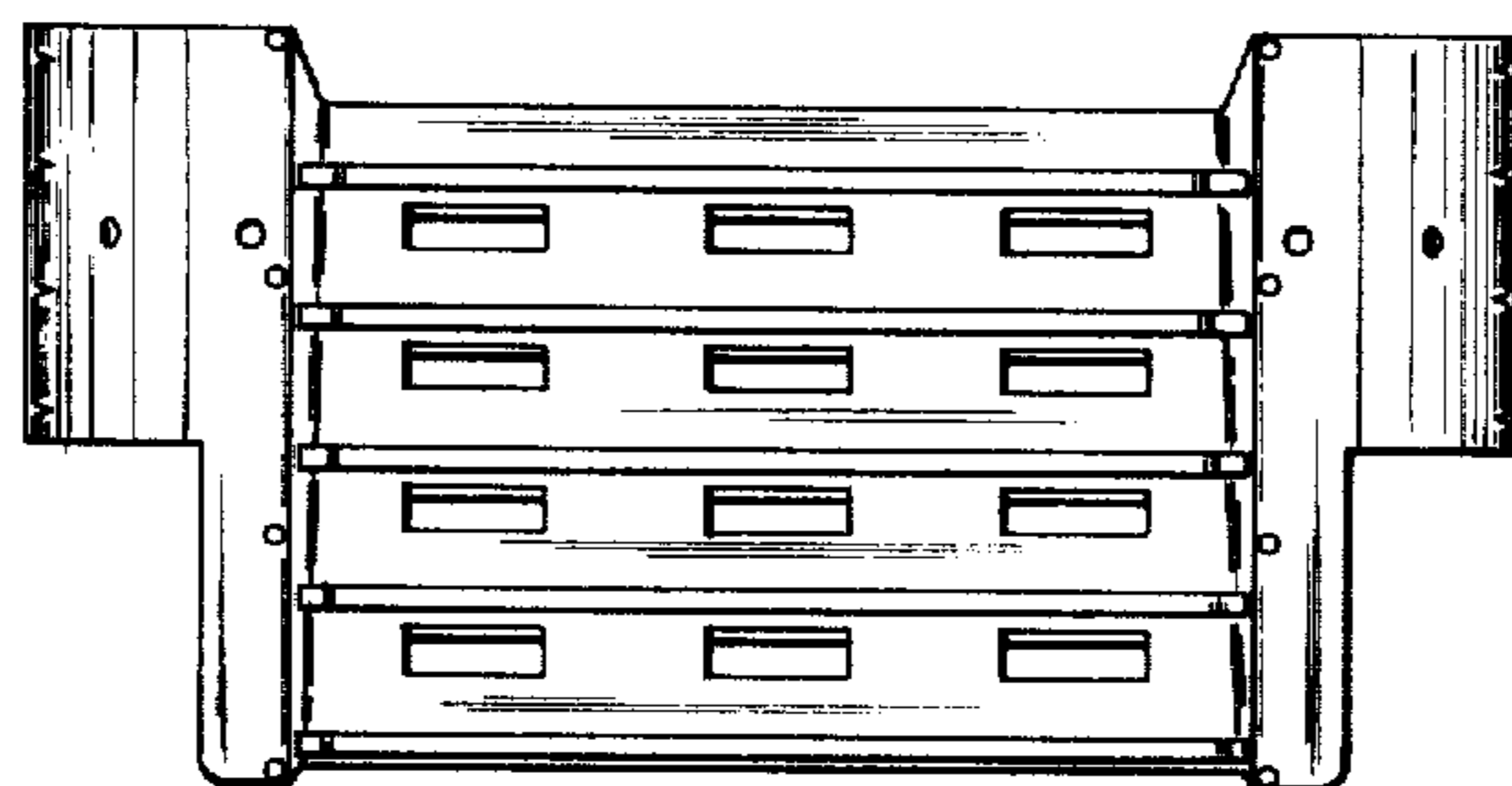


FIG. 7