

[54] **SPACER FOR TOWER TRANSMISSION LINES**

[75] Inventor: **Frank D. Patrick**, Freeport, Tex.

[73] Assignee: **The Dow Chemical Company**, Midland, Mich.

[**] Term: **14 Years**

[21] Appl. No.: **653,057**

[22] Filed: **Jan. 28, 1976**

[51] Int. Cl. **D8-08**

[52] U.S. Cl. **D8/230**

[58] Field of Search 174/42; D8/230

[56] **References Cited**

U.S. PATENT DOCUMENTS

3,032,605	5/1962	Gerlach et al.	174/128
3,474,184	10/1969	Crosby et al.	174/42

Primary Examiner—William N. Wertman
Attorney, Agent, or Firm—V. Dean Clausen

[57] **CLAIM**

The ornamental design for a spacer for power transmission lines, as shown and described.

DESCRIPTION

FIG. 1 is a perspective view of the spacer for power transmission lines, which illustrates my new design. The view from the opposite side of the spacer, not shown, is identical with the view illustrated in FIG. 1.

FIG. 2 is an end view, illustrating one end of the spacer shown in FIG. 1. The view from the opposite end of the spacer, not shown, is identical with the view illustrated in FIG. 1.

The broken lines in the drawing are for illustrative purposes only.

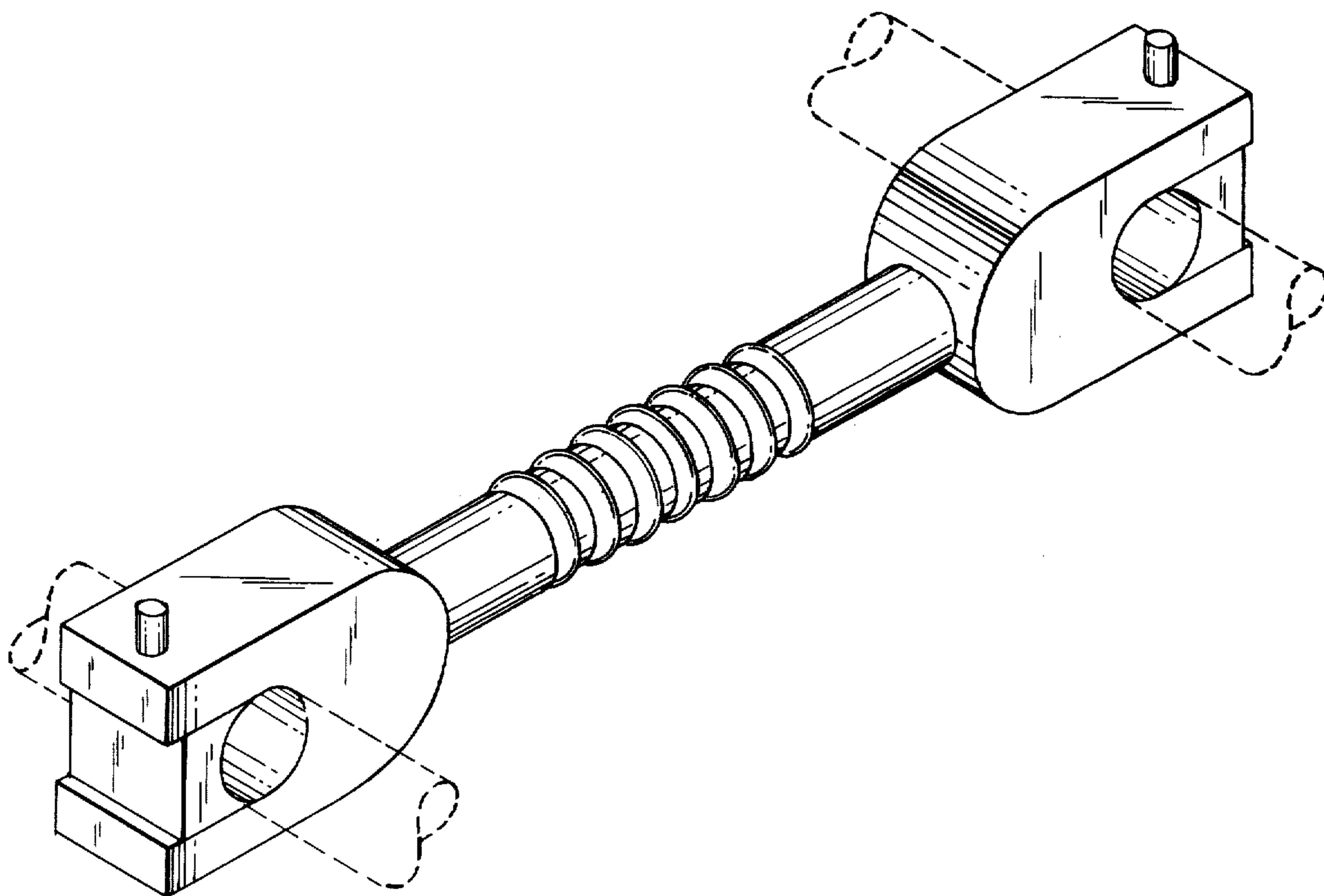


Fig. 1

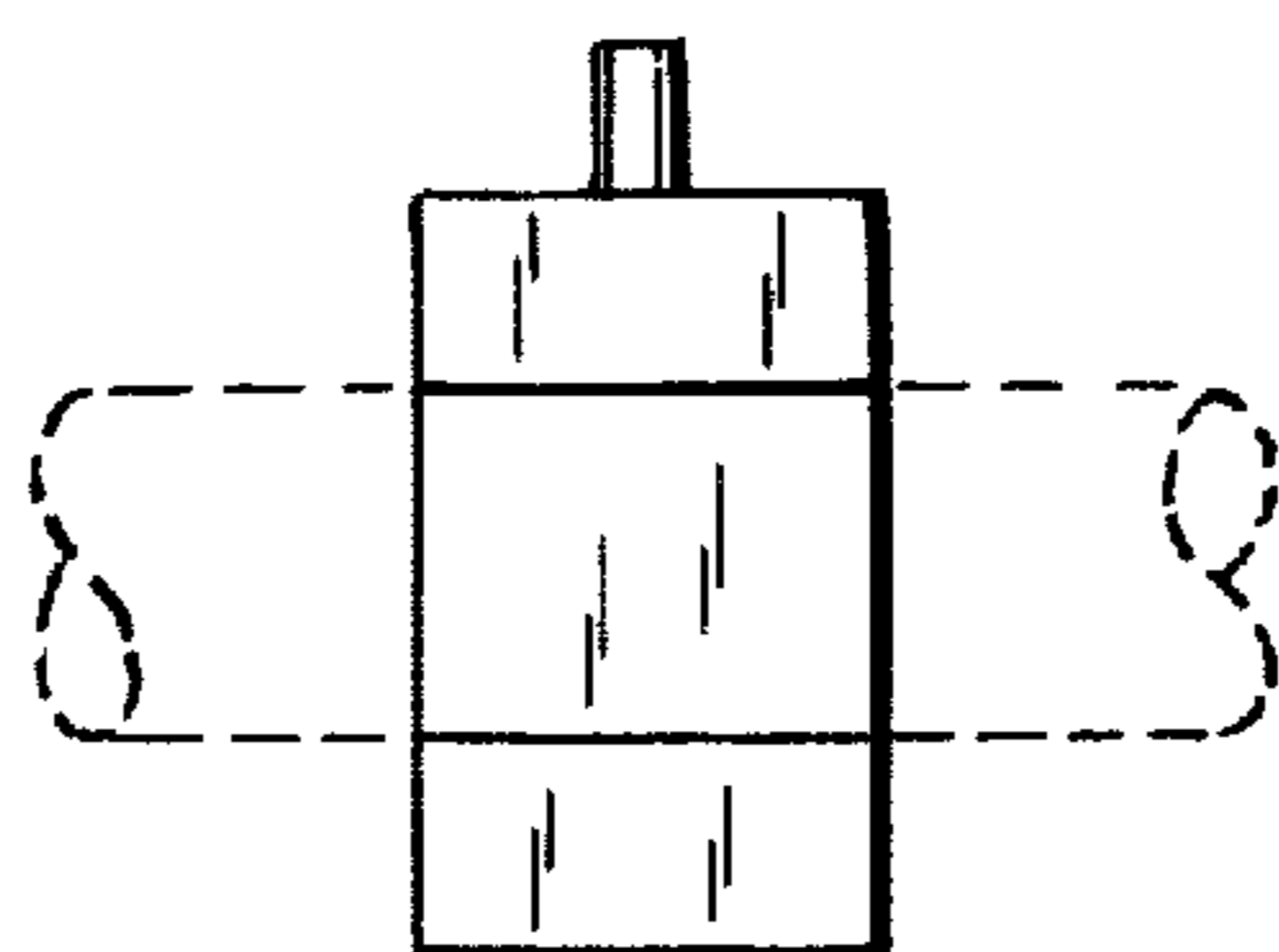
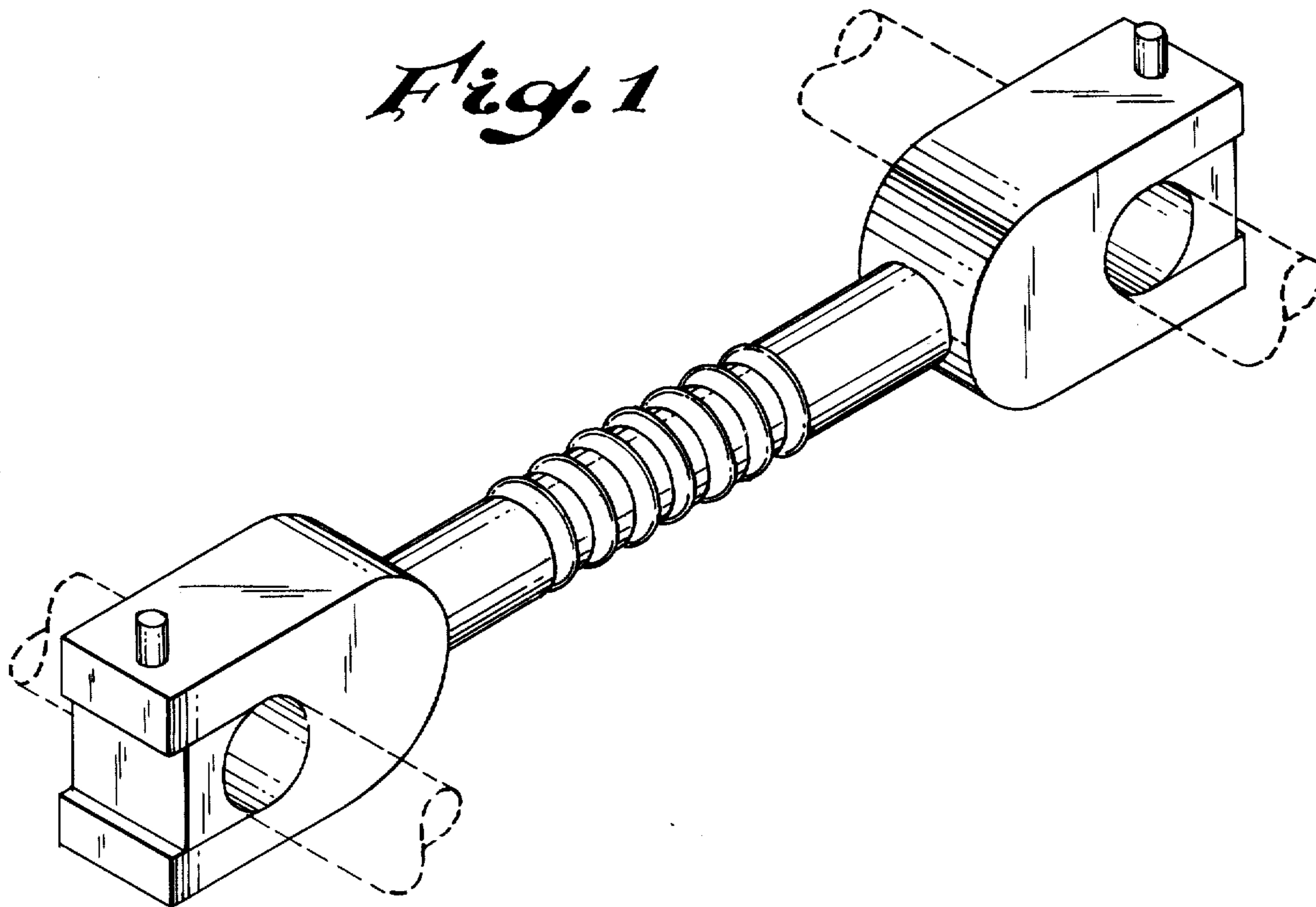


Fig. 2

UNITED STATES PATENT OFFICE
CERTIFICATE OF CORRECTION

PATENT NO. : Des. 242,765
DATED : Dec. 21, 1976
INVENTOR(S) : Frank D. Patrick

It is certified that error appears in the above-identified patent and that said Letters Patent are hereby corrected as shown below:

Title, change "Tower" to --Power--.

Signed and Sealed this
Fifteenth Day of March 1977

[SEAL]

Attest:

RUTH C. MASON
Attesting Officer

C. MARSHALL DANN
Commissioner of Patents and Trademarks