

[54] **COMBINED HOOK AND HANDLE FOR A CARRIER BAG**

[75] **Inventor:** Seymour Kamins, Oceanside, N.Y.

[73] **Assignee:** CTP Industries, Inc., Brooklyn, N.Y.

[\*\*] **Term:** 14 Years

[21] **Appl. No.:** 599,250

[22] **Filed:** July 25, 1975

[51] **Int. Cl.** ..... D8-06

[52] **U.S. Cl.** ..... D8/154

[58] **Field of Search** ..... D8/154, 158, 159; D9/292; D87/1 R; 229/54 R; 150/12

[56] **References Cited**

**U.S. PATENT DOCUMENTS**

3,363,827	1/1968	Renner et al. ....	229/54 R
3,391,853	7/1968	King .....	D9/292
3,452,922	7/1969	Hart .....	D9/292

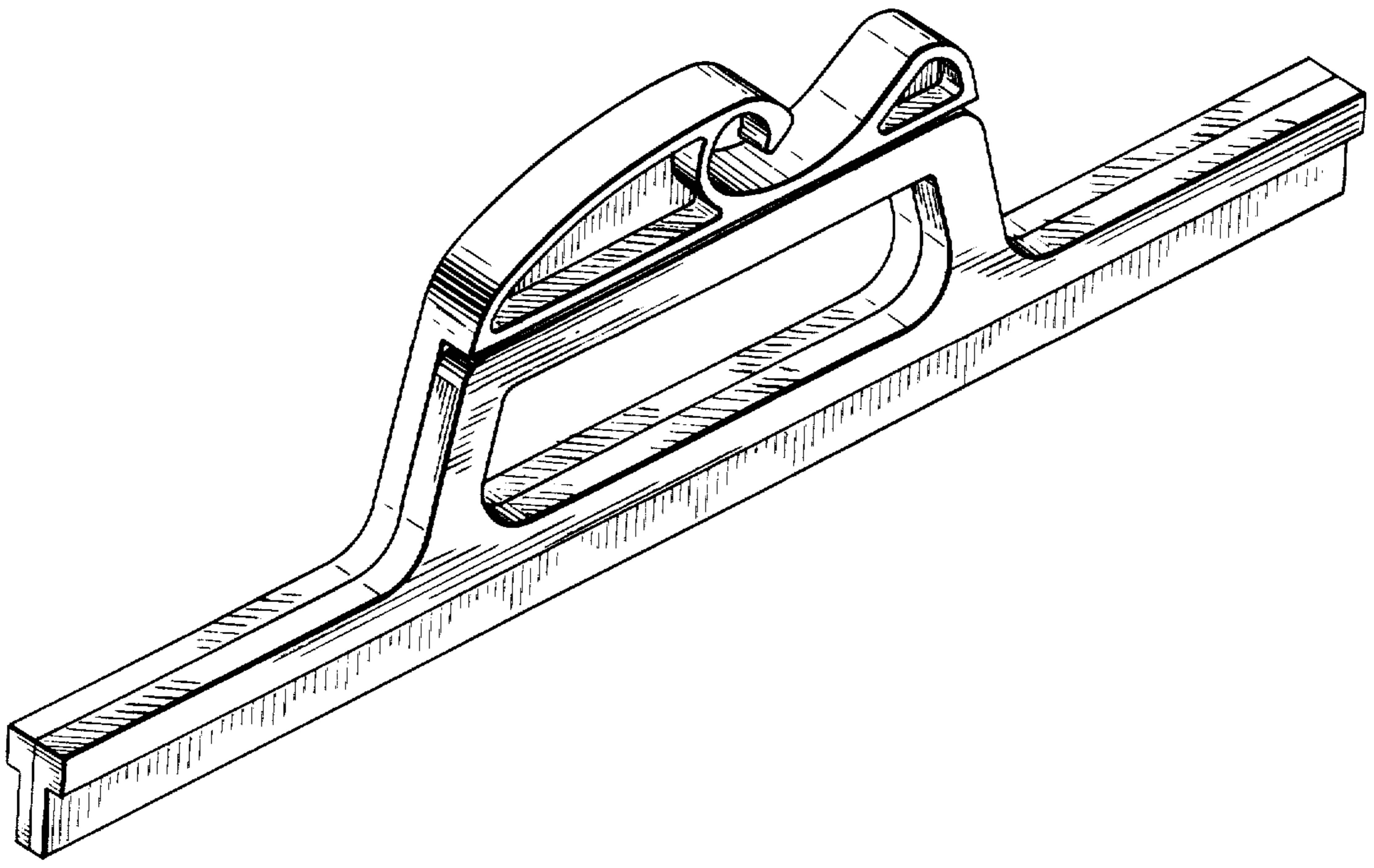
*Primary Examiner*—Joel Stearman  
*Assistant Examiner*—George P. Word  
*Attorney, Agent, or Firm*—George Vande Sande

[57] **CLAIM**

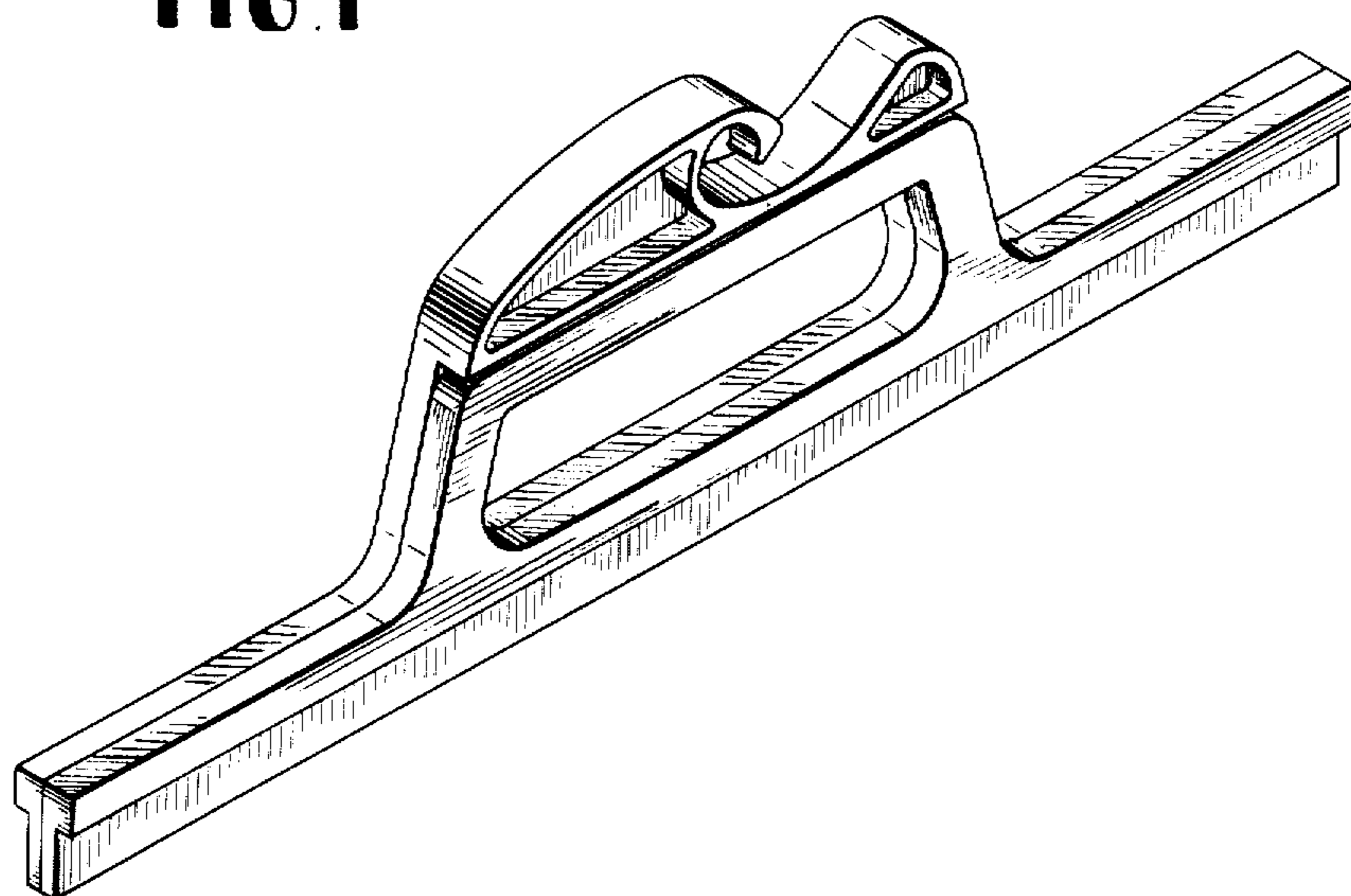
The ornamental design for a combined hook and handle for a carrier bag, as shown.

**DESCRIPTION**

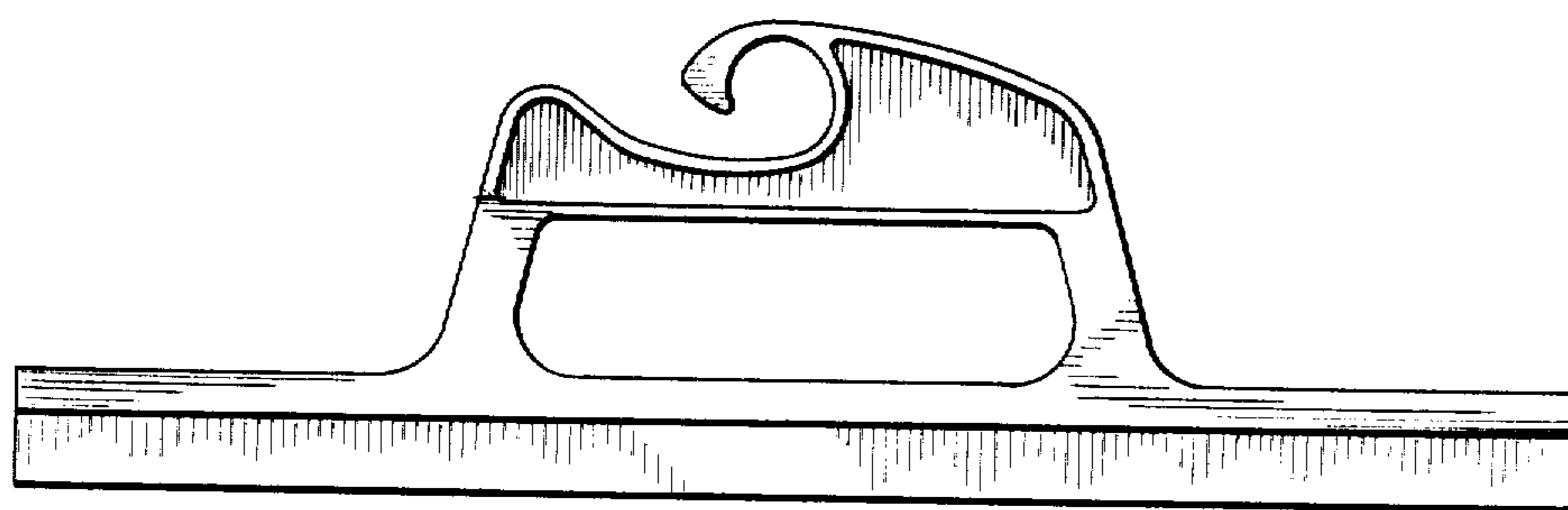
FIG. 1 is a perspective view of a combined hook and handle for a carrier bag showing my new design; FIG. 2 is a rear elevational view; and FIG. 3 is a right end elevational view.



**FIG. 1**



**FIG. 2**



**FIG. 3**

