

[54] **DOOR FASTENER**
 [76] Inventor: **Robert S. Carlton**, 10006 Cedar,
 Overland Park, Kans. 66207
 [**] Term: **14 Years**
 [21] Appl. No.: **615,713**
 [22] Filed: **Sept. 22, 1975**
 [51] Int. Cl. **D8-07**
 [52] U.S. Cl. **D8/109**
 [58] Field of Search 292/291, 293, 294;
 D8/109

2,160,460 5/1939 McNaney 292/291

FOREIGN PATENT DOCUMENTS

575,877 5/1924 France 292/293

Primary Examiner—William N. Wertman
Attorney, Agent, or Firm—Claude A. Fishburn

[57] **CLAIM**

The ornamental design for a door fastener, as shown.

DESCRIPTION

FIG. 1 is a perspective view of a door fastener embodying my design.

FIG. 2 is a top plan view thereof.

FIG. 3 is a side elevational view thereof.

FIG. 4 is an elevational view of one end thereof.

FIG. 5 is an elevational view of the end thereof opposite the end shown in FIG. 4.

[56] **References Cited**
U.S. PATENT DOCUMENTS

635,892	10/1899	Holmes	292/294
735,962	8/1903	Gartz	292/294
894,554	7/1908	Weber	292/291
914,204	3/1909	Thorin	292/293

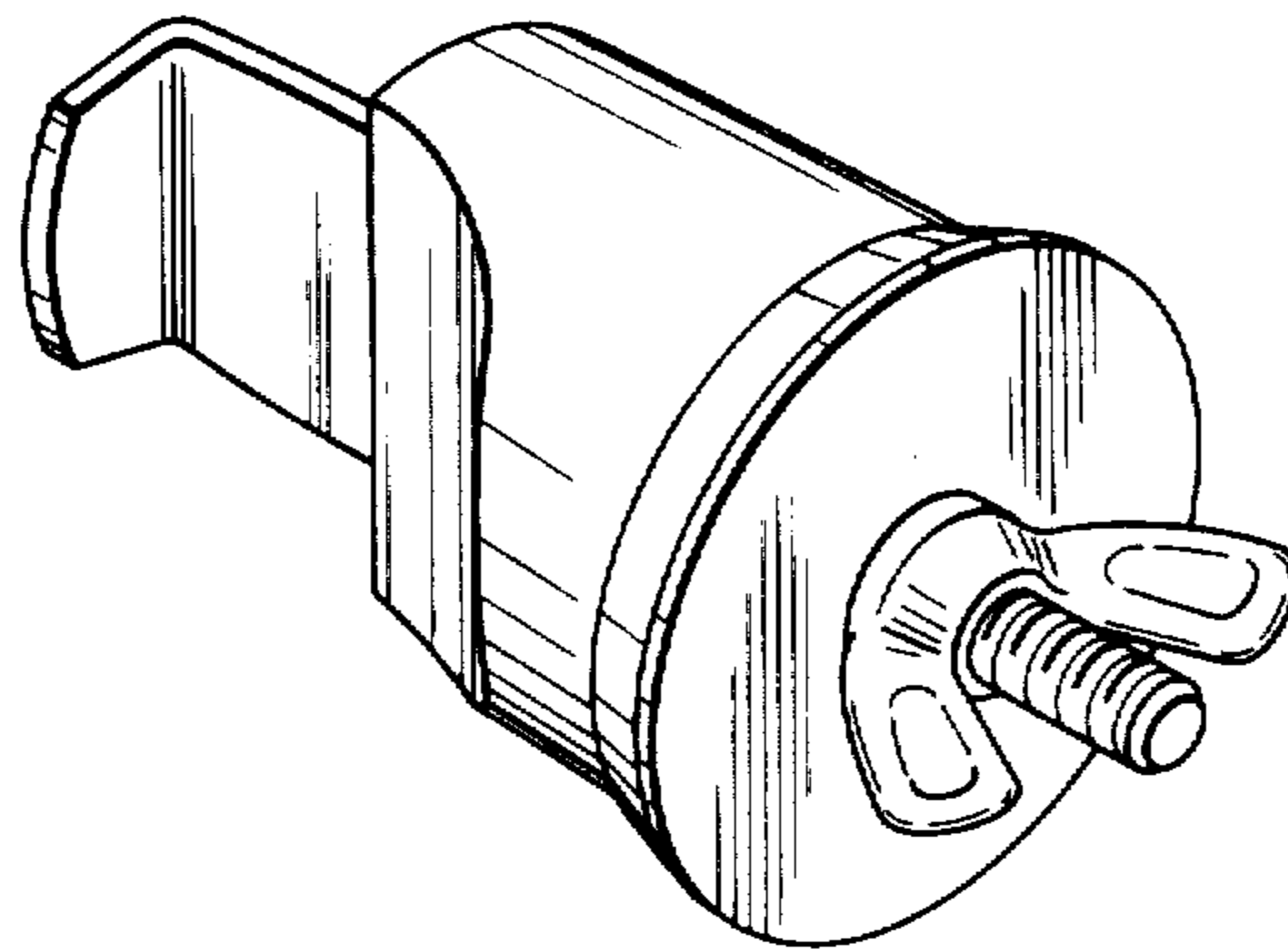


Fig. 1.

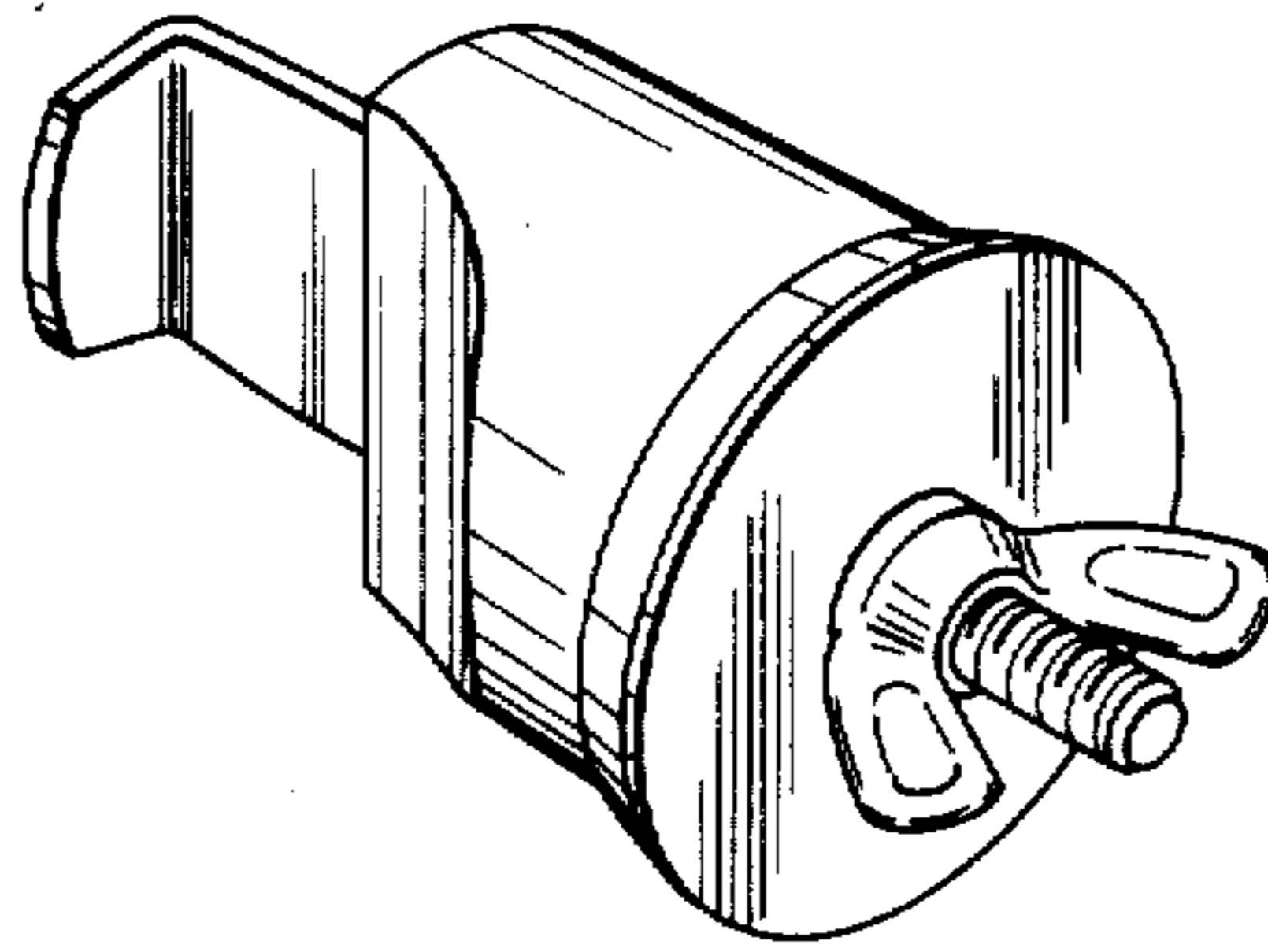


Fig. 2.

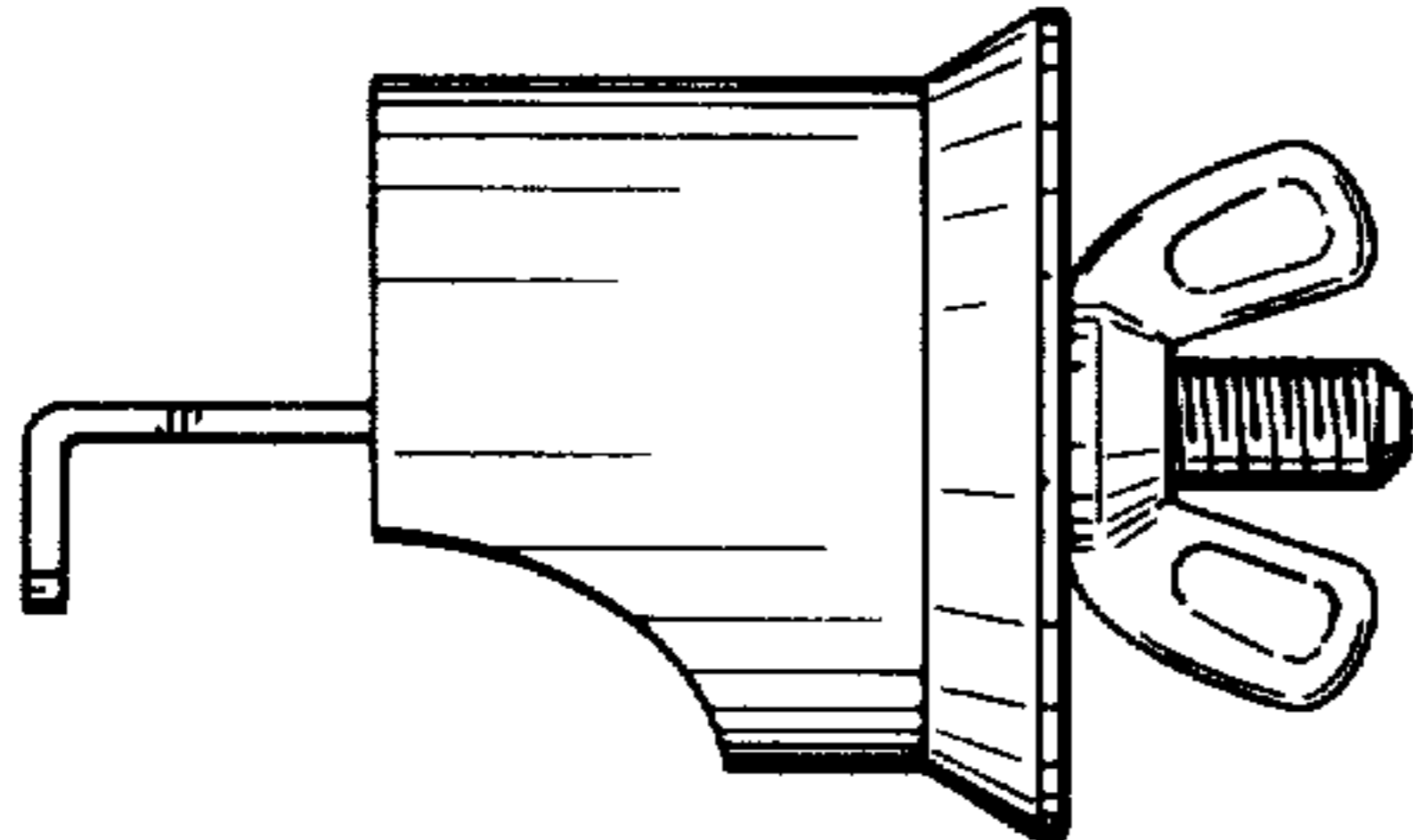


Fig. 3.

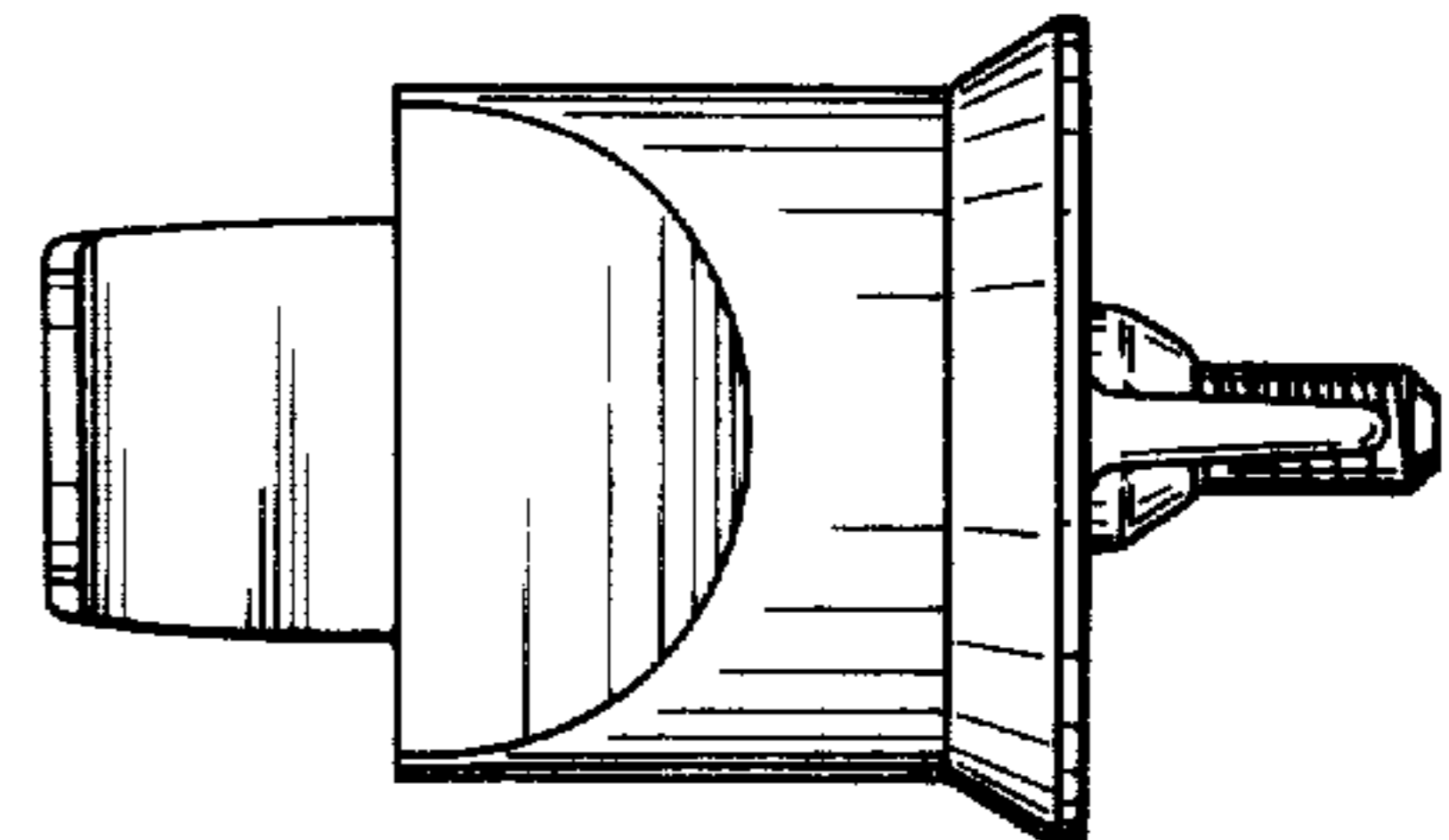


Fig. 4.

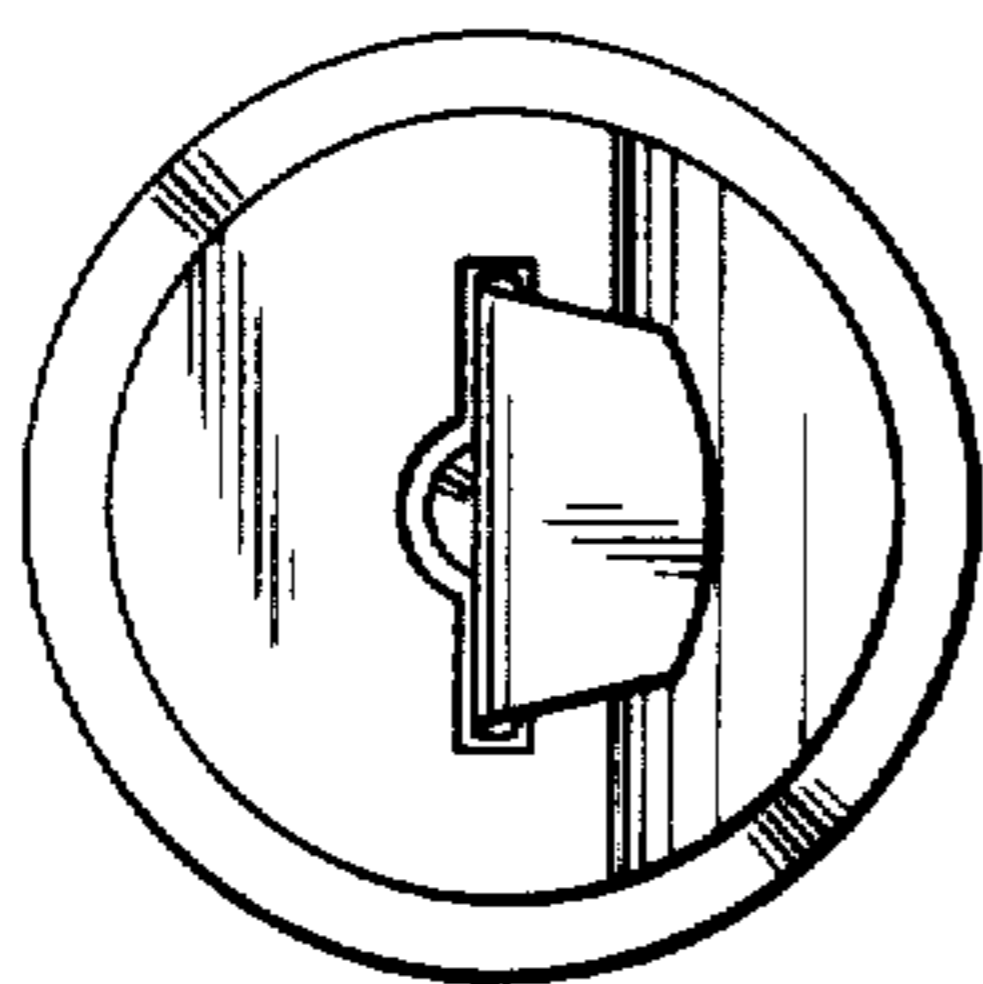


Fig. 5.

