

[54] SNOW SHOVEL

[76] Inventor: Vincent S. DiCarlo, 611 W. 57th St., Kansas City, Mo. 64113

[**] Term: 14 Years

[21] Appl. No.: 578,131

[22] Filed: May 16, 1975

[51] Int. Cl. D8-01

[52] U.S. Cl. D8/10

[58] Field of Search D8/10; 294/54, 55, 51, 294/56, 49

[56] References Cited

U.S. PATENT DOCUMENTS

841,848	1/1907	Conner	294/54
2,896,993	7/1959	Pollock	294/55

3,727,964 4/1973 Nordvik 294/54

Primary Examiner—Wallace R. Burke
Assistant Examiner—Larry Jones
Attorney, Agent, or Firm—Claude A. Fishburn

[57] CLAIM

The ornamental design for a snow shovel, as shown.

DESCRIPTION

FIG. 1 is a perspective view of a snow shovel embodying my design.

FIG. 2 is a front elevational view thereof.

FIG. 3 is a rear elevational view thereof.

FIG. 4 is an end elevational view of one end thereof.

FIG. 5 is an end elevational view of the other end thereof.

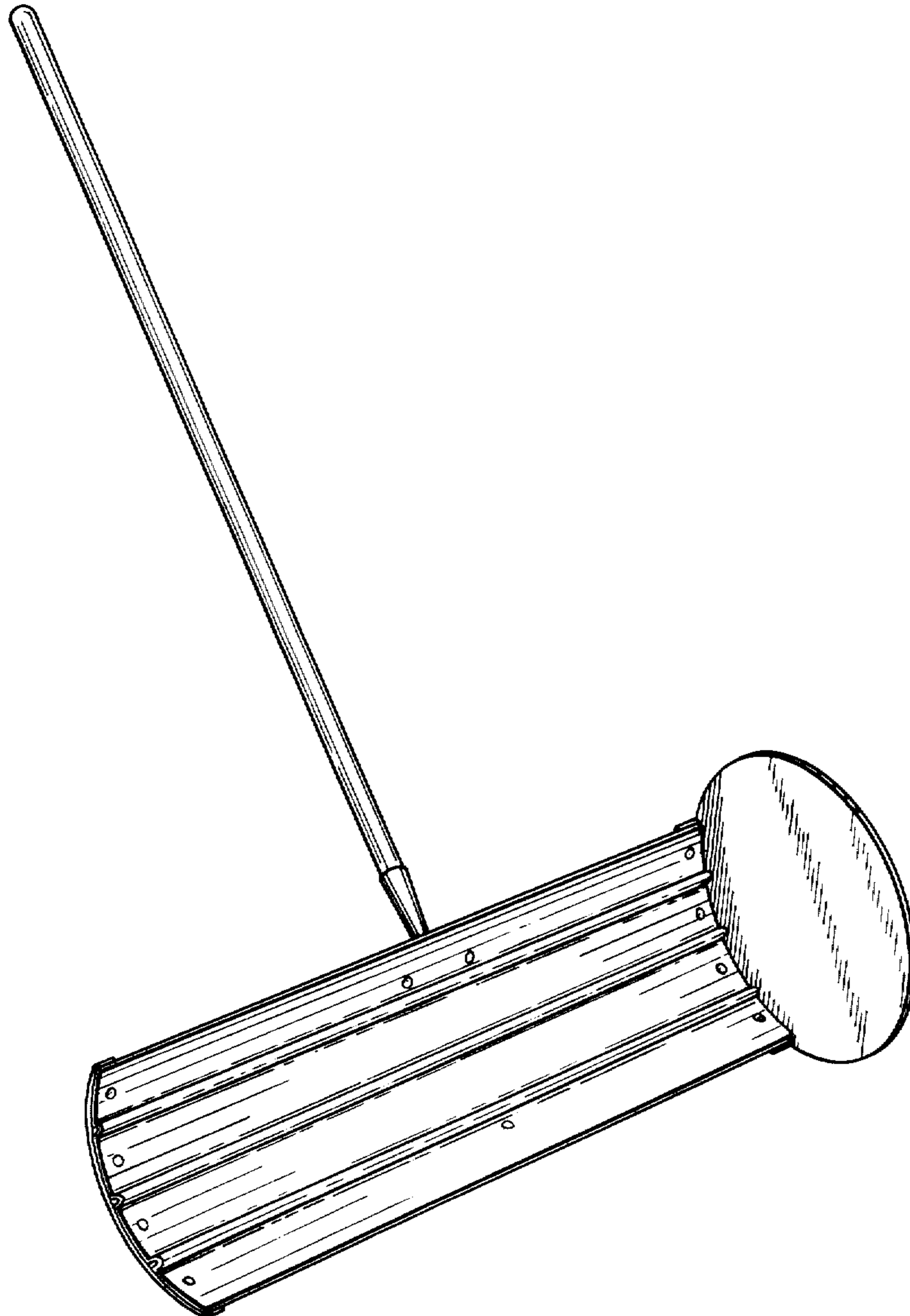


Fig. 5.

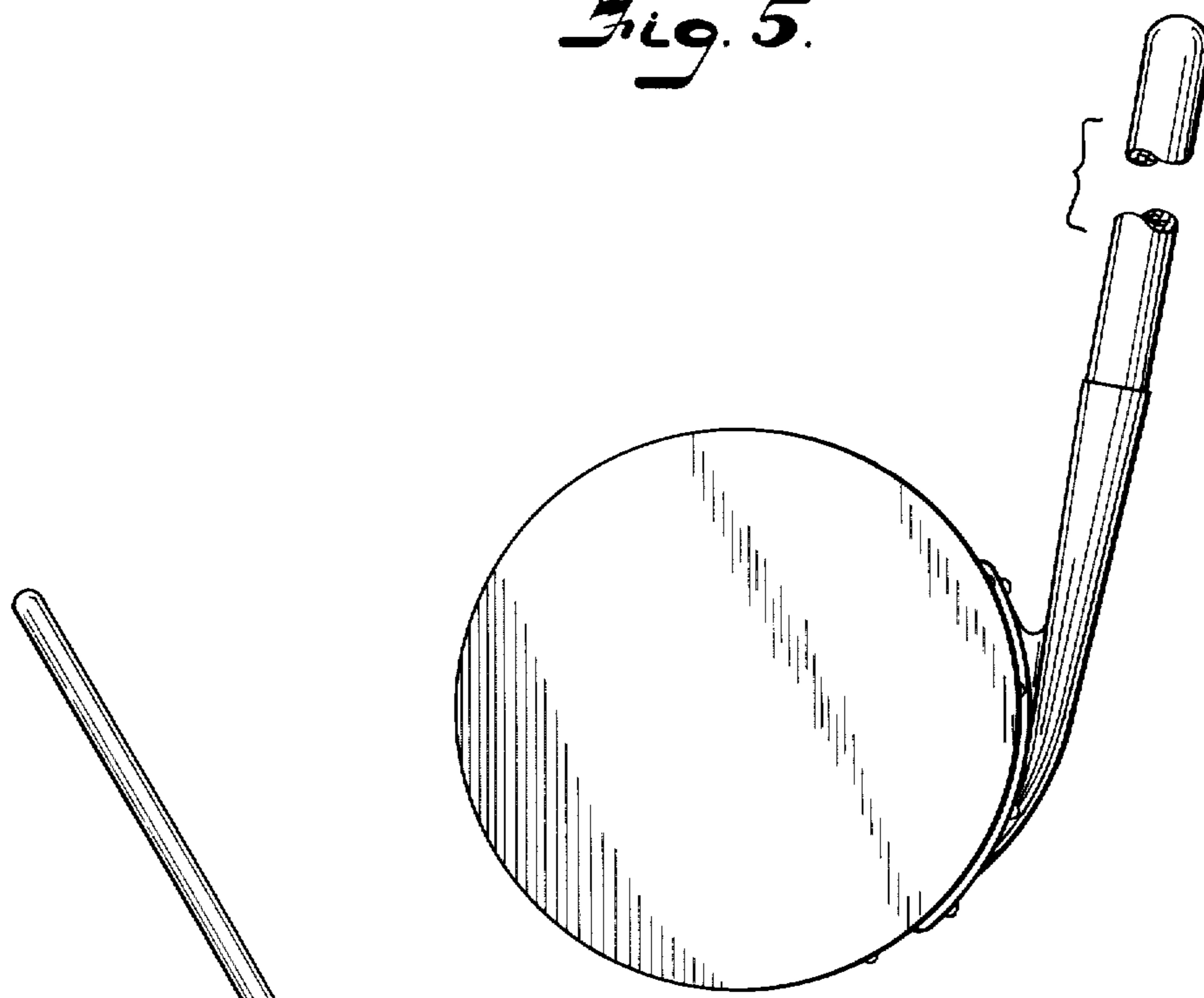


Fig. 1.

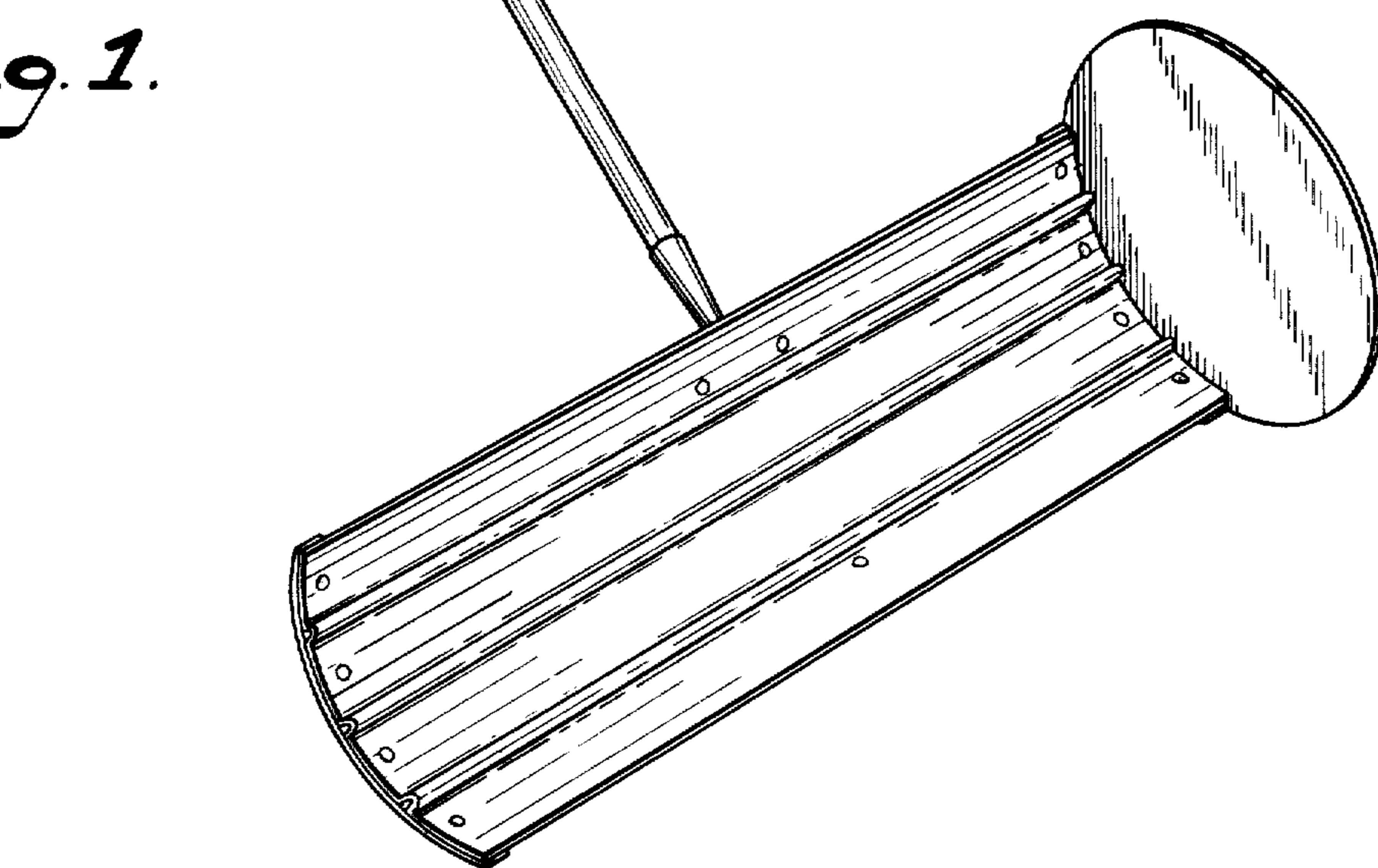


Fig. 2.

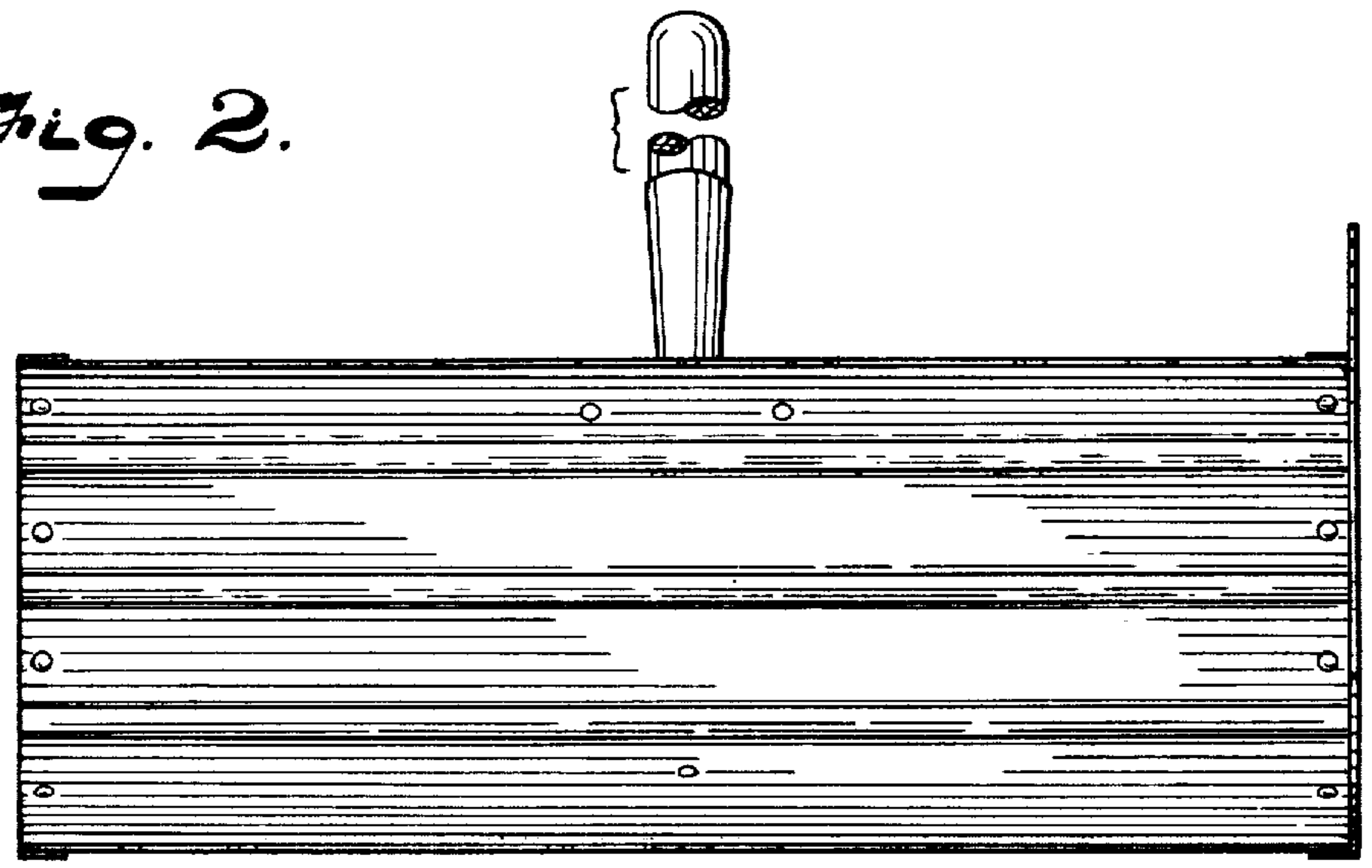


Fig. 3.

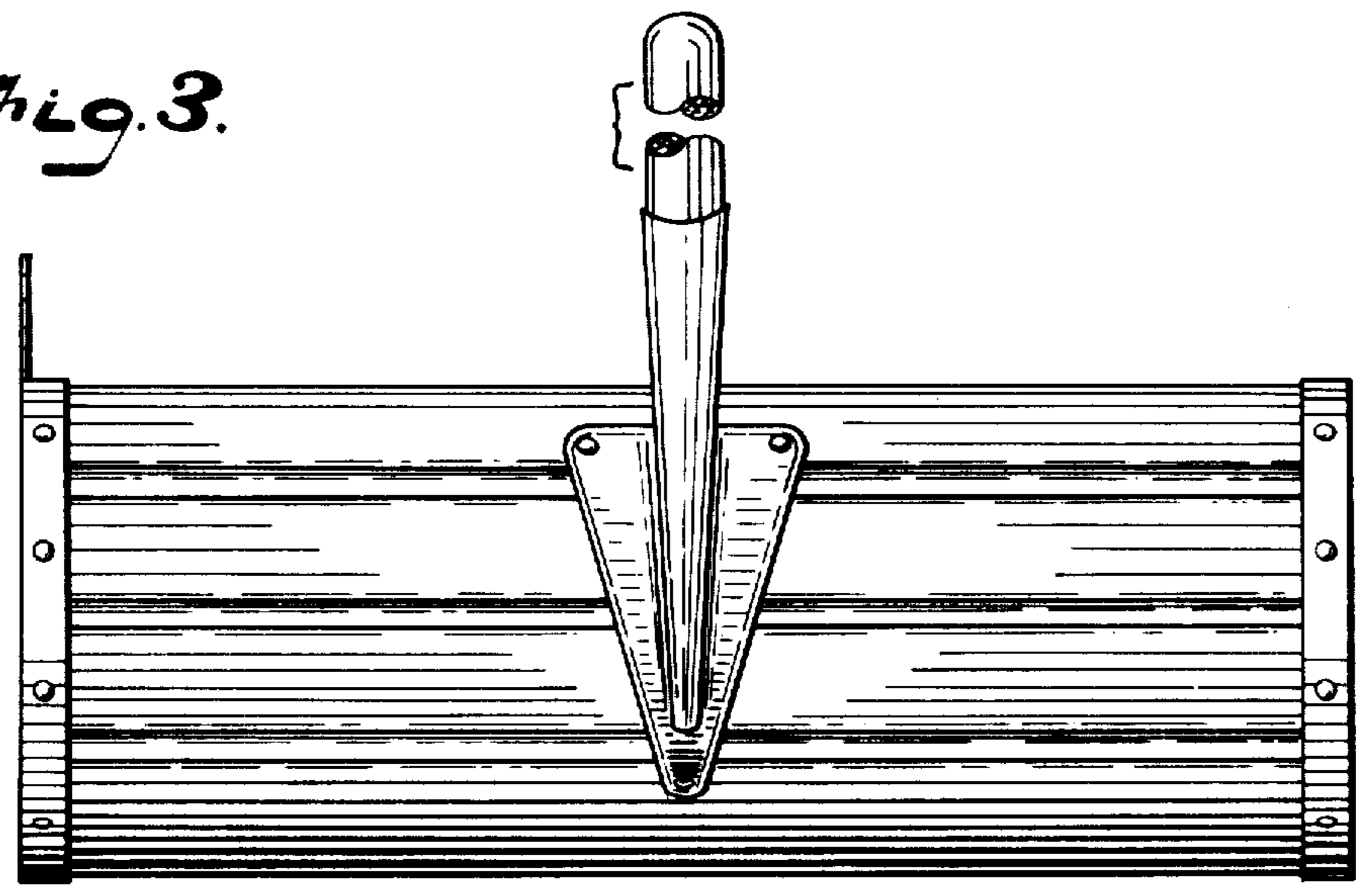


Fig. 4.

