

[54] SEAT PEDESTAL
 [75] Inventor: Robert E. Strang, North Liberty, Ind.
 [73] Assignee: The Injection Plastic Co., Inc., Plymouth, Ind.
 [**] Term: 7 Years
 [21] Appl. No.: 598,205
 [22] Filed: July 23, 1975
 [51] Int. Cl. D6-06
 [52] U.S. Cl. D6/194
 [58] Field of Search D6/20, 22, 26, 30, 31, D6/191-194; 297/445-451, 349; 248/418, 188.1

3,913,877 10/1975 Wiener 248/188.1 X
 3,926,396 12/1975 Hall et al. 248/418

Primary Examiner—Bruce W. Dunkins
 Attorney, Agent, or Firm—Marmaduke A. Hobbs

[57] CLAIM

The ornamental design for a seat pedestal, substantially as shown.

DESCRIPTION

FIG. 1 is a side elevational view of the seat pedestal embodying the present design;
 FIG. 2 is an elevational view of the seat pedestal shown in FIG. 1, showing the side opposite that seen in FIG. 1;
 FIG. 3 is a rear elevational view of the seat pedestal seen in FIGS. 1 and 2;
 FIG. 4 is a front elevational view of the seat pedestal shown in the preceding figures;
 FIG. 5 is a perspective view of the seat pedestal shown in the preceding figures; and
 FIG. 6 is a top plan view of the seat pedestal.

[56] References Cited
 U.S. PATENT DOCUMENTS
 2,583,414 1/1952 Chain 248/188.1
 3,873,054 3/1975 McKee et al. 248/418 X

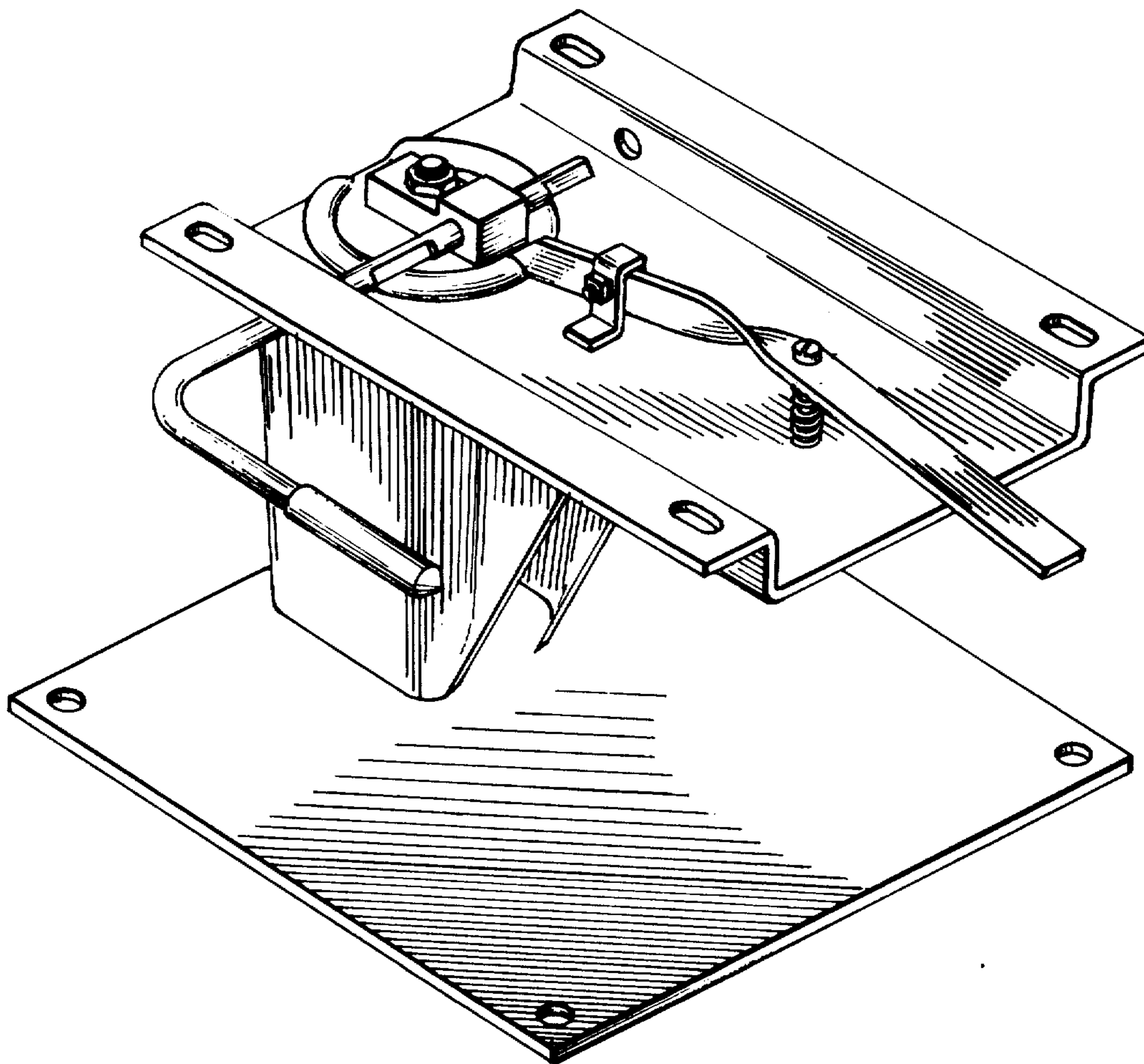


Fig. 1

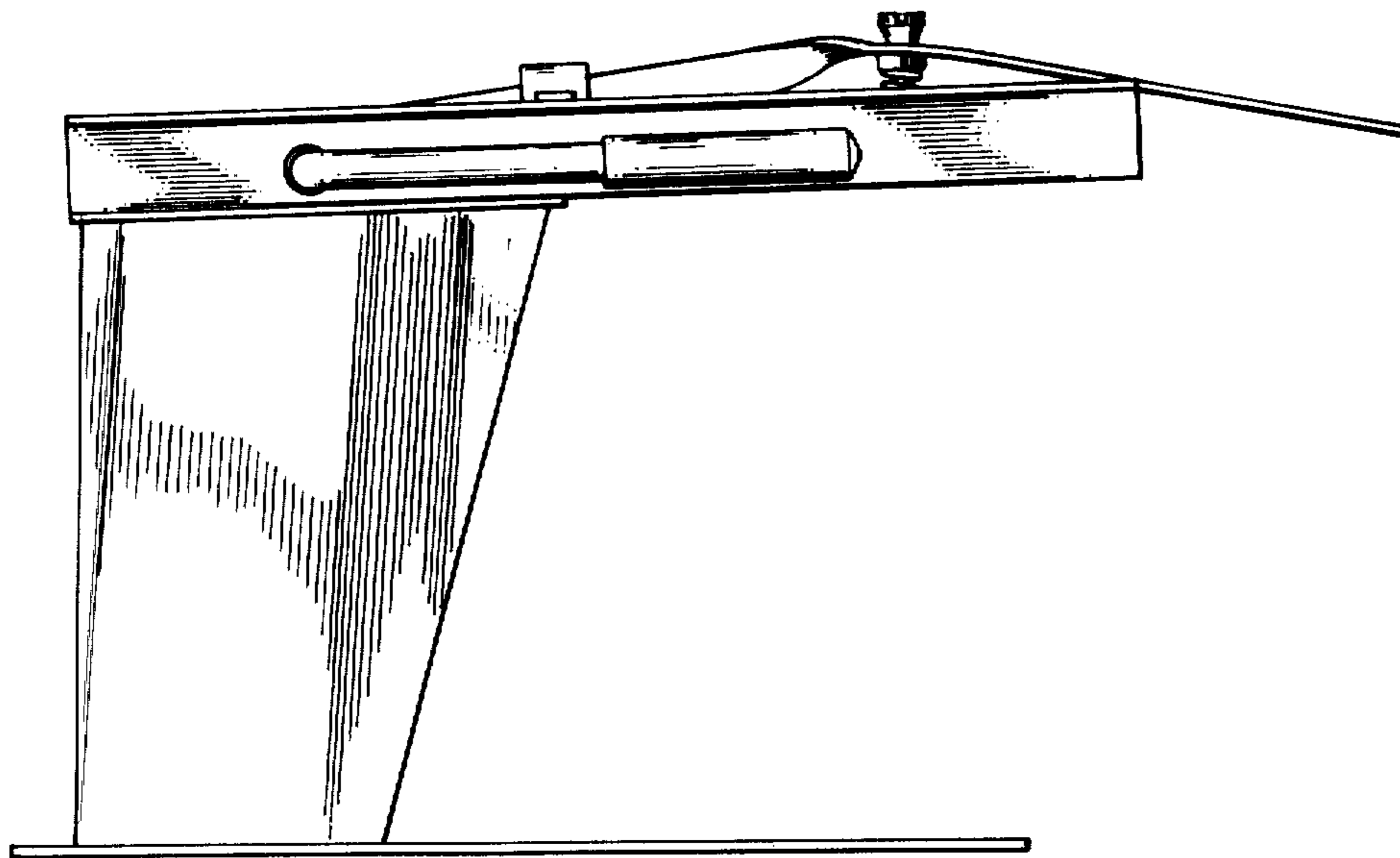


Fig. 2

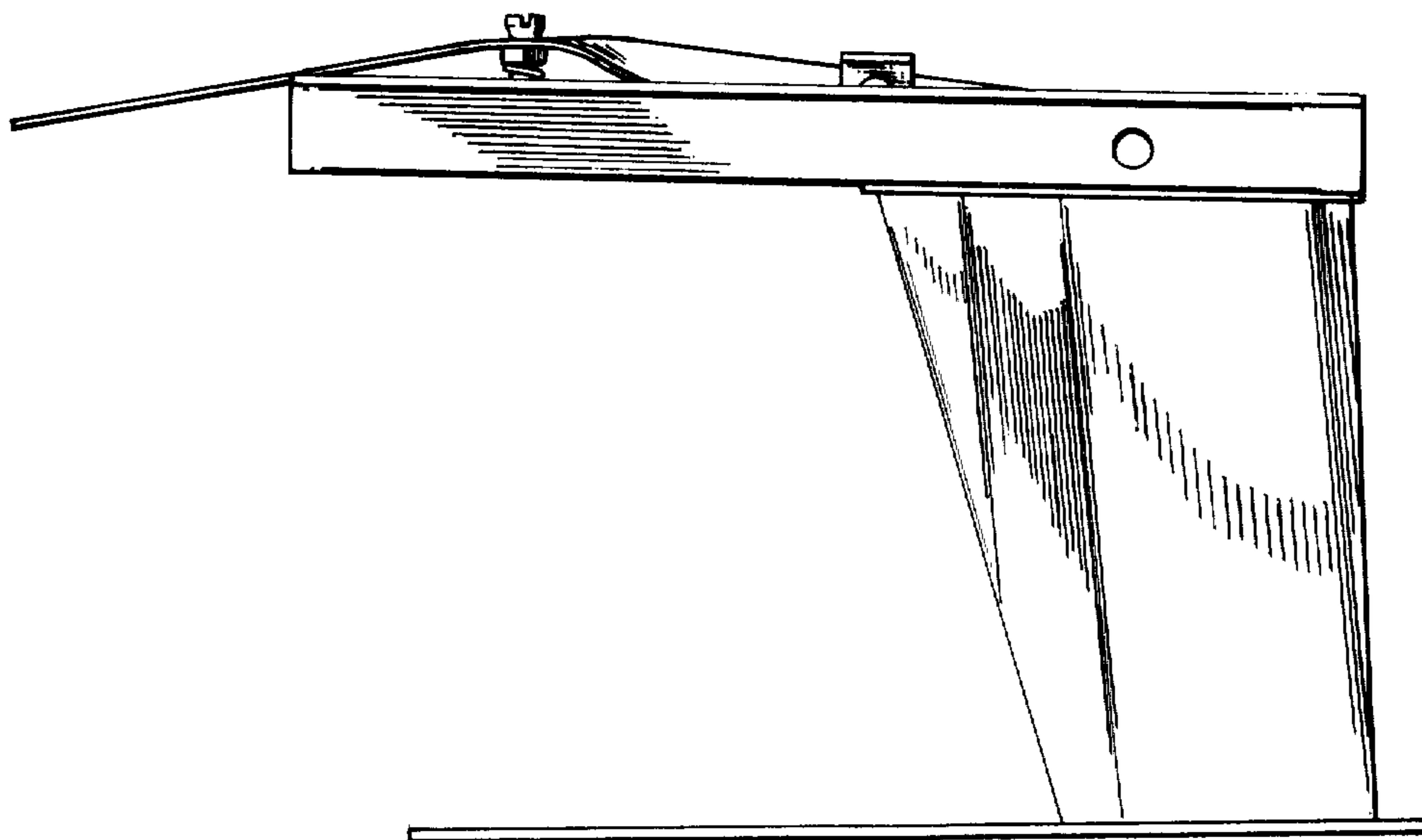


Fig. 3

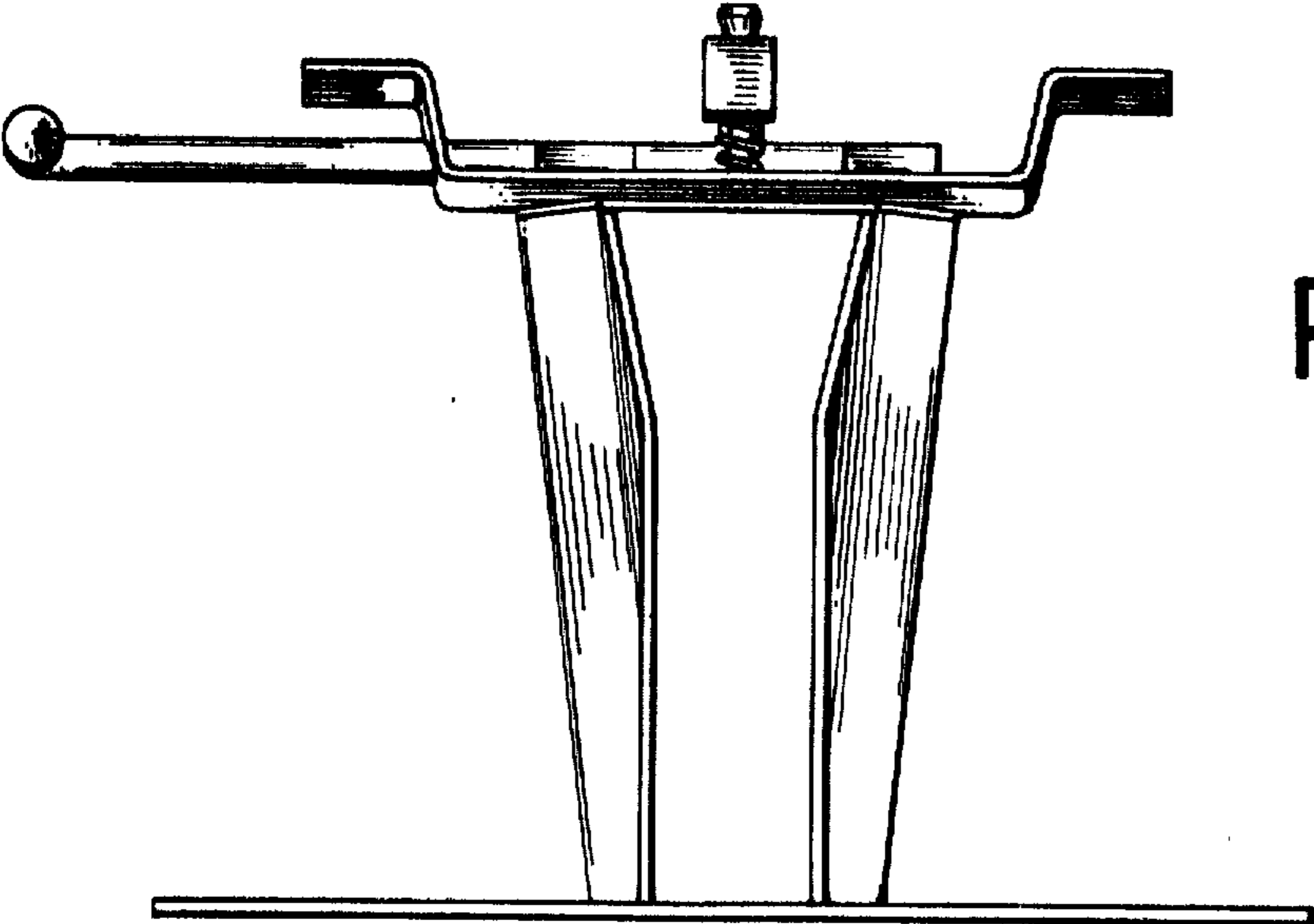
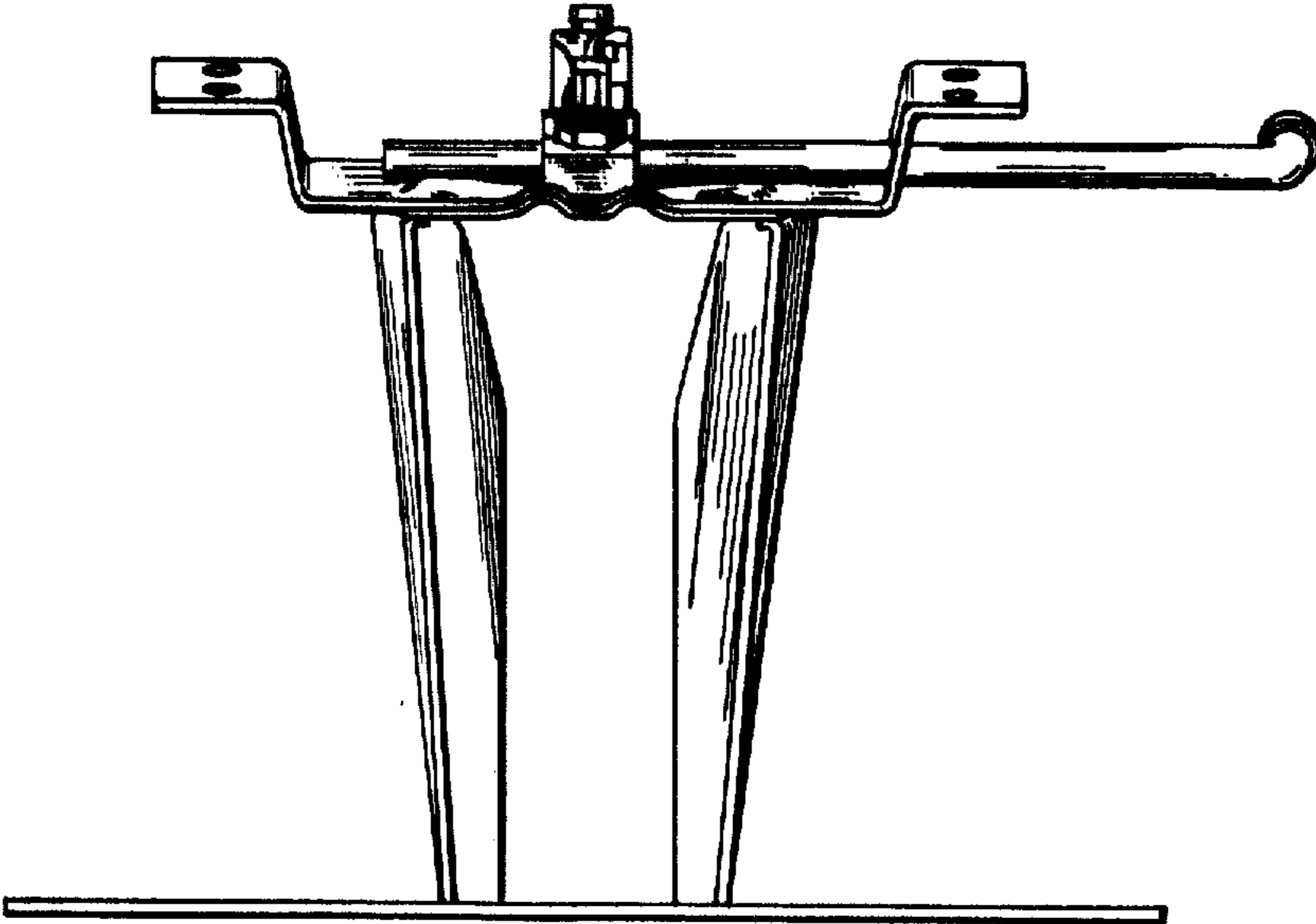


Fig. 4

Fig. 5

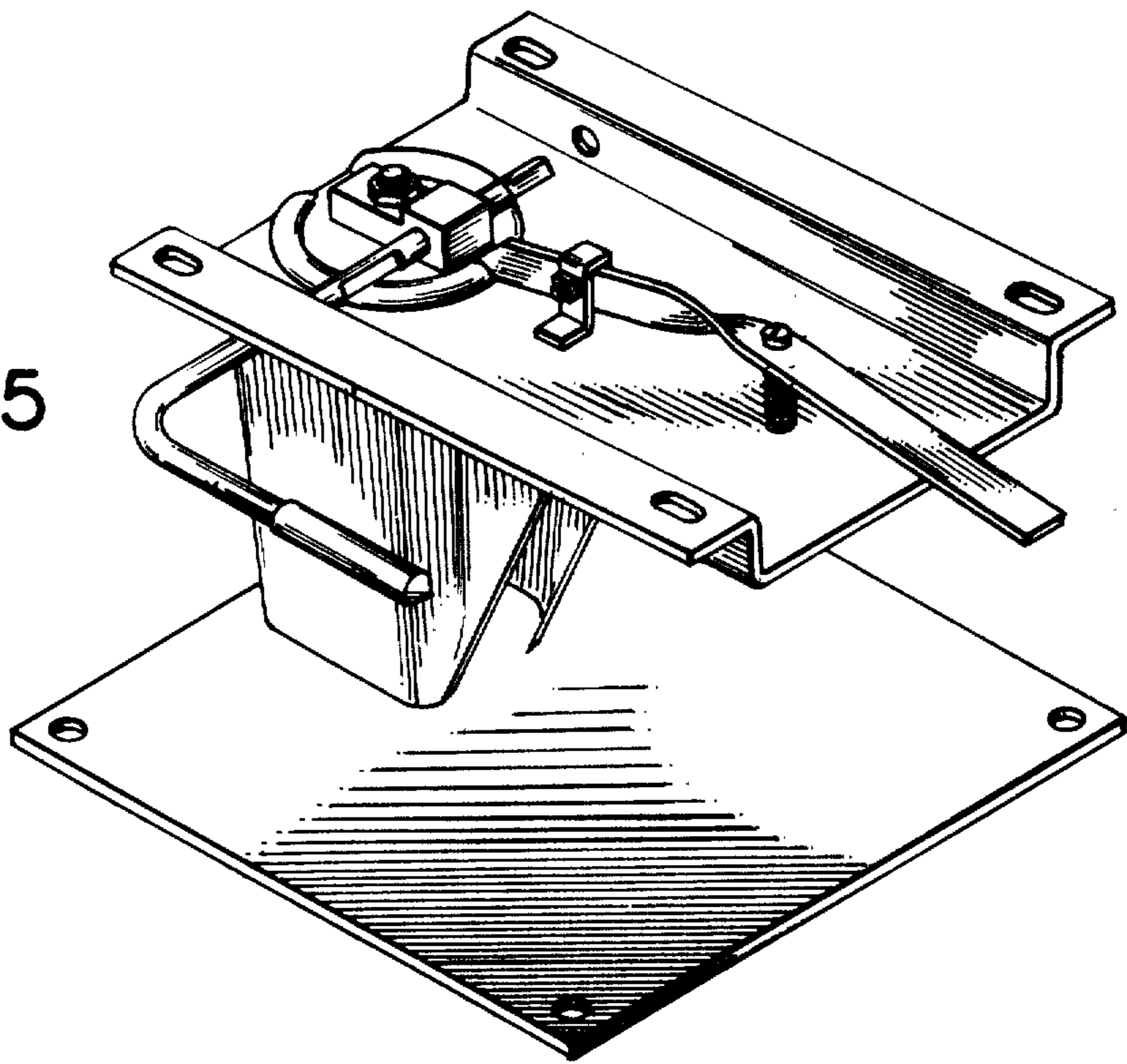


Fig. 6

