

[54] FOLDABLE PAINTER'S EASEL

[76] Inventor: Archie H. Stark, 7850 Slater Ave., Space No. 54, Huntington Beach, Calif. 92647

[**] Term: 14 Years

[21] Appl. No.: 591,283

[22] Filed: June 30, 1975

[51] Int. Cl. D6-99

[52] U.S. Cl. D6/176

[58] Field of Search D6/17, 85, 55, 176; 248/166, 170, 171

[56] References Cited

U.S. PATENT DOCUMENTS

D. 182,061 2/1958 Cote D6/17
D. 190,906 7/1961 Blumershine D6/17

OTHER PUBLICATIONS

Art Brown Cat., 1973, p. 62, Easel top right.
Art Brown Cat., 1973, p. 60, Weber Painter's Easel top left.

Primary Examiner—Bruce W. Dunkins
Attorney, Agent, or Firm—Harold C. Weston

[57] CLAIM

The ornamental design for a foldable painter's easel, as shown and described.

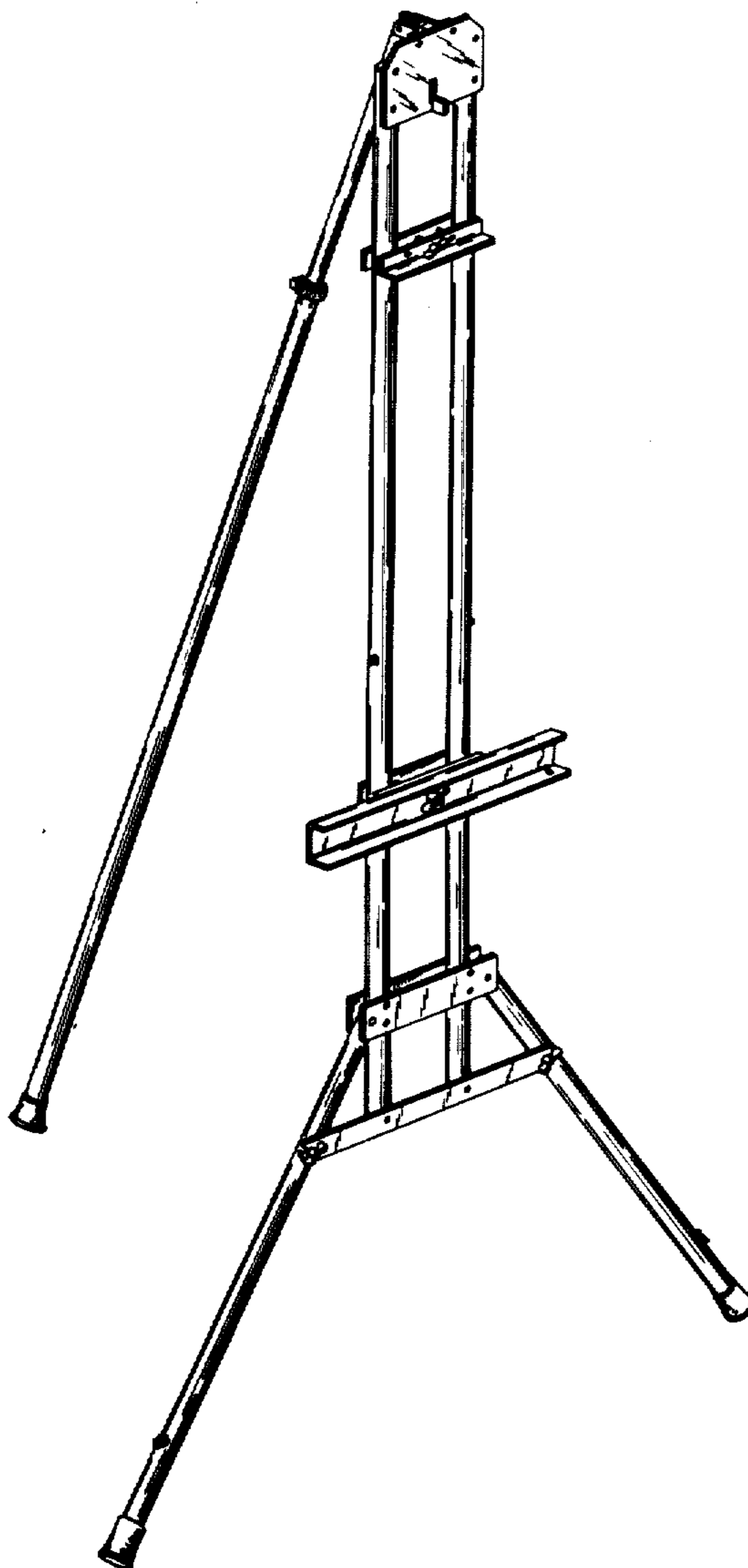
DESCRIPTION

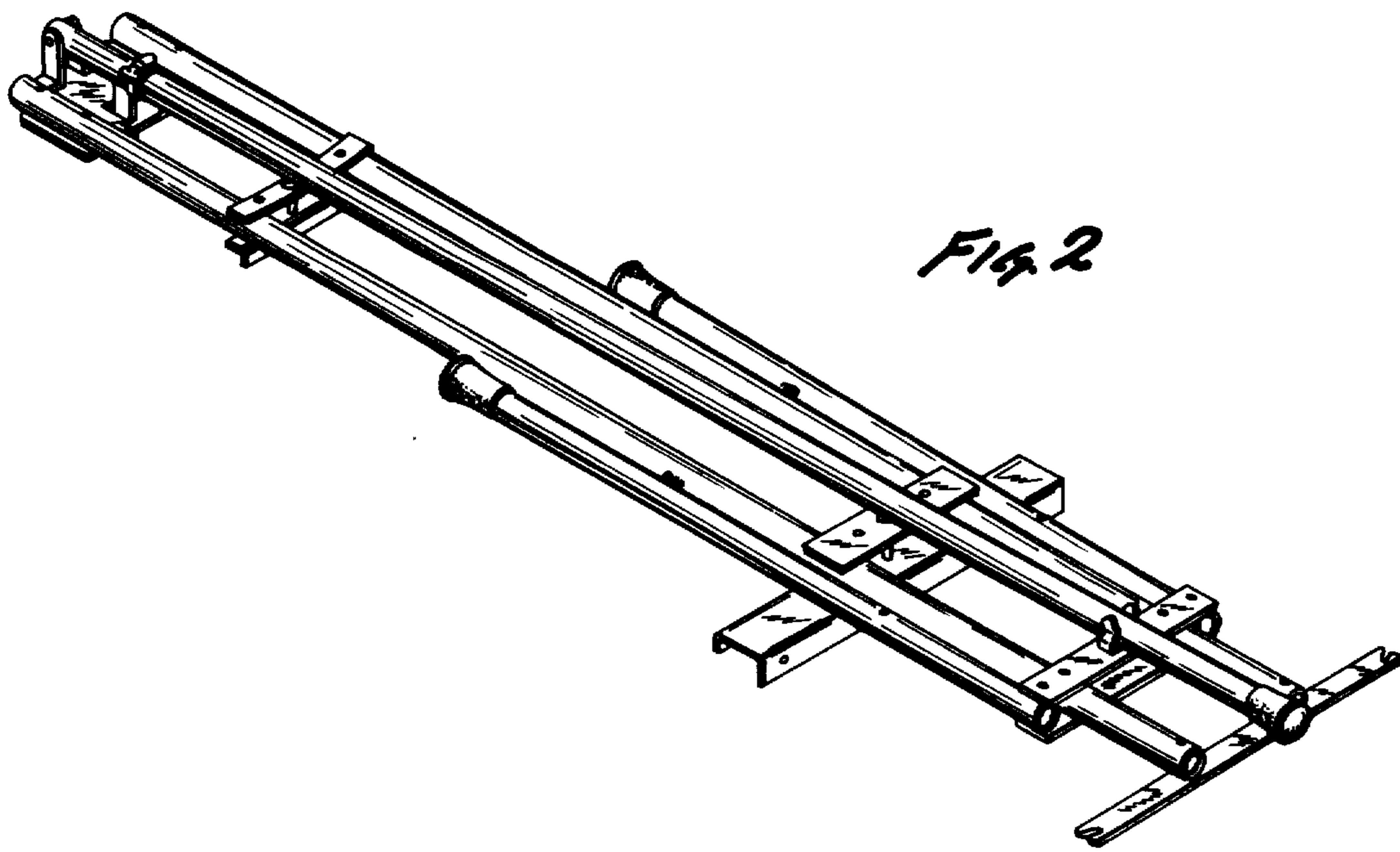
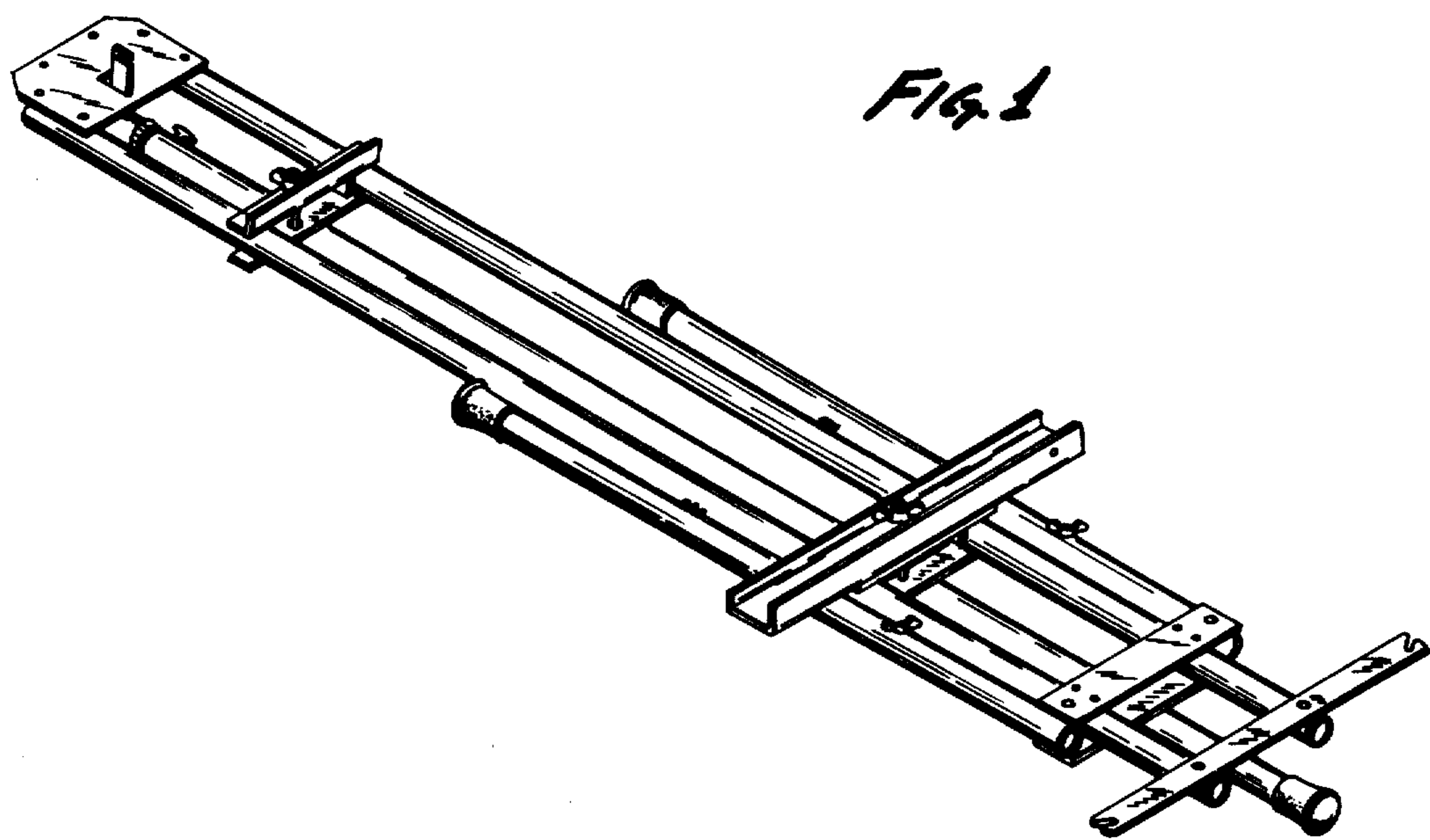
FIG. 1 is a front view of the easel in its folded or collapsed state.

FIG. 2 is a rear view of the folded or collapsed easel of FIG. 1.

FIG. 3 is a front slant view of the easel in its erected or functional condition.

FIG. 4 is a rear slant view of the easel in its erected or functional condition.





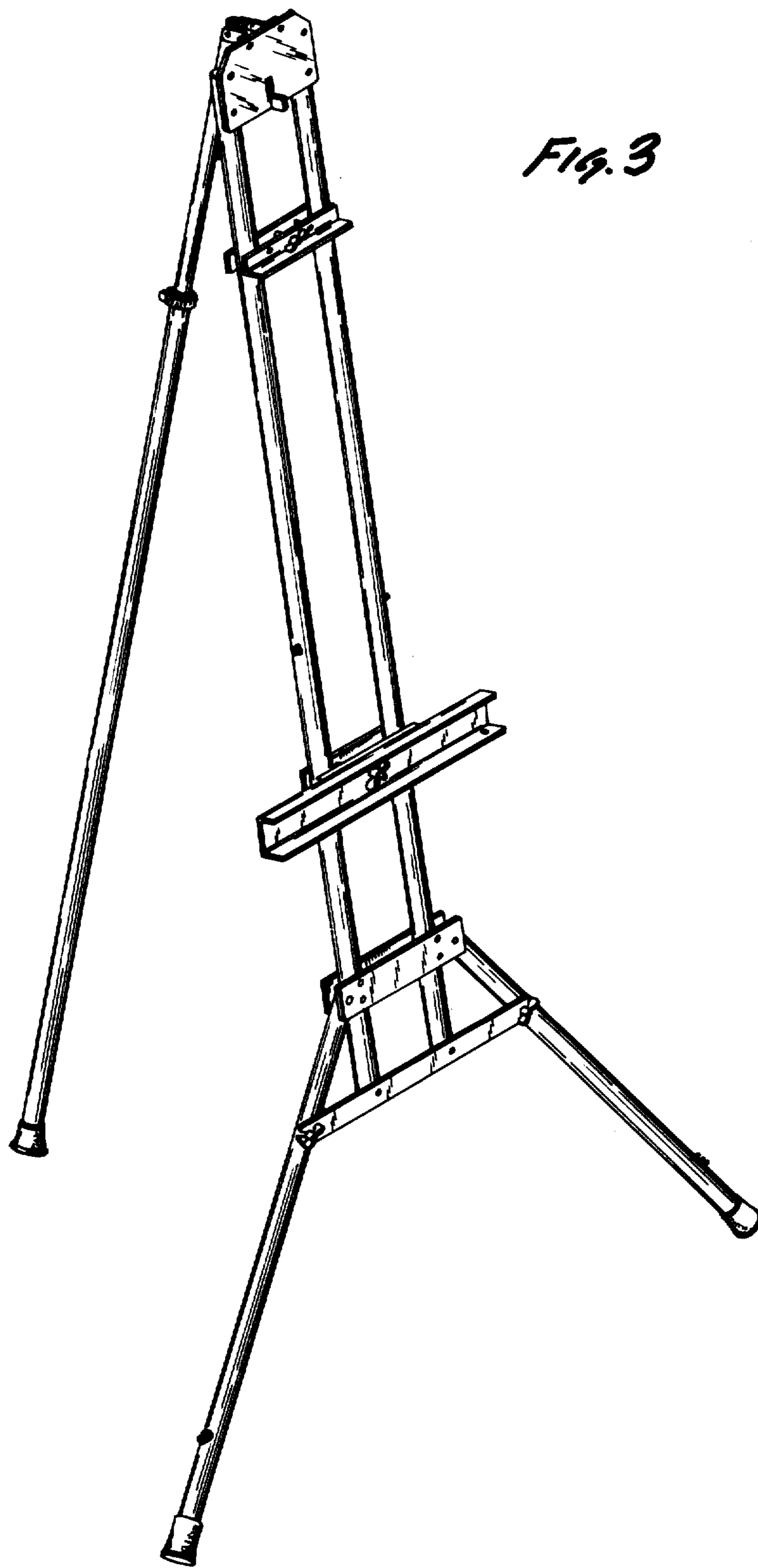


Fig. 3

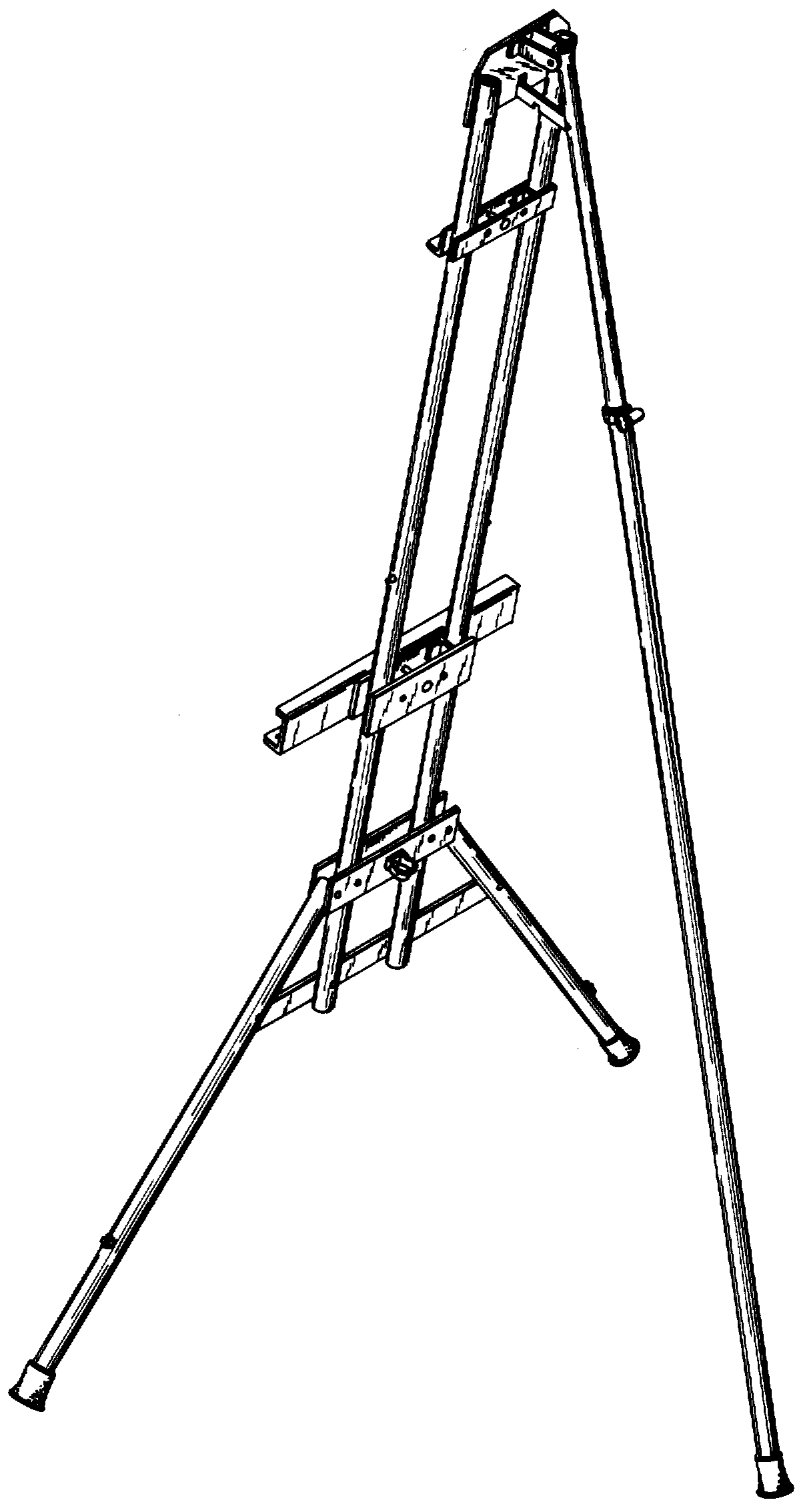


FIG. 4