

[54] SHOULDER CONTOUR GARMENT HANGER

726,317 5/1932 France ..... 223/88

[76] Inventor: Charles F. Boren, 16230 Orchard Ave., Gardena, Calif. 90247

Primary Examiner—Wallace R. Burke  
Assistant Examiner—B. J. Bullock  
Attorney, Agent, or Firm—Howard L. Johnson

[\*\*] Term: 14 Years

[21] Appl. No.: 639,370

[22] Filed: Dec. 10, 1975

[51] Int. Cl. .... D6-08

[52] U.S. Cl. .... D6/256

[58] Field of Search ..... D6/113, 114, 247-256;  
211/113; 223/85, 87-96, 98, DIG. 1, DIG. 3,  
DIG. 4; 248/317, 318

[57] CLAIM

The ornamental design for a shoulder contour garment hanger, substantially as shown.

DESCRIPTION

FIG. 1 is a top plan view of my shoulder contour garment hanger, showing my new design.  
FIG. 2 is a front elevational view thereof.  
FIG. 3 is a rear elevational view thereof.  
FIG. 4 is a bottom plan view thereof.  
FIG. 5 is an end elevational view taken from the right of FIG. 1.  
FIG. 6 is a sectional view taken along line 6-6 of FIG. 2.  
FIG. 7 is a perspective view thereof.

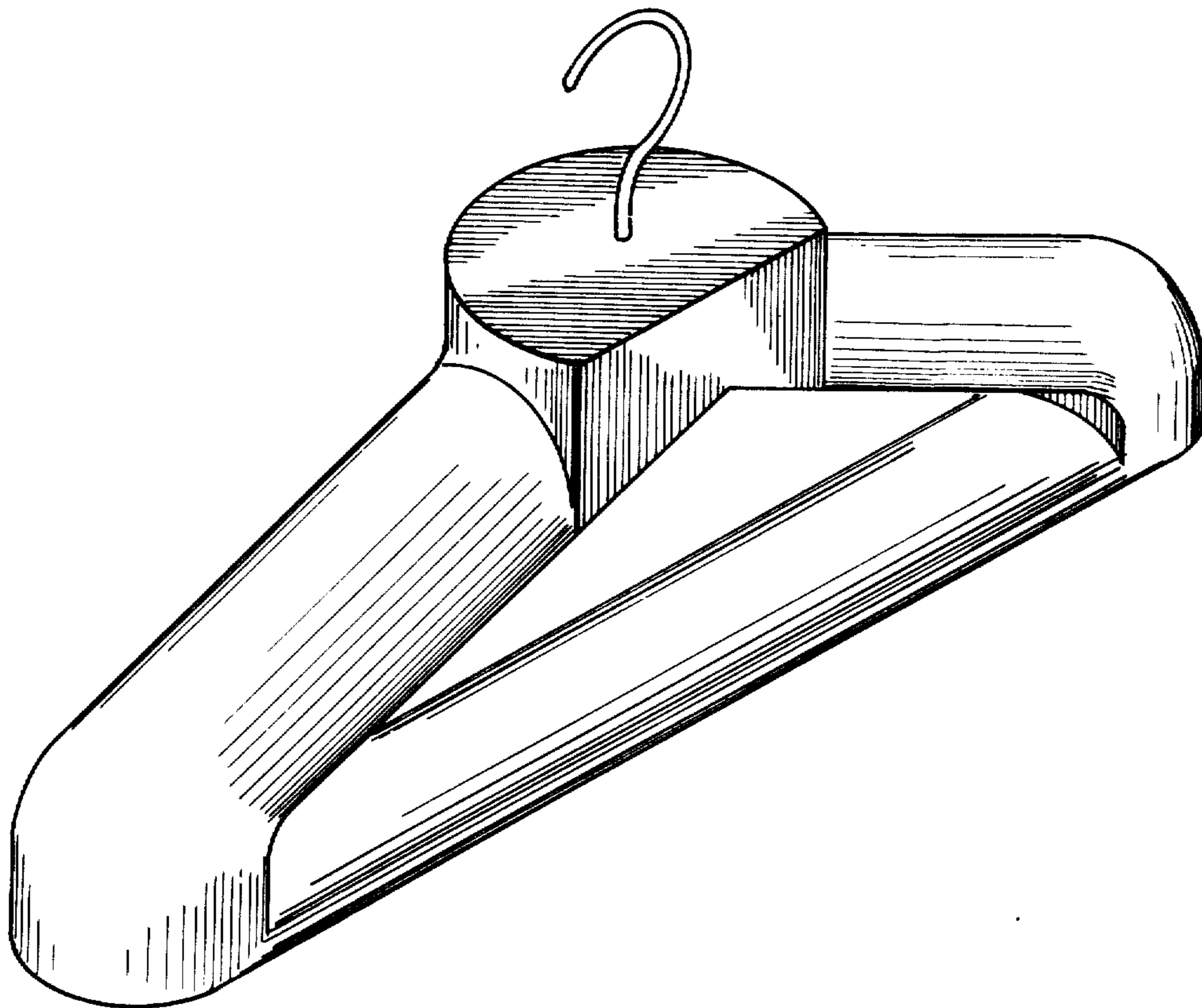
[56] References Cited

U.S. PATENT DOCUMENTS

847,329 3/1907 Gebhardt ..... D6/247  
2,114,803 4/1938 Kurucz et al. .... D6/248  
2,883,095 4/1959 Greenbaum ..... 223/90

FOREIGN PATENT DOCUMENTS

1,151,873 2/1958 France ..... 223/88



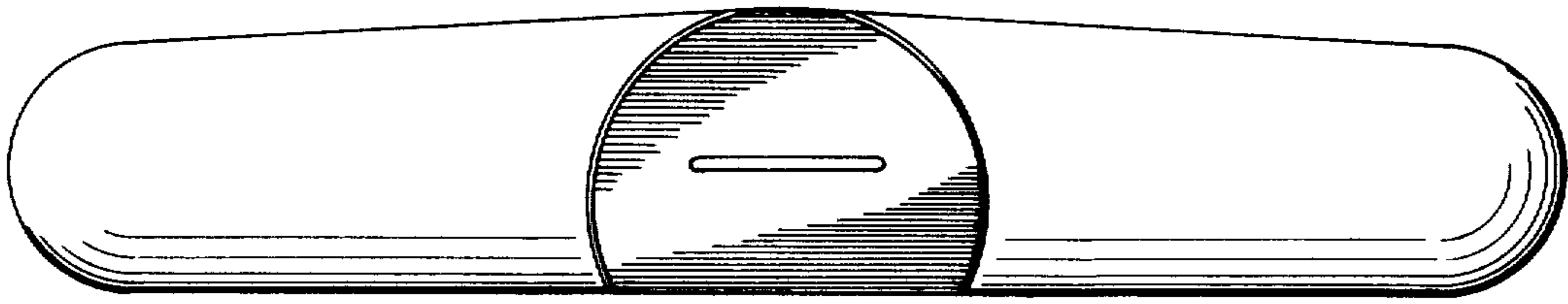


FIG. 1

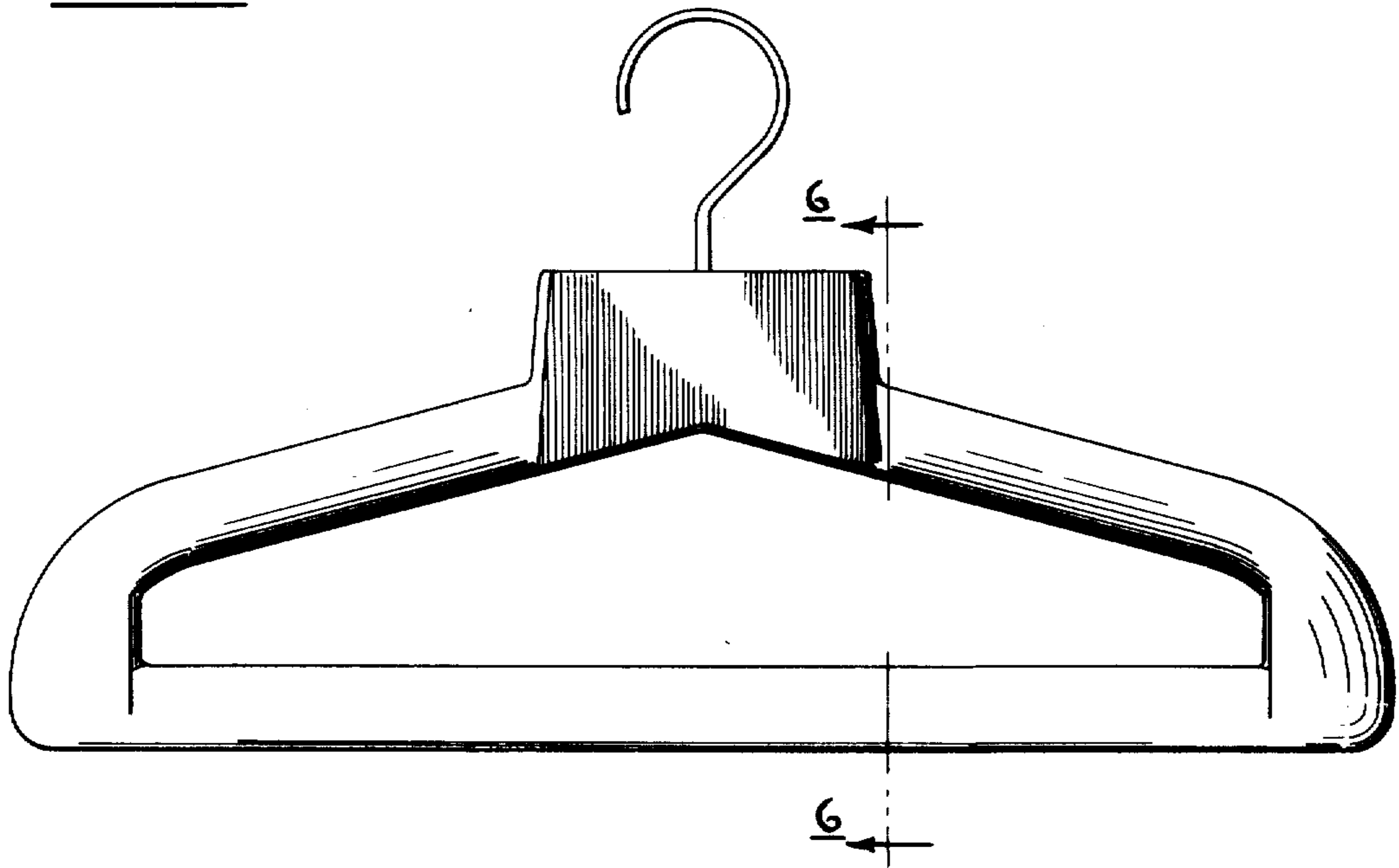


FIG. 2

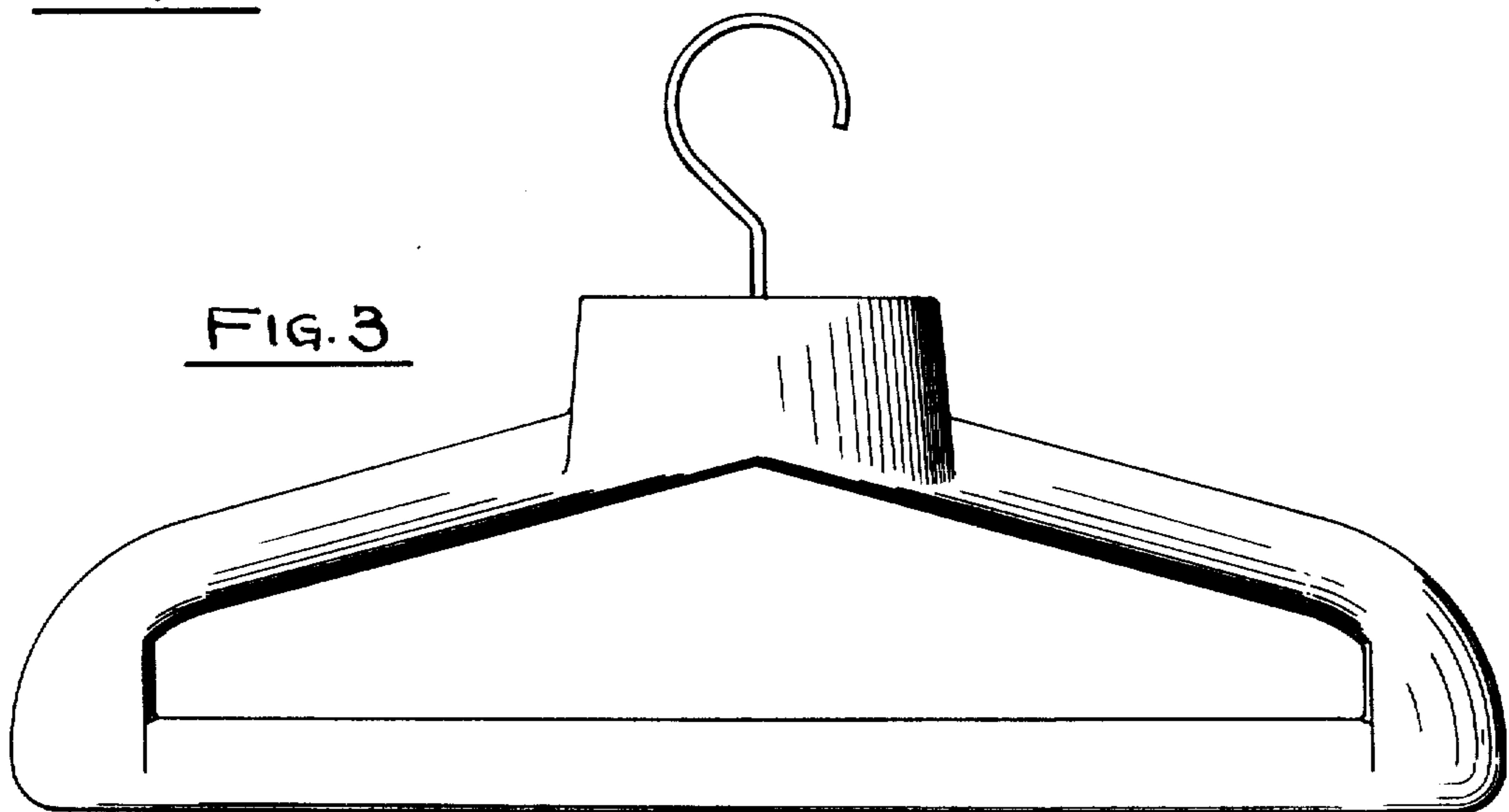


FIG. 3

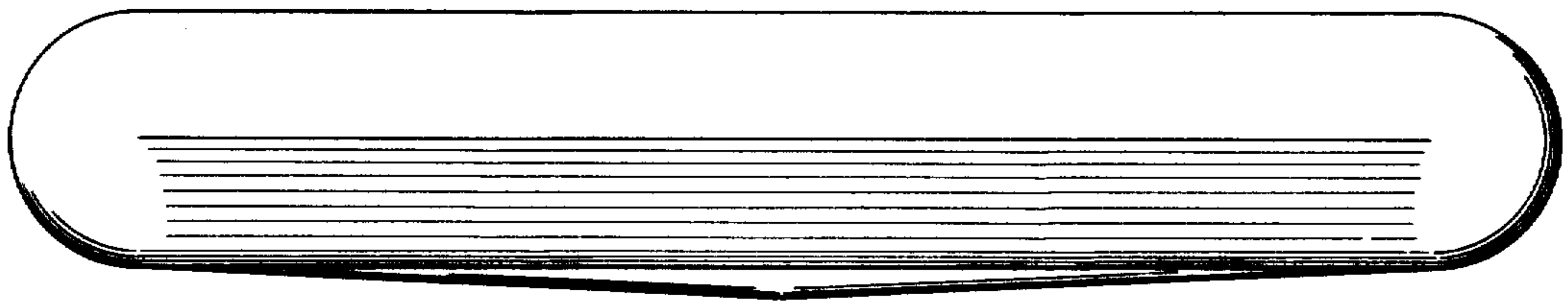


FIG. 4

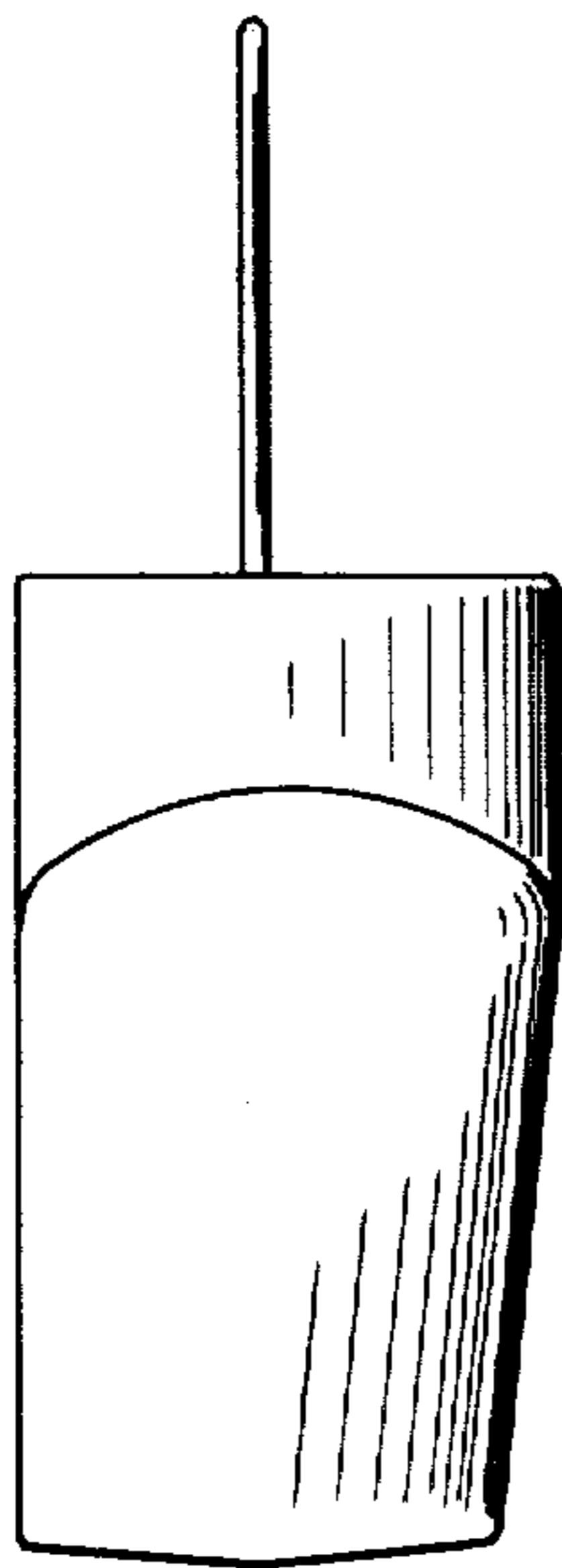


FIG. 5

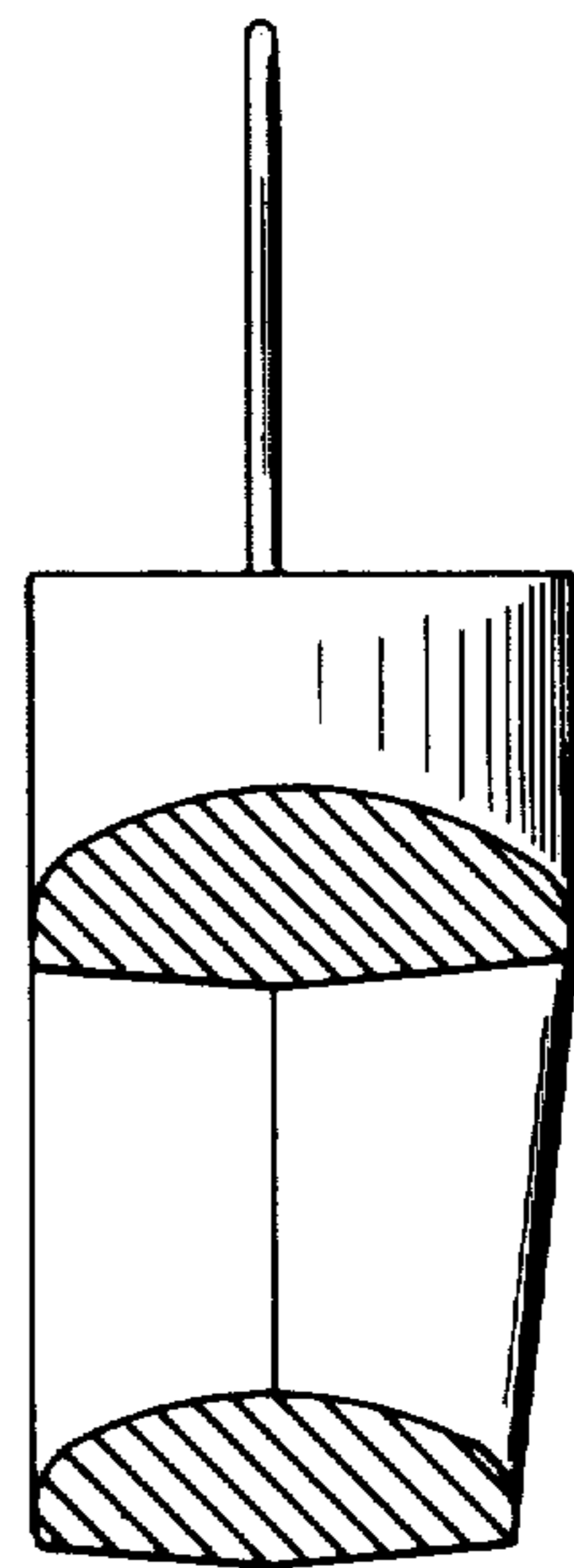


FIG. 6

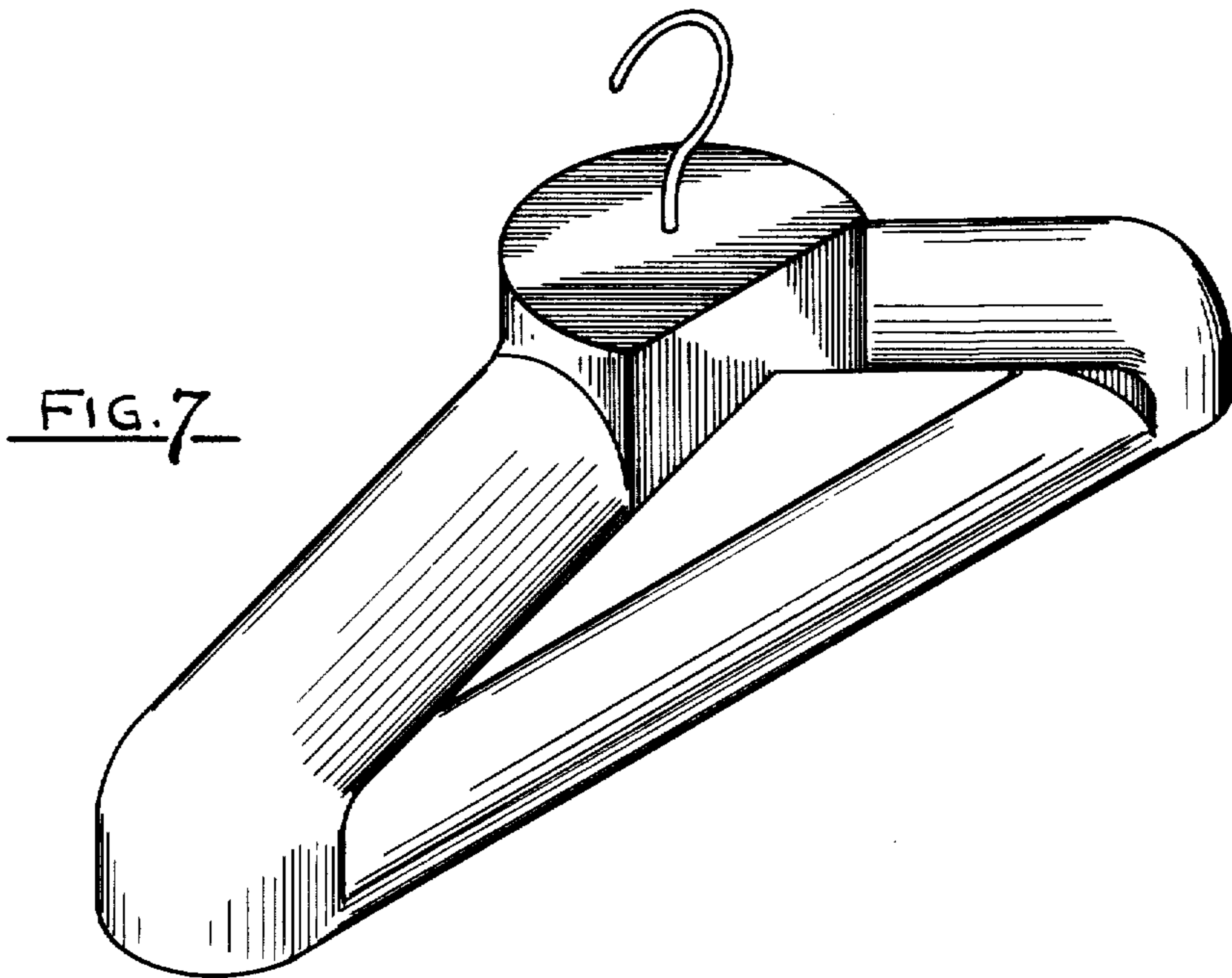


FIG. 7