

[54] **TOY HORIZONTAL BAR**
 [75] Inventor: **Osamu Takahashi**, Tokyo, Japan
 [73] Assignee: **Tomy Kogyo Co., Inc.**
 [**] Term: **14 Years**
 [21] Appl. No.: **593,236**
 [22] Filed: **July 7, 1975**
 [51] Int. Cl. **D21-01**
 [52] U.S. Cl. **D34/5 K**
 [58] Field of Search **D34/5 K; 272/109, 110, 272/111, 112, 114, 118, 119, 12 J, 134, 143**

[56] **References Cited**
U.S. PATENT DOCUMENTS

448,353	3/1891	Medart	272/63
775,718	11/1904	Bitter	272/63

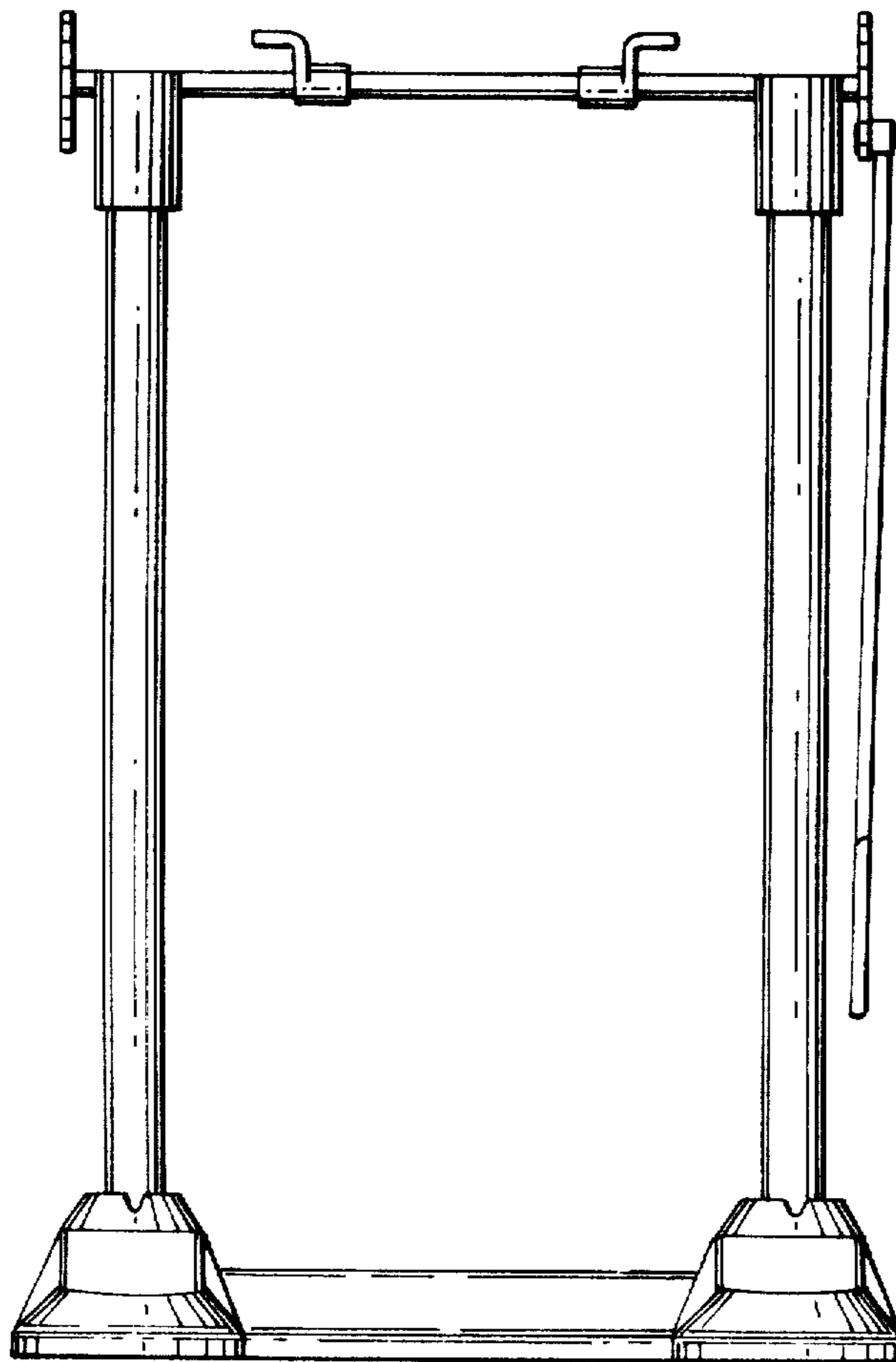
D. 237,812 11/1975 Kato D34/5 K
Primary Examiner—Joel Stearman
Assistant Examiner—C. A. Rademaker
Attorney, Agent, or Firm—James D. Halsey, Jr.

[57] **CLAIM**

The ornamental design for a physical exerciser, substan shown and described.

DESCRIPTION

FIG. 1 is a front elevational view of a toy horizontal bar showing my new design;
 FIG. 2 is a right side elevational view thereof;
 FIG. 3 is a top plan view thereof; and
 FIG. 4 is a left side elevational view thereof.
 The bottom surface of the platform member is plain and unornamented.



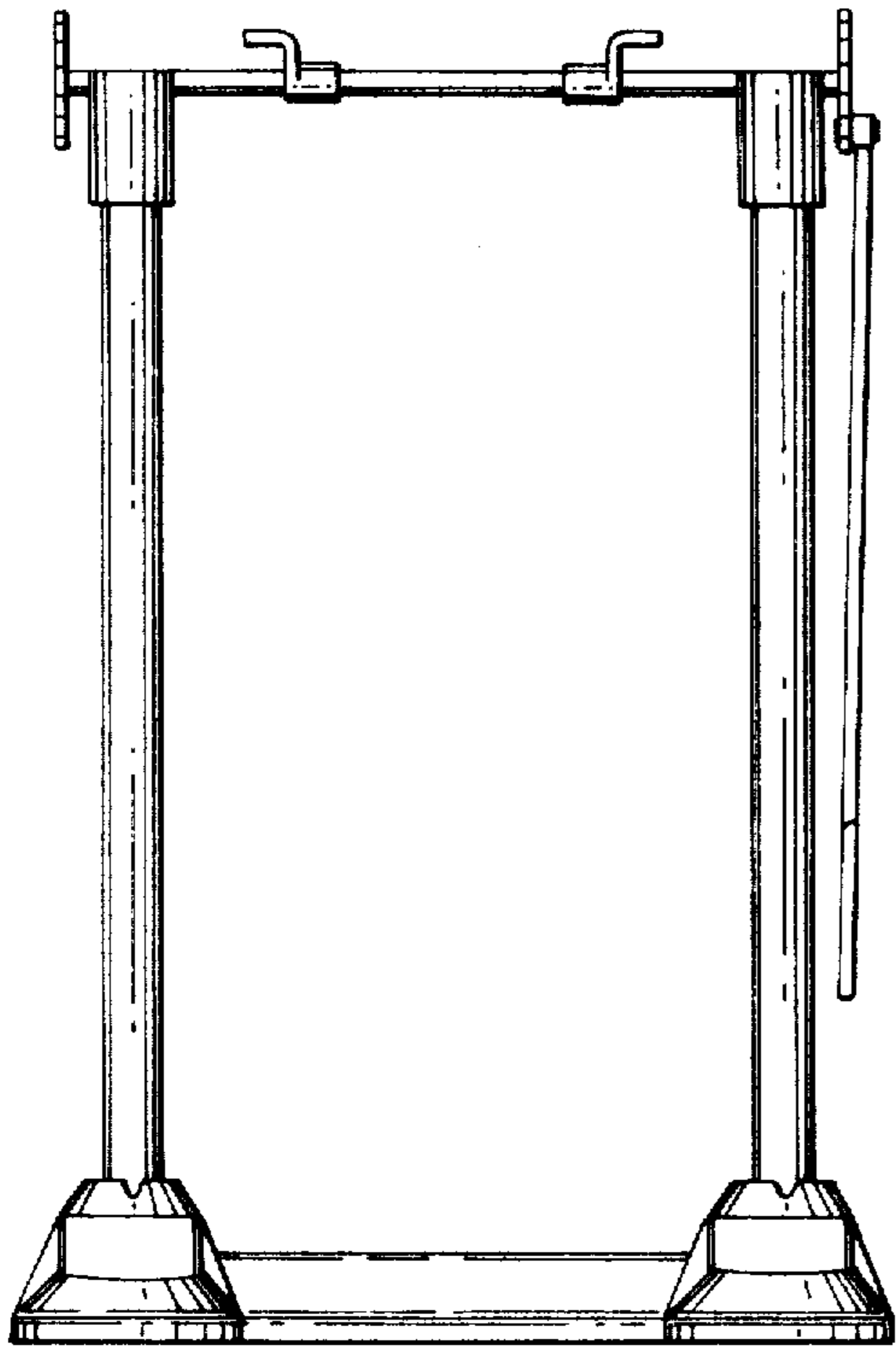


FIG. 1

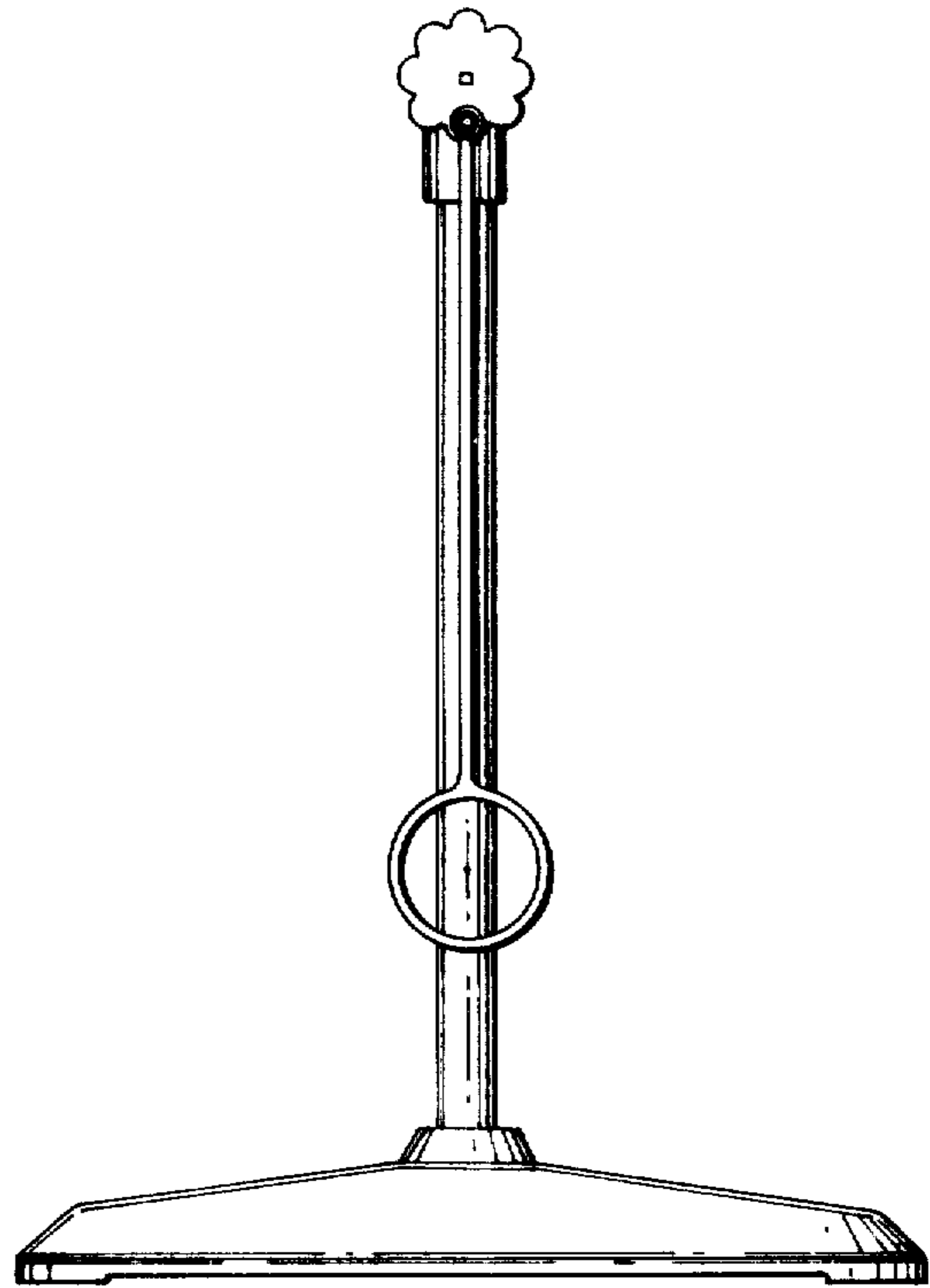


FIG. 2

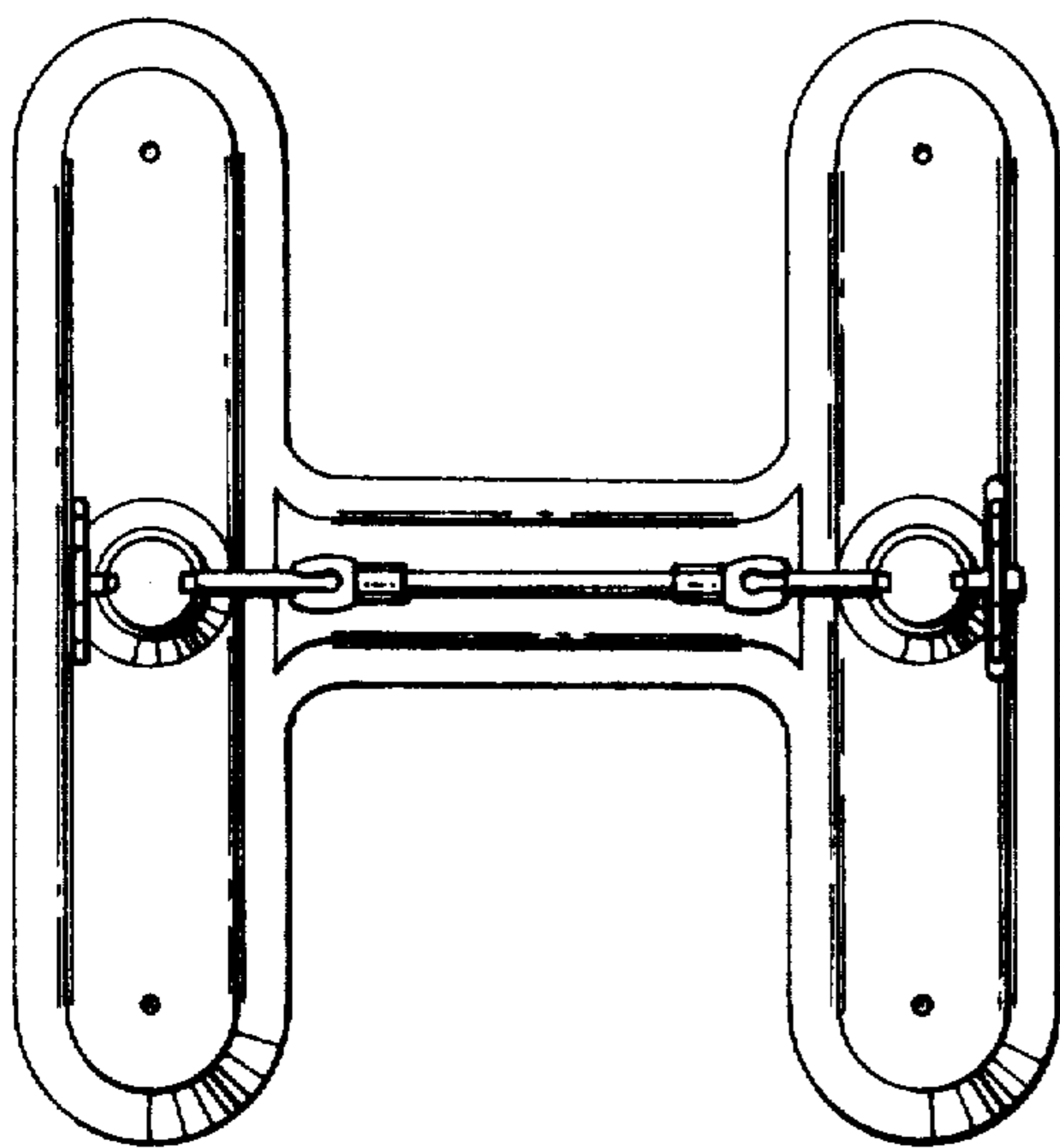


FIG. 3

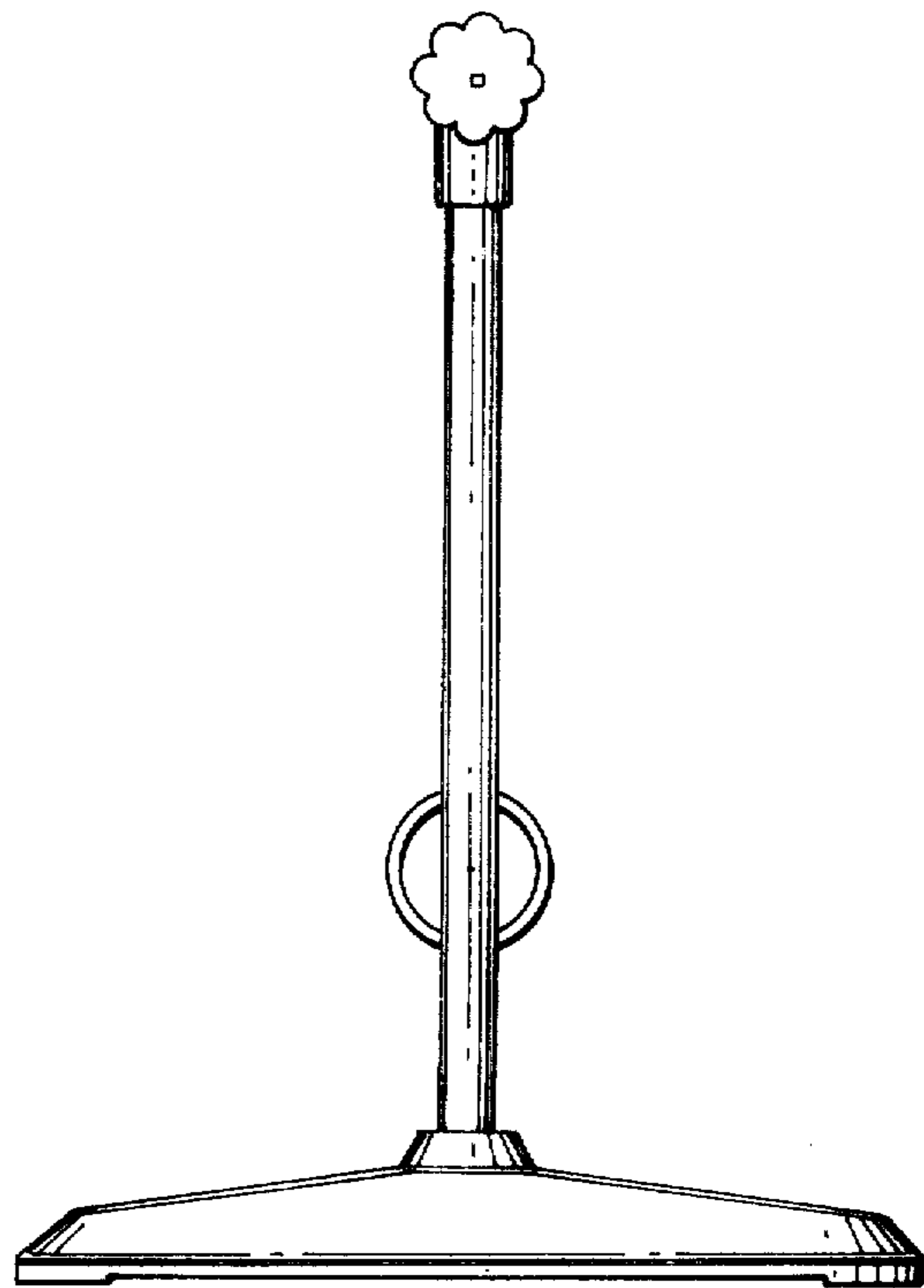


FIG. 4