

[54] **PHYSICAL EXERCISER**

[76] Inventor: **Jerry D. Brentham**, 102 Elm Drive, Belton, Tex. 76513

[**] Term: **14 Years**

[21] Appl. No.: **588,410**

[22] Filed: **June 19, 1975**

[51] Int. Cl. **D21-02**

[52] U.S. Cl. **D34/5 K**

[58] Field of Search **D34/5 K; 272/109, 110, 272/111, 112, 114, 118, 119, 125, 134, 143, 61-63**

D. 230,613 3/1974 Coker et al. **D34/5 K**

OTHER PUBLICATIONS

Marcy Catalog, 1970, p. 49, "Multi-Station Weight Training Machine."

Primary Examiner—Nelson C. Holtje

Assistant Examiner—C. A. Rademaker

Attorney, Agent, or Firm—Howard E. Moore

CLAIM

The ornamental design for a physical exerciser, substantially as shown.

References Cited

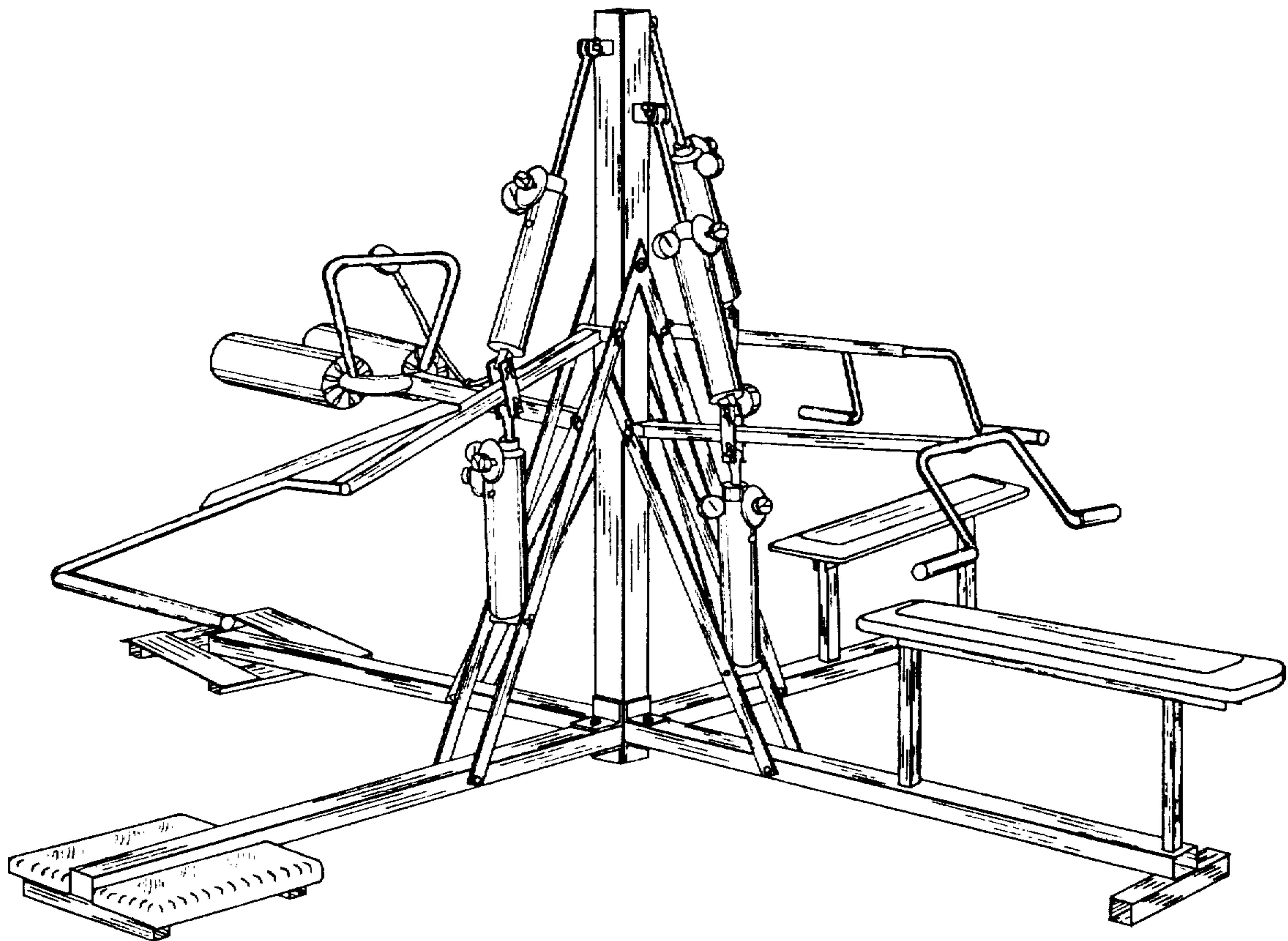
U.S. PATENT DOCUMENTS

3,640,528 2/1972 Proctor 272/118
D. 226,439 3/1973 Coker **D34/5 K**

DESCRIPTION

FIG. 1 is a front perspective view of physical exerciser showing my new design;

FIG. 2 is a side perspective view, thereof.



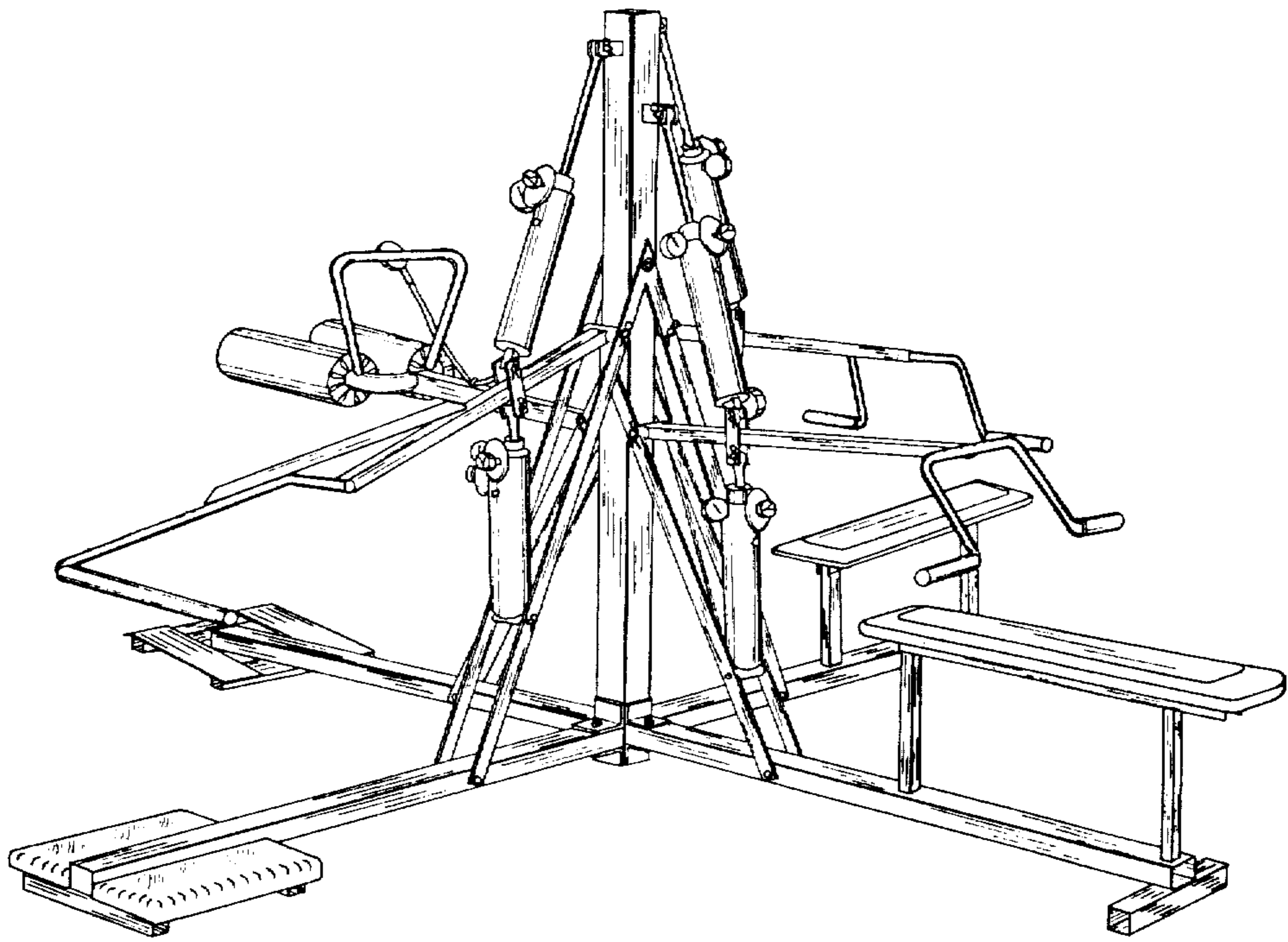


Fig. 1

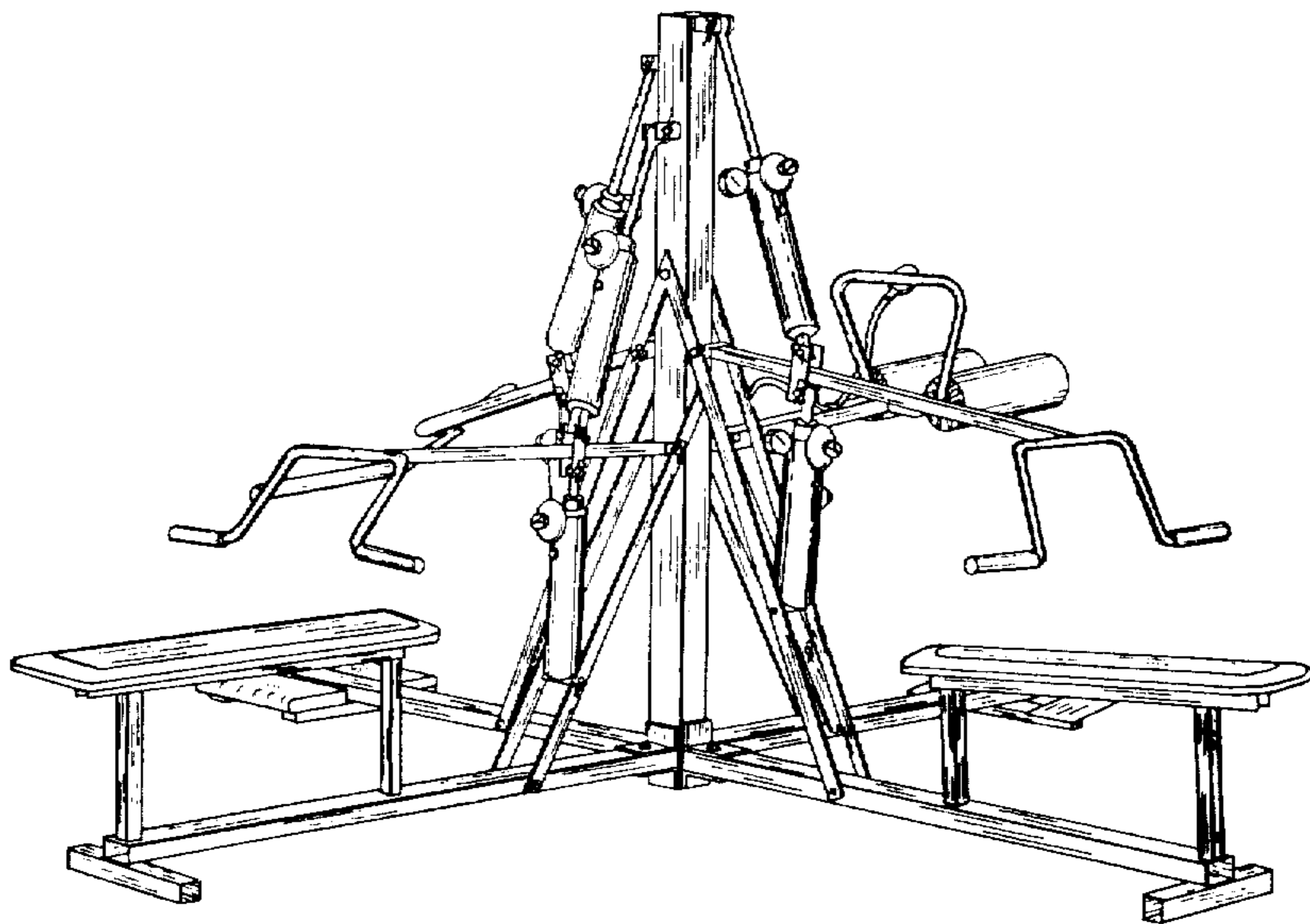


Fig. 2