

[54] **BICYCLE EXERCISE SUPPORT**  
 [76] Inventor: **Robert E. Taylor**, 23135 Samuel St., Apt. 10, Torrance, Calif. 90505  
 [\*\*] Term: **3½ Years**  
 [21] Appl. No.: **560,951**  
 [22] Filed: **Mar. 21, 1975**  
 [51] Int. Cl. .... **D21-02**  
 [52] U.S. Cl. .... **D34/5 K**  
 [58] Field of Search ..... **D34/5 K; D12/115;**  
                                   **272/57 R, 57 A, 65-68, 73, 76, 81, 83 R, 84;**  
                                   **273/128 R, 128 CS, 65 EC, 65 EG; 128/25 R;**  
   **35/11**

3,861,064 1/1975 Sturgeon et al. .... 35/11 R  
 3,871,648 3/1975 Maurer ..... 272/73  
 3,905,597 9/1975 Tabb ..... 272/73

*Primary Examiner*—Joel Stearman  
*Assistant Examiner*—C. A. Rademaker  
*Attorney, Agent, or Firm*—William C. Babcock

[57] **CLAIM**

The ornamental design for a bicycle exercise support, as shown and described.

**DESCRIPTION**

FIG. 1 is a front perspective view of a bicycle exercise support showing my new design;  
 FIG. 2 is a top plan view thereof;  
 FIG. 3 is a bottom plan view thereof;  
 FIG. 4 is a side elevational view thereof; and,  
 FIG. 5 is an end elevational view thereof.

[56] **References Cited**  
**U.S. PATENT DOCUMENTS**  
 581,835 5/1897 Sturgis ..... 272/73

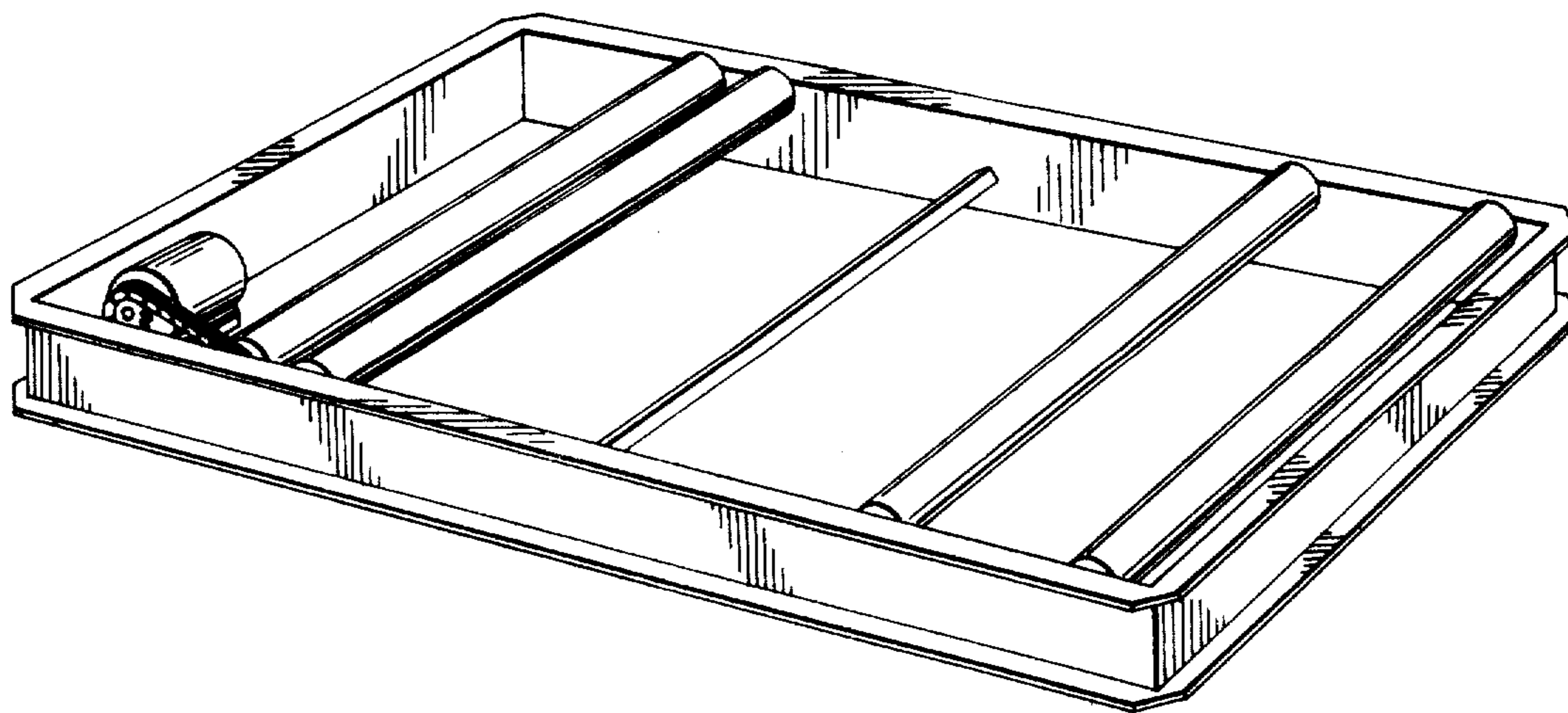


FIG. 1

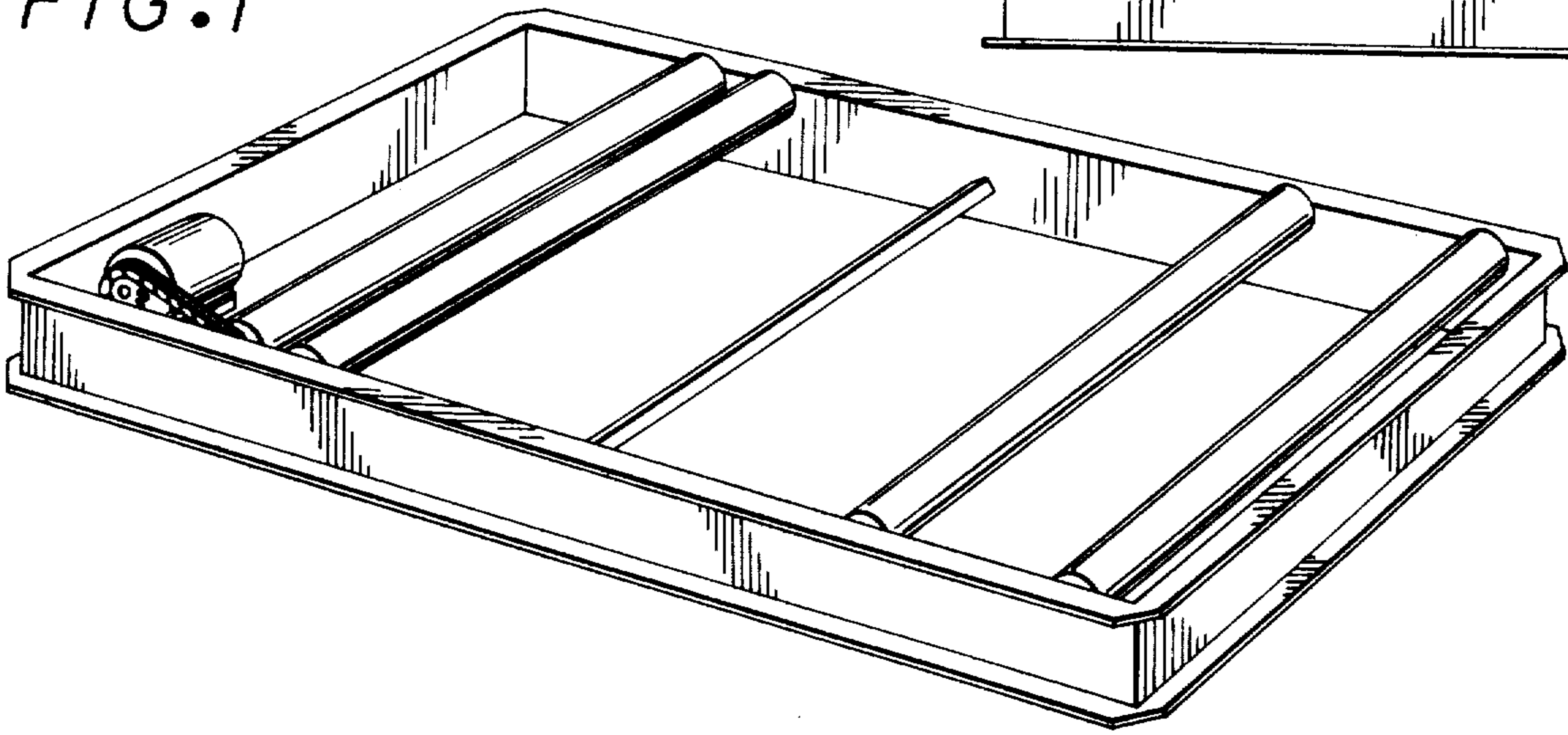


FIG. 5

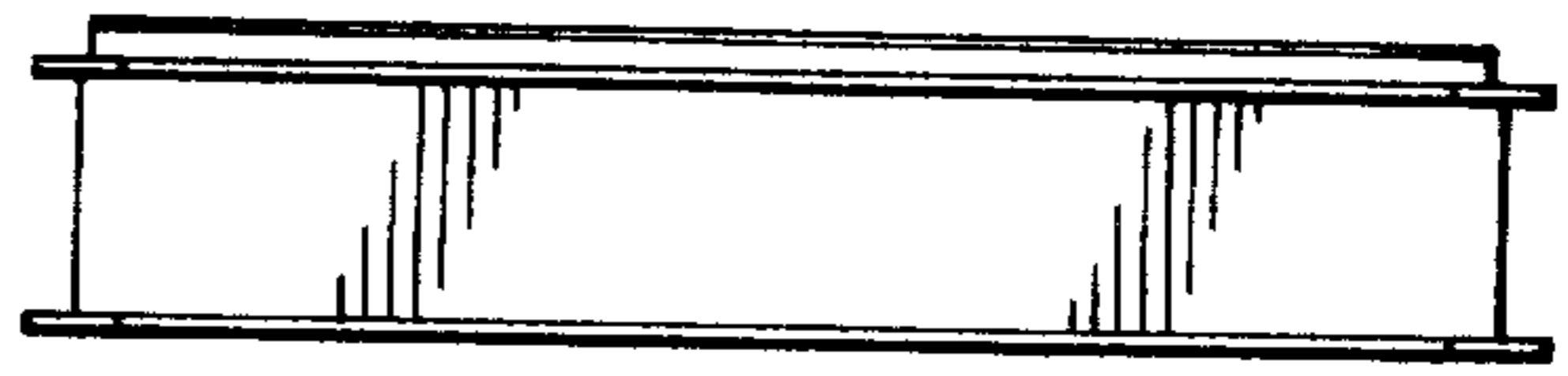


FIG. 2

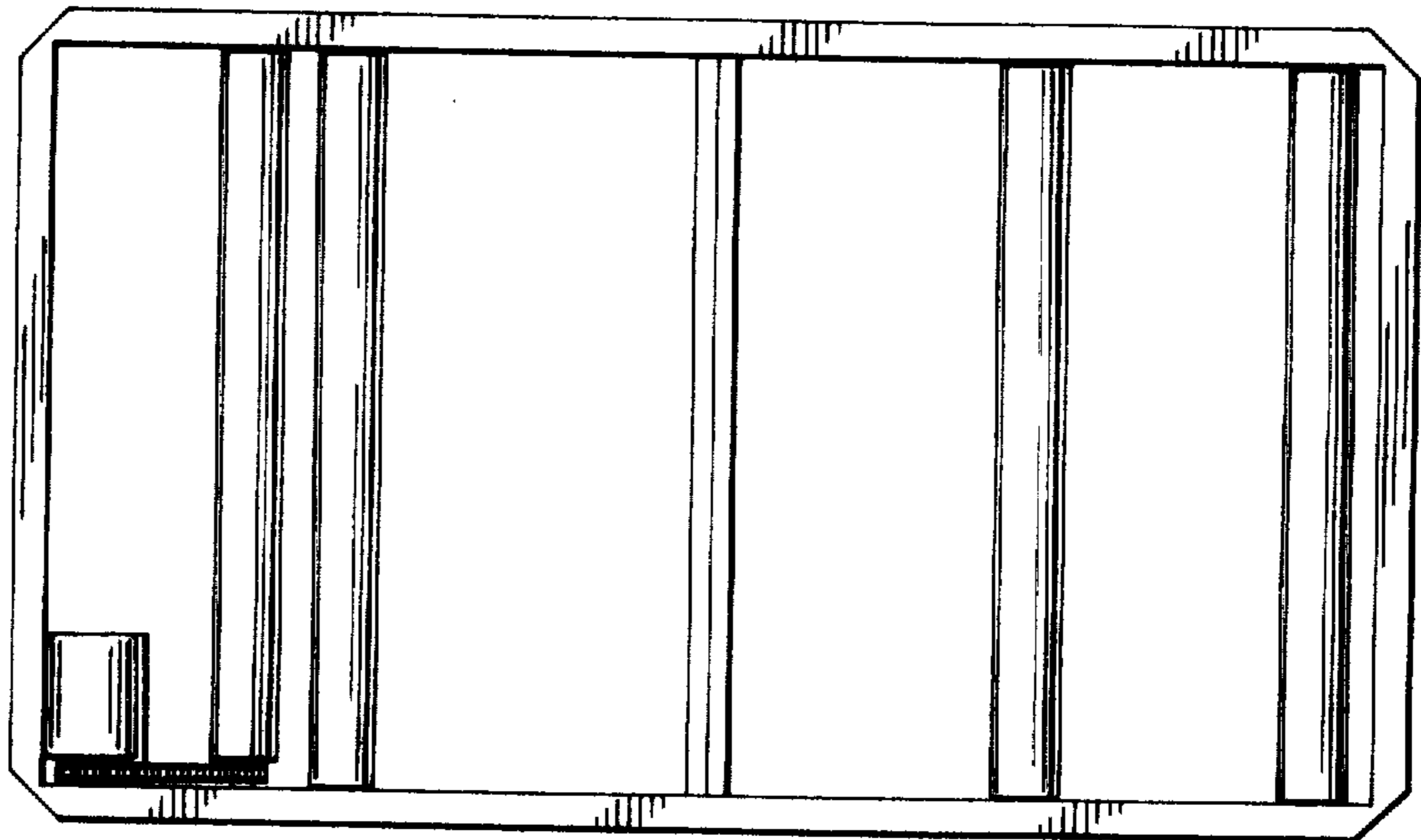


FIG. 3

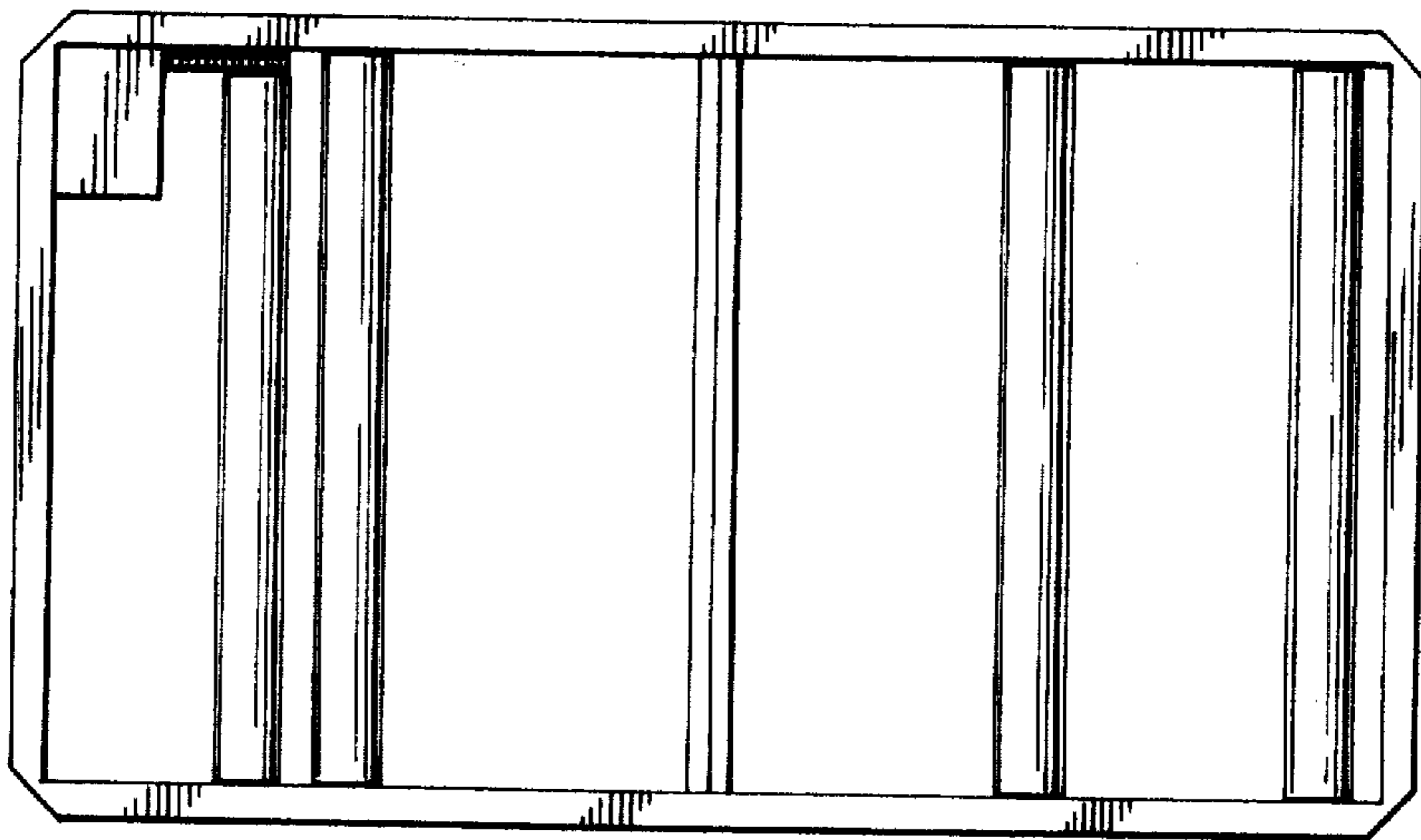


FIG. 4

