

[54] COMBINED ELECTRIC PLUG AND RECEPTACLE THEREFOR

[75] Inventor: Leonard T. Loforese, Greenwich, Conn.

[73] Assignee: Consolidated Foods Corporation, Chicago, Ill.

[**] Term: 14 Years

[21] Appl. No.: 583,886

[22] Filed: June 4, 1975

[51] Int. Cl. D13-03

[52] U.S. Cl. D26/1 B

[58] Field of Search D26/1 B; 339/28, 29 R, 339/102 R, 218 R, 218 M, 195 R, 195 A, 196 R, 196 A, 184 R, 184 M, 186 R, 186 M, 153, 154

[56] References Cited

U.S. PATENT DOCUMENTS

1,967,021	7/1934	Gary	339/184 R X
3,654,586	4/1972	Winkler	339/184 M
3,737,835	6/1973	Clement	339/45 R
3,824,524	7/1974	Glover	339/184 R X

FOREIGN PATENT DOCUMENTS

1,377,270 9/1964 France 339/186 R

OTHER PUBLICATIONS

Electrical Review, Aug. 26, 1949, p. 398 — Rubber Plug.

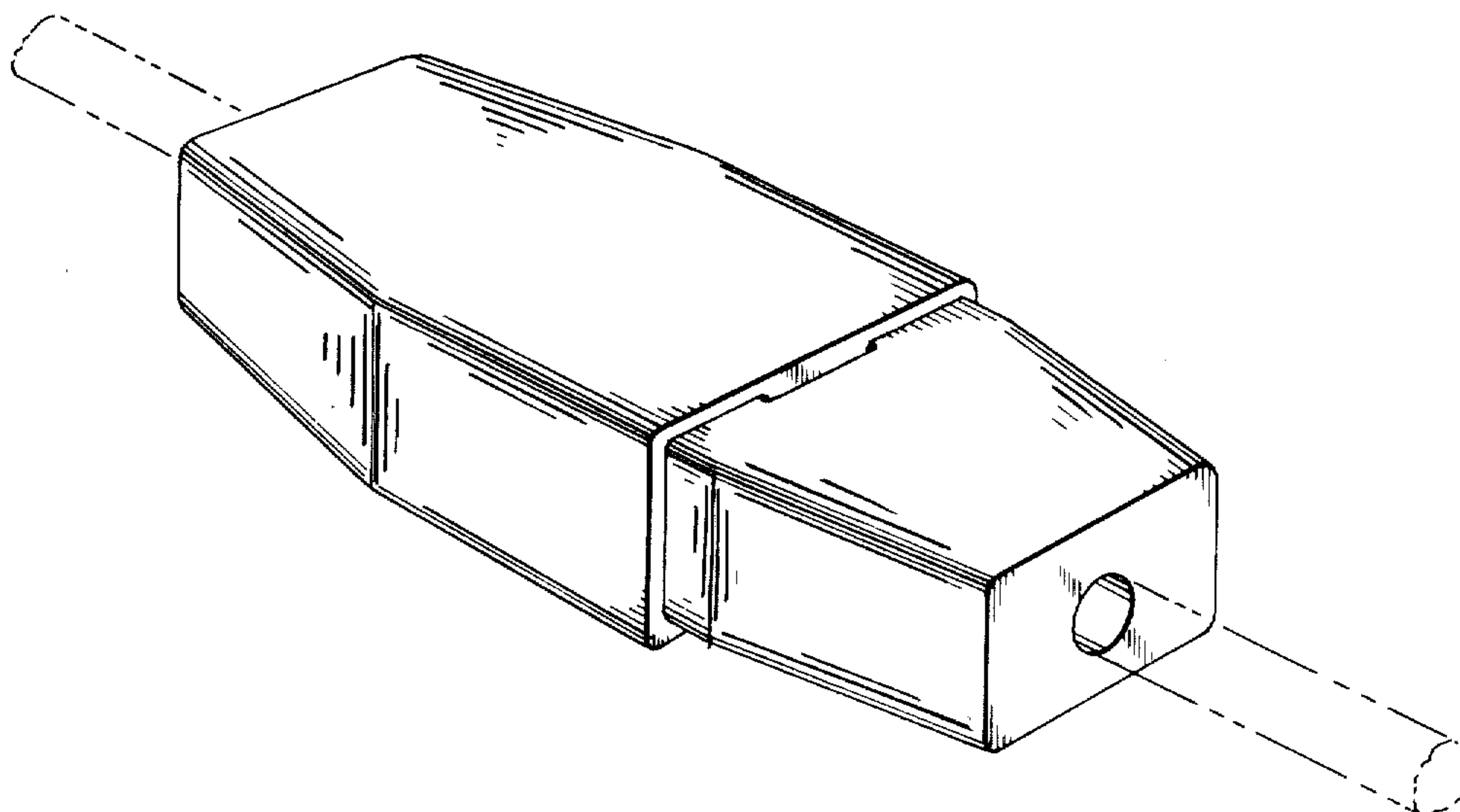
Primary Examiner—Susie J. Mercer
Attorney, Agent, or Firm—William S. Henry

[57] CLAIM

The ornamental design for a combined electric plug and receptacle therefor, as shown and described.

DESCRIPTION

FIG. 1 is a perspective view of a combined electric plug and receptacle therefor showing my new design; FIG. 2 is a perspective view of the electric plug; the receptacle being omitted for purposes of disclosure; FIG. 3 is a perspective view of the receptacle as seen from the front and top, the bottom of the receptacle being flat and unornamented. The plug is omitted for purposes of disclosure; and FIG. 4 is a bottom plan view of the plug, the receptacle being omitted for purposes of disclosure.



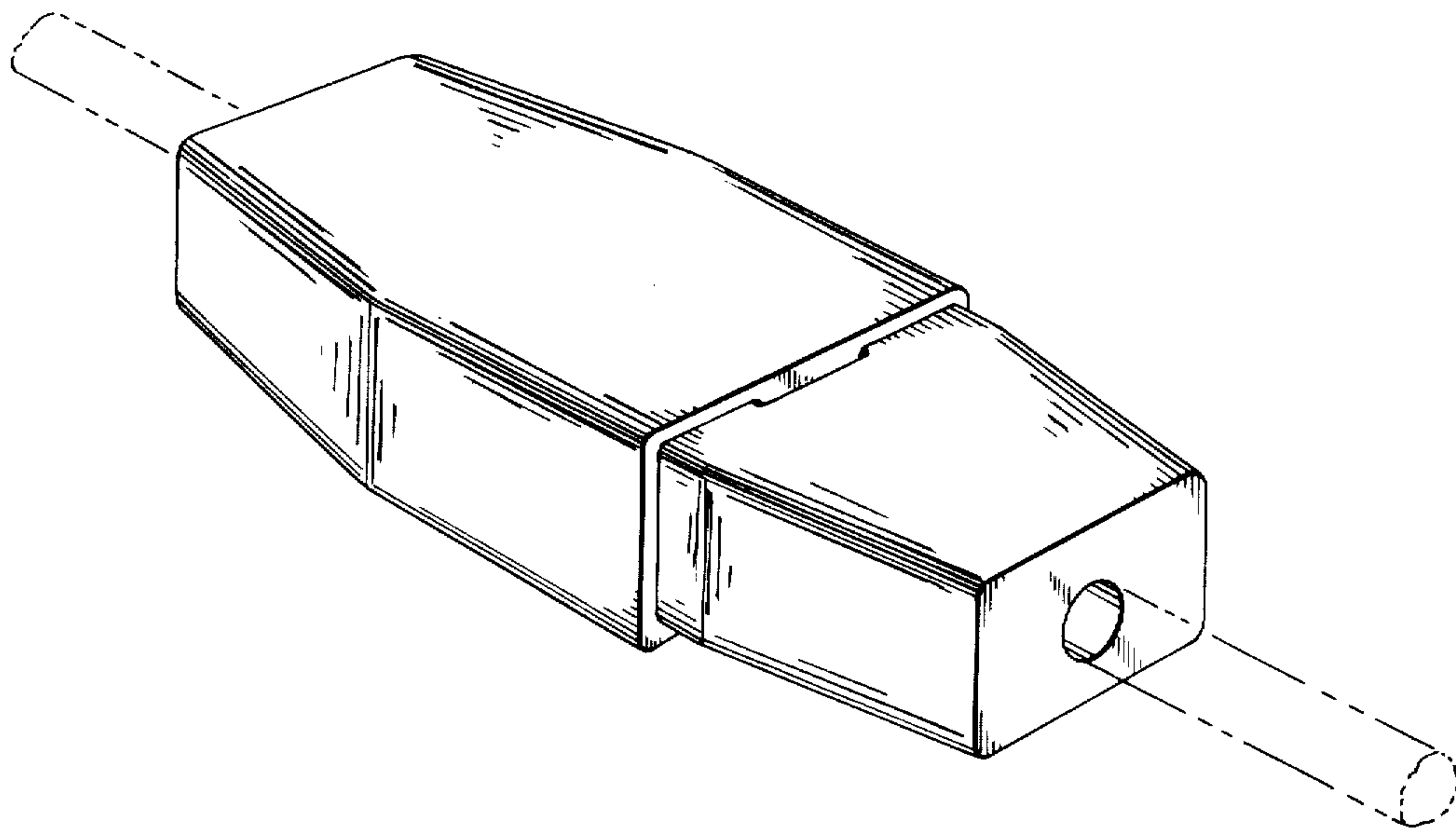


FIG. 1

FIG. 2

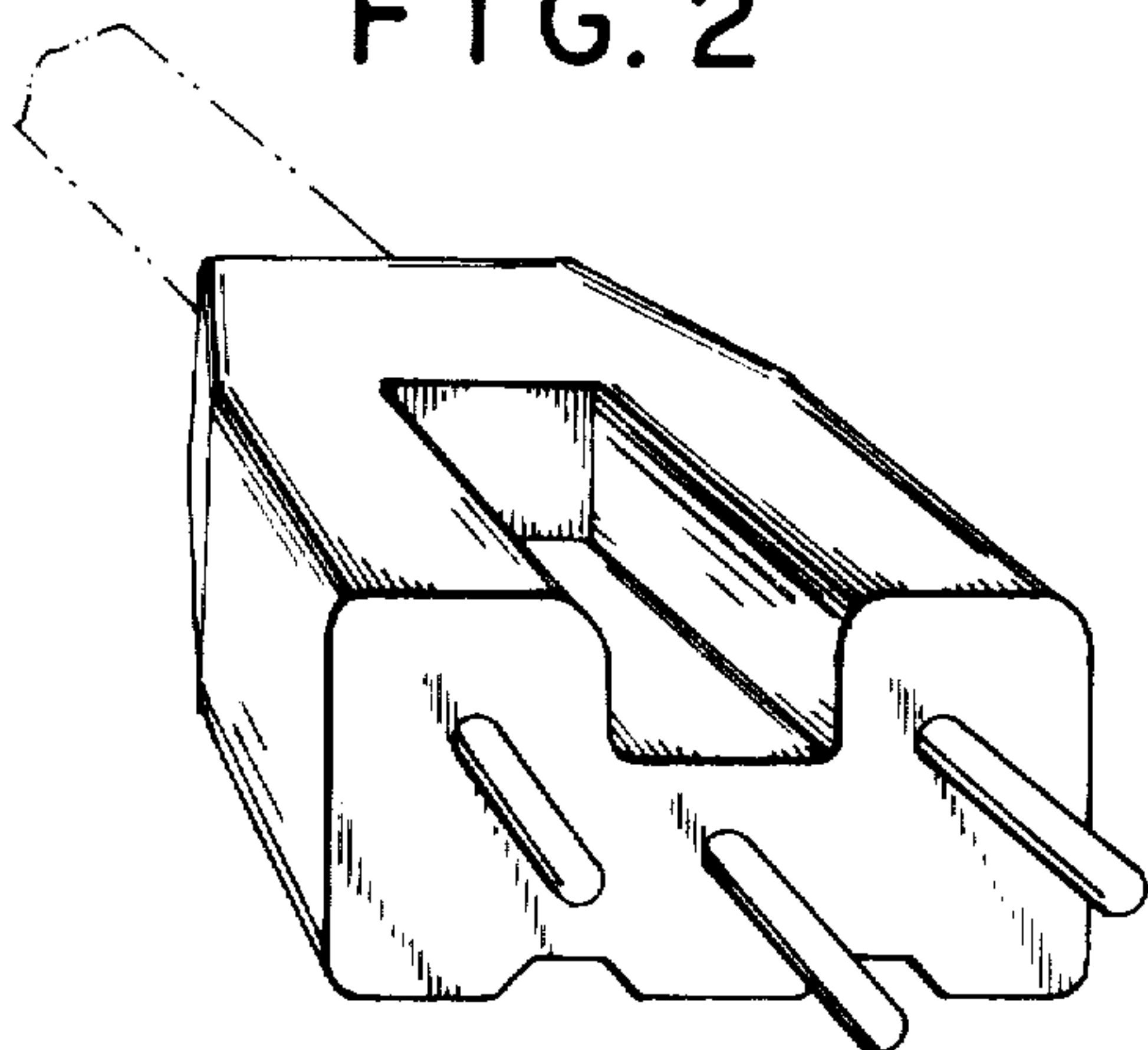


FIG. 3

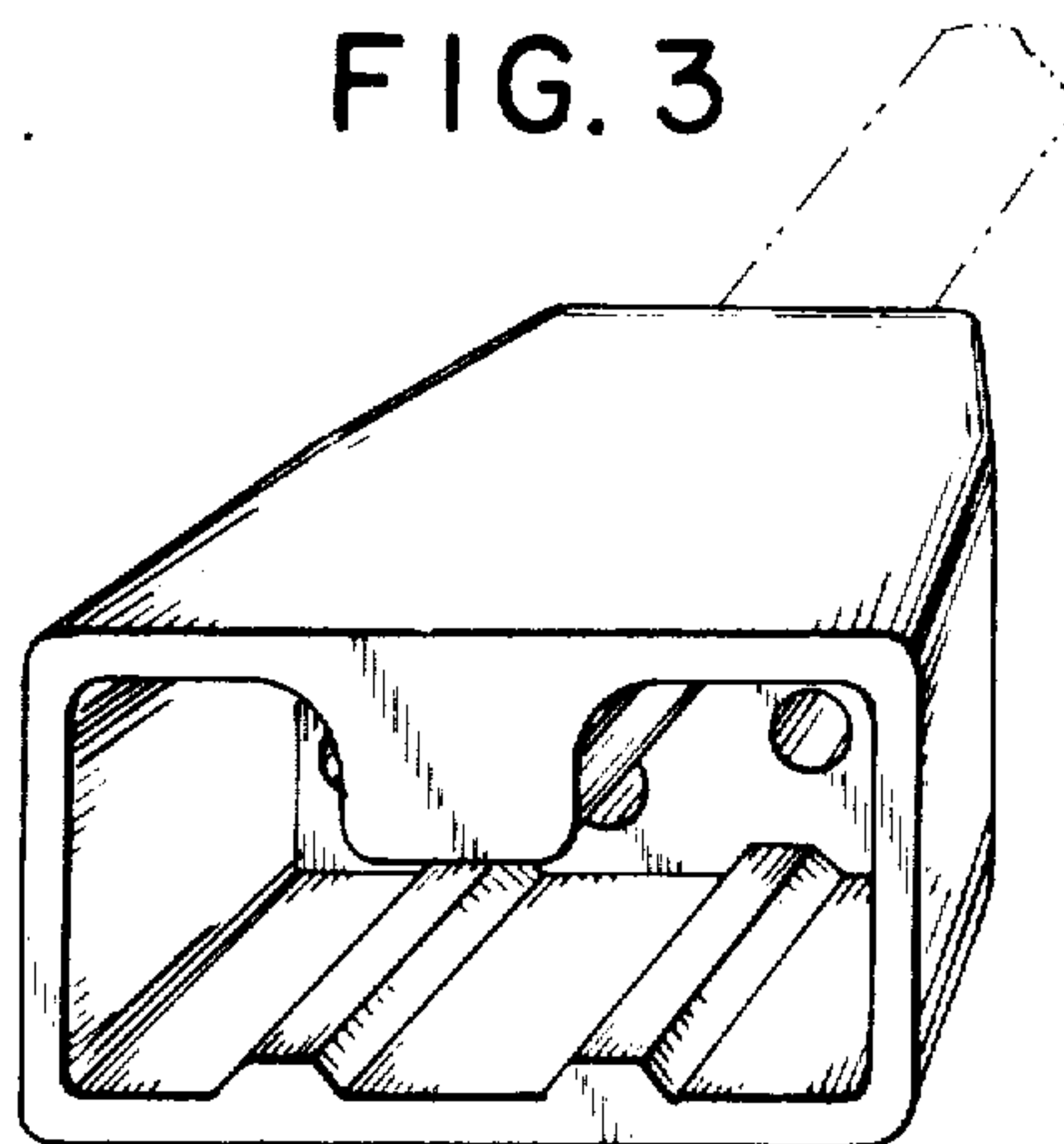


FIG. 4

