

[54] BUILDING STRUCTURE

[75] Inventor: Irwin R. Barr, Lutherville, Md.

[73] Assignee: AAI Corporation

[\*\*] Term: 14 Years

[21] Appl. No.: 562,757

[22] Filed: Mar. 27, 1975

[51] Int. Cl. .... D25-03

[52] U.S. Cl. .... D25/21

[58] Field of Search ..... D13/1 R, 1 A, 1 B, 1 E; 52/63, 80, 82; 126/270 R, 270 G, 270 H, 271; 165/48

[56] References Cited

U.S. PATENT DOCUMENTS

3,009,391	11/1961	Zagieboylo et al. ....	126/270 H
3,134,906	5/1964	Henker .....	126/270 H
3,254,643	6/1966	Thomason .....	D13/1 A
3,469,902	9/1969	Mertz .....	126/270 H

OTHER PUBLICATIONS

National Geographic, Mar. 1976, p. 384.

Primary Examiner—A. Hugo Word  
Attorney, Agent, or Firm—Reginald F. Pippin, Jr.

[57] CLAIM

The ornamental design for a building structure, substantially as shown.

DESCRIPTION

FIG. 1 is a view in perspective of a building structure according to my invention, and representing a view of what may form the front/side, or rear/side, or vice versa, of such building structure, but which for ease of description will be designated as a front/side view.

FIG. 2 is a rear view in perspective, taken in the opposite direction from FIG. 1.

FIG. 3 is a front elevation view of the building structure of FIG. 1, according to the illustrative convention adopted for FIG. 1.

FIG. 4 is a plan view of the building structure of FIG. 1.

FIG. 5 is a rear elevation view of the building structure of FIG. 1.

FIG. 6 is a side elevation view of the building structure of FIG. 1.

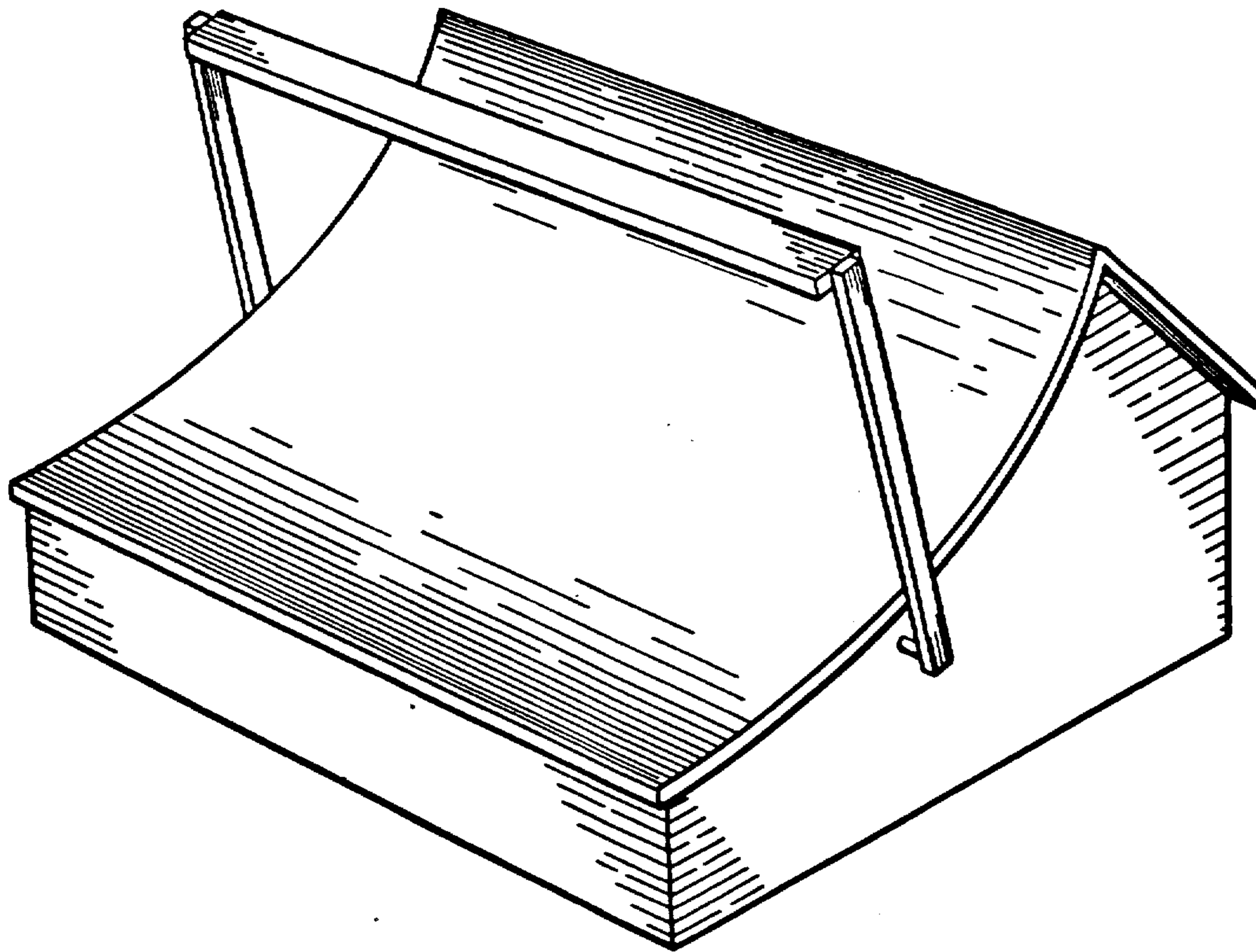


FIG. 1

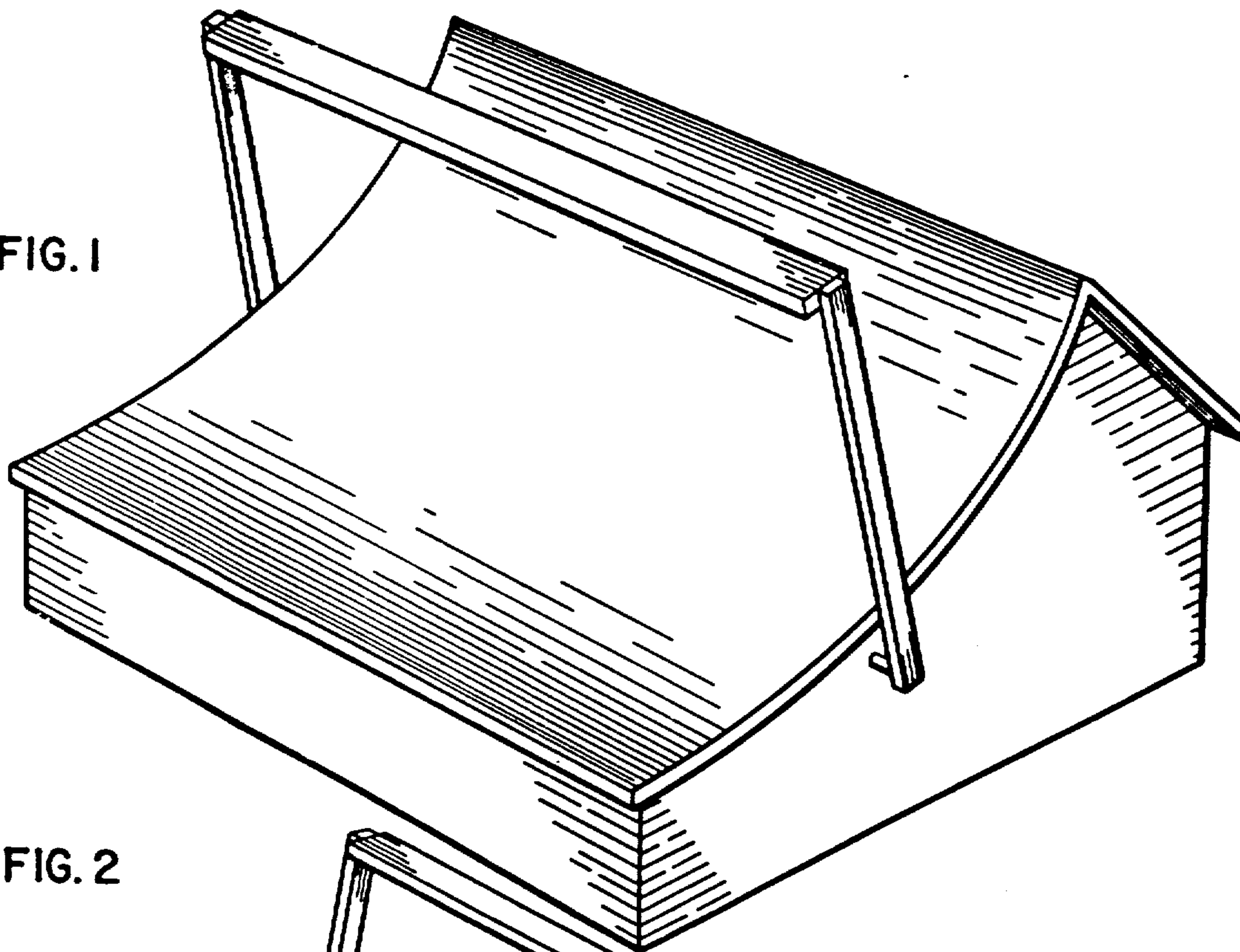


FIG. 2

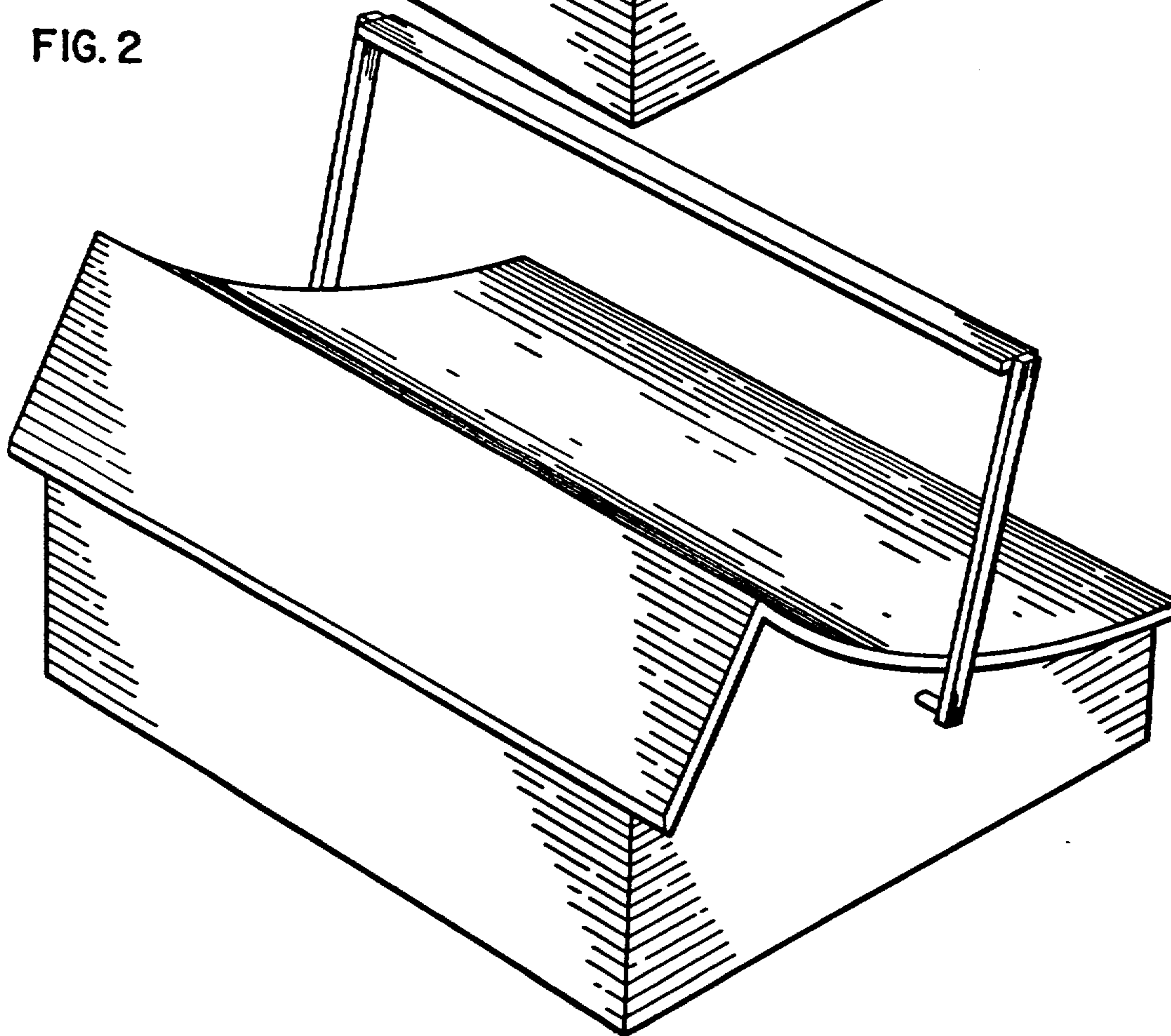


FIG. 3

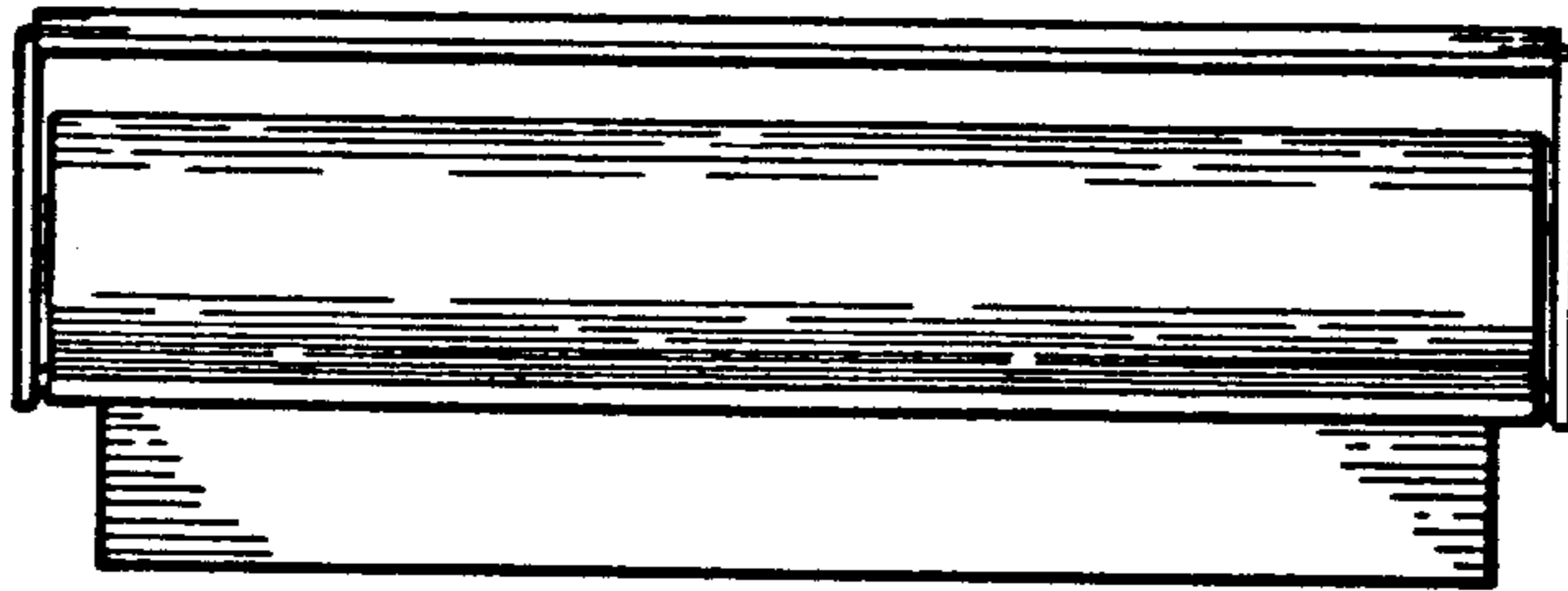


FIG. 4

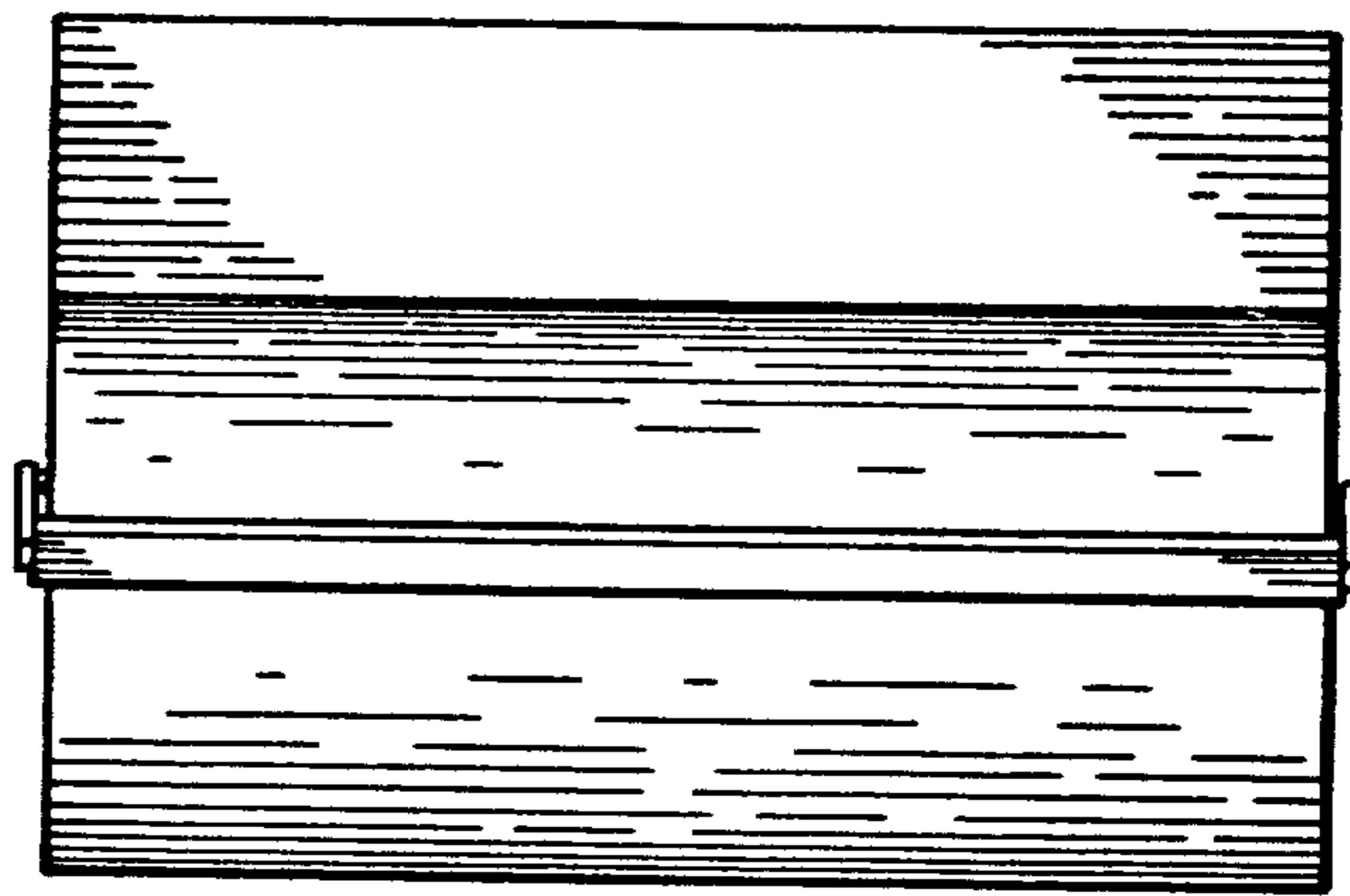


FIG. 5

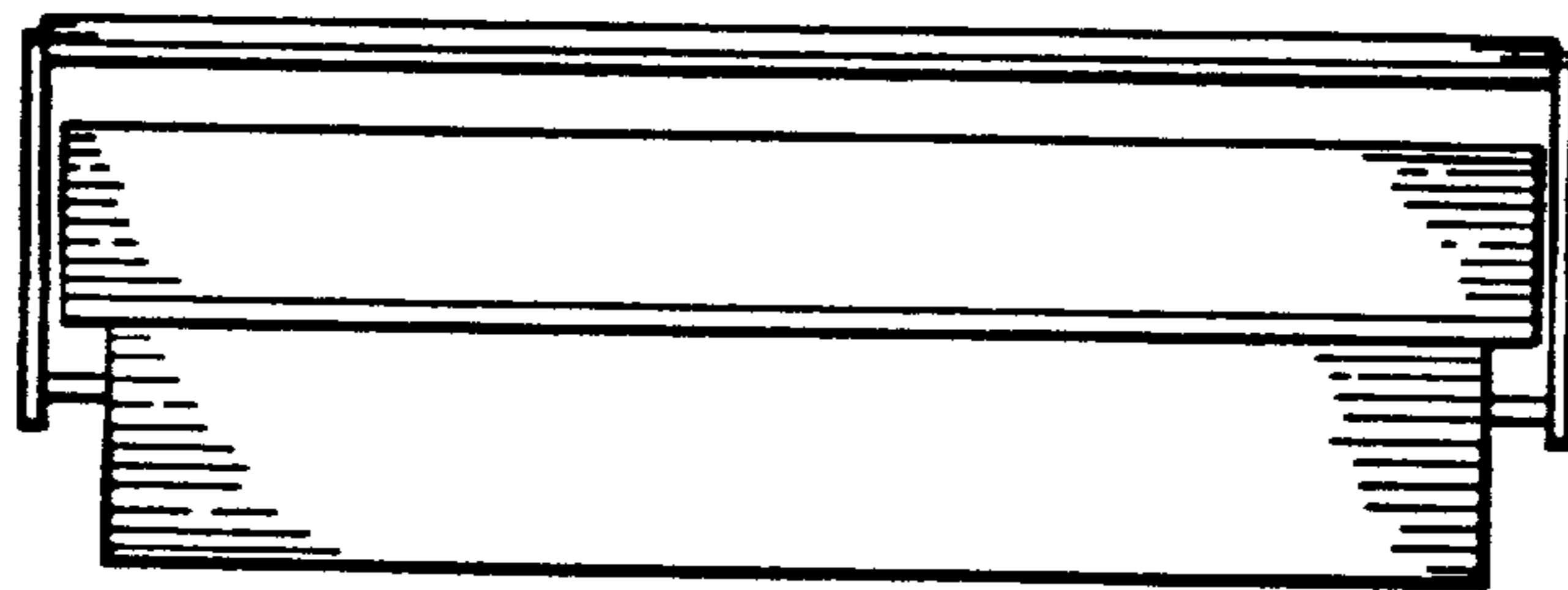


FIG. 6

