

[54] **ADJUSTABLE PRESSURE RELIEF VALVE**

[76] Inventor: **Ralph W. Schourup**, 3950 N. Rio Hondo Ave., Rosemead, Calif. 91770

[**] Term: **14 Years**

[21] Appl. No.: **611,068**

[22] Filed: **Sept. 8, 1975**

[51] Int. Cl. **D23-01**

[52] U.S. Cl. **D23/19**

[58] Field of Search **D23/19-22;**
137/469, 472, 540, 543.21

[56] **References Cited**

U.S. PATENT DOCUMENTS

432,140	7/1890	Kilborn	137/469
2,166,742	7/1939	Lambert	137/469 X
2,254,209	9/1941	Buttner et al.	137/540
2,601,563	6/1952	Selwyn	137/540
2,666,448	1/1954	Garretson et al.	137/540

2,674,260	4/1954	Thrush	137/469
2,697,915	12/1954	Chisholm	137/543.21 X
2,931,385	4/1960	Carlisle et al.	137/540
3,702,141	11/1972	Wetterhorn	137/469

Primary Examiner—James R. Largen
Attorney, Agent, or Firm—Harold C. Weston

[57] **CLAIM**

The ornamental design for an adjustable pressure relief valve, as shown and described.

DESCRIPTION

FIG. 1 is a perspective view of an adjustable pressure relief valve showing my new design; FIG. 2 is an elevational view taken from one side thereof, the opposite side being a mirror image of the side shown; FIG. 3 is a front elevational view thereof; FIG. 4 is a rear elevational view thereof; FIG. 5 is a bottom plan view thereof; and FIG. 6 is a top plan view thereof.

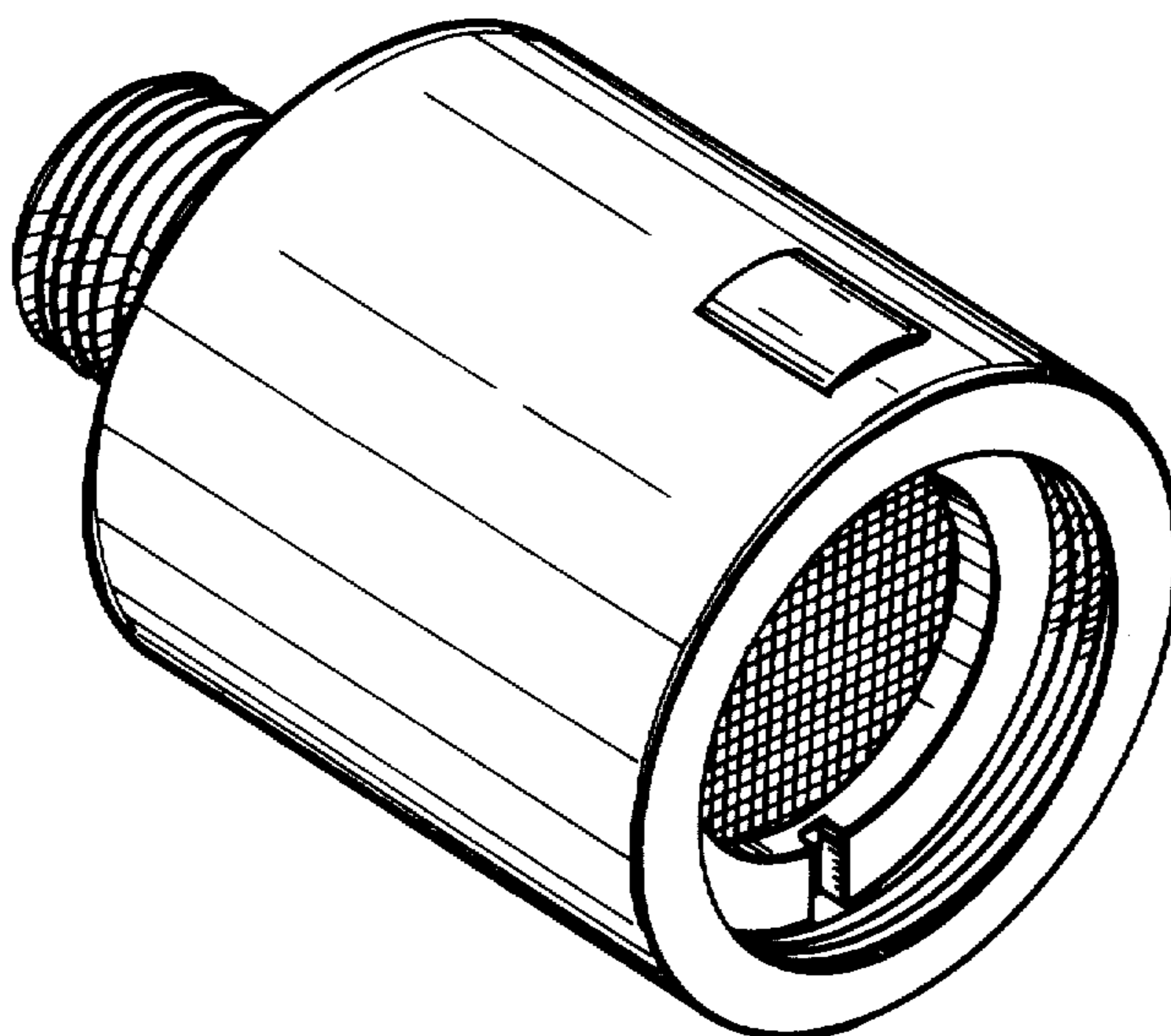


FIG. 1

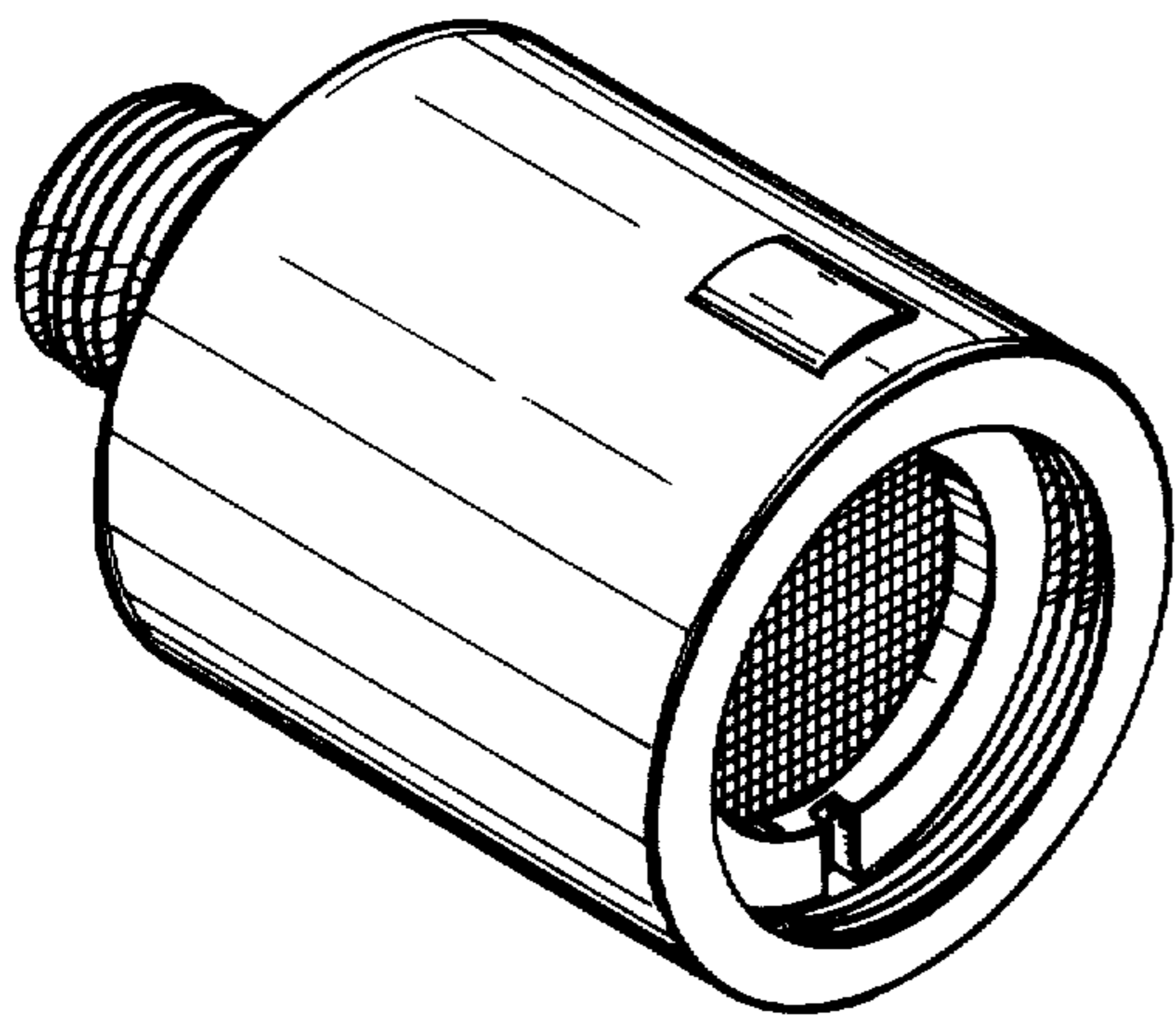


FIG. 4

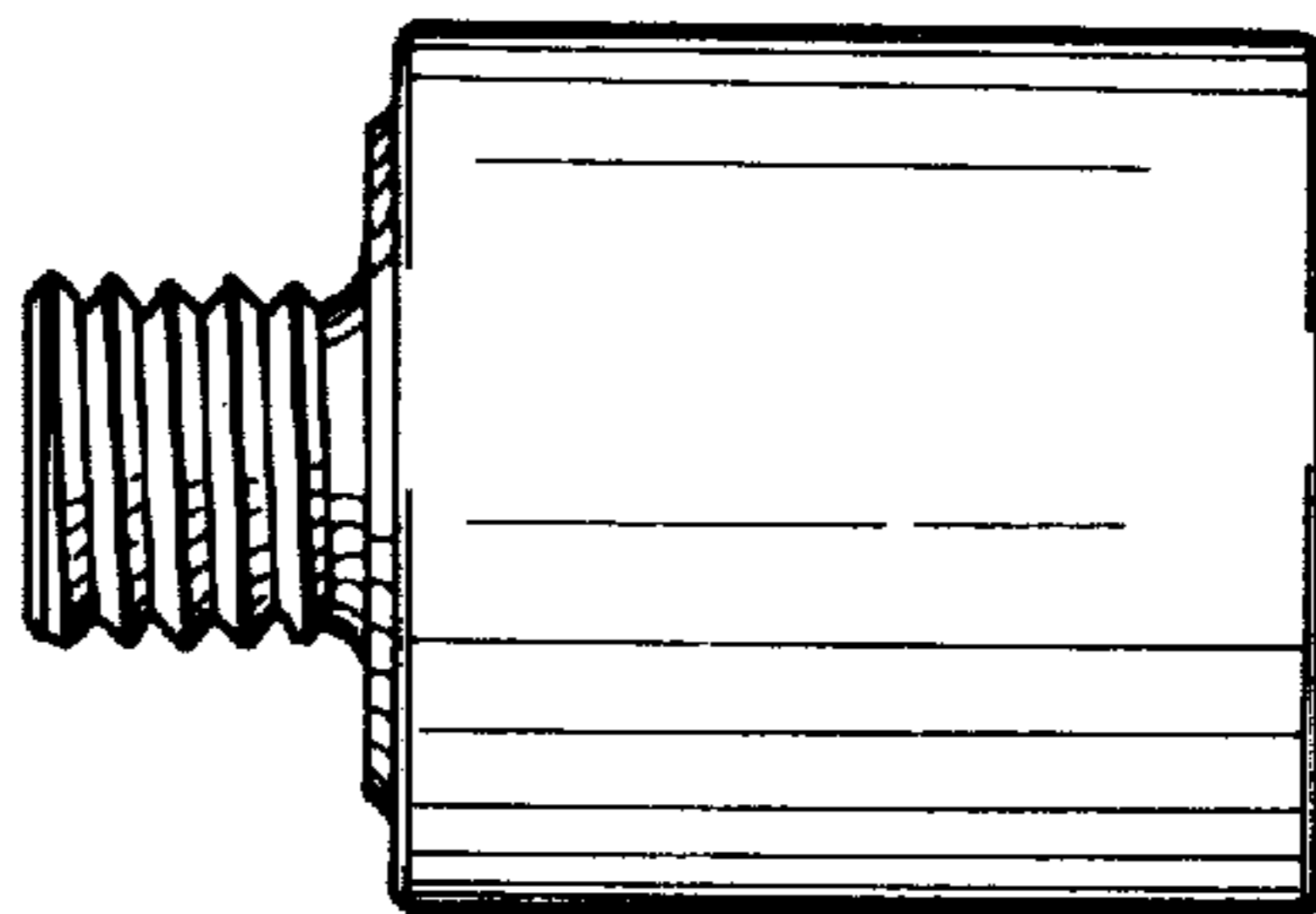


FIG. 2

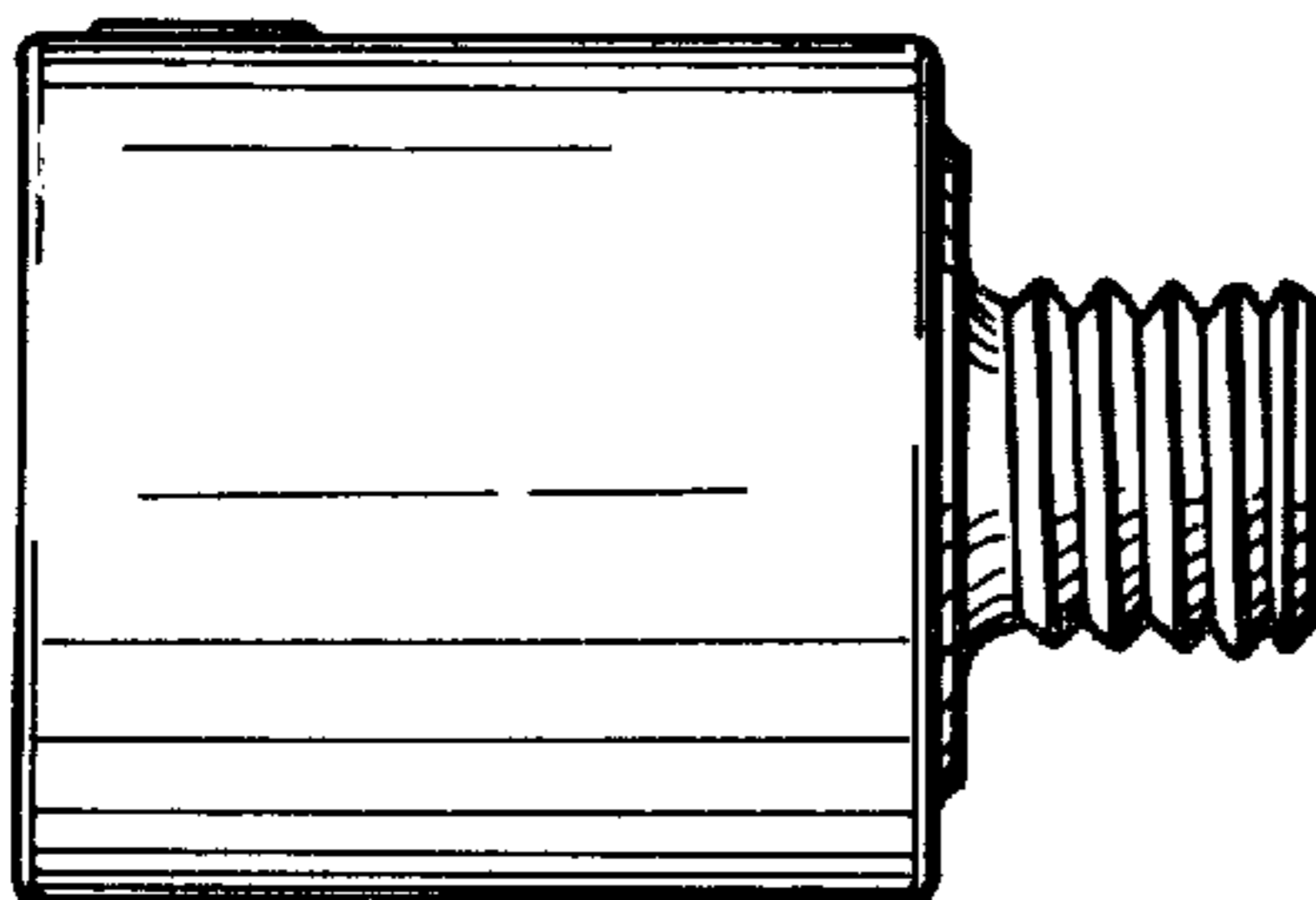


FIG. 5

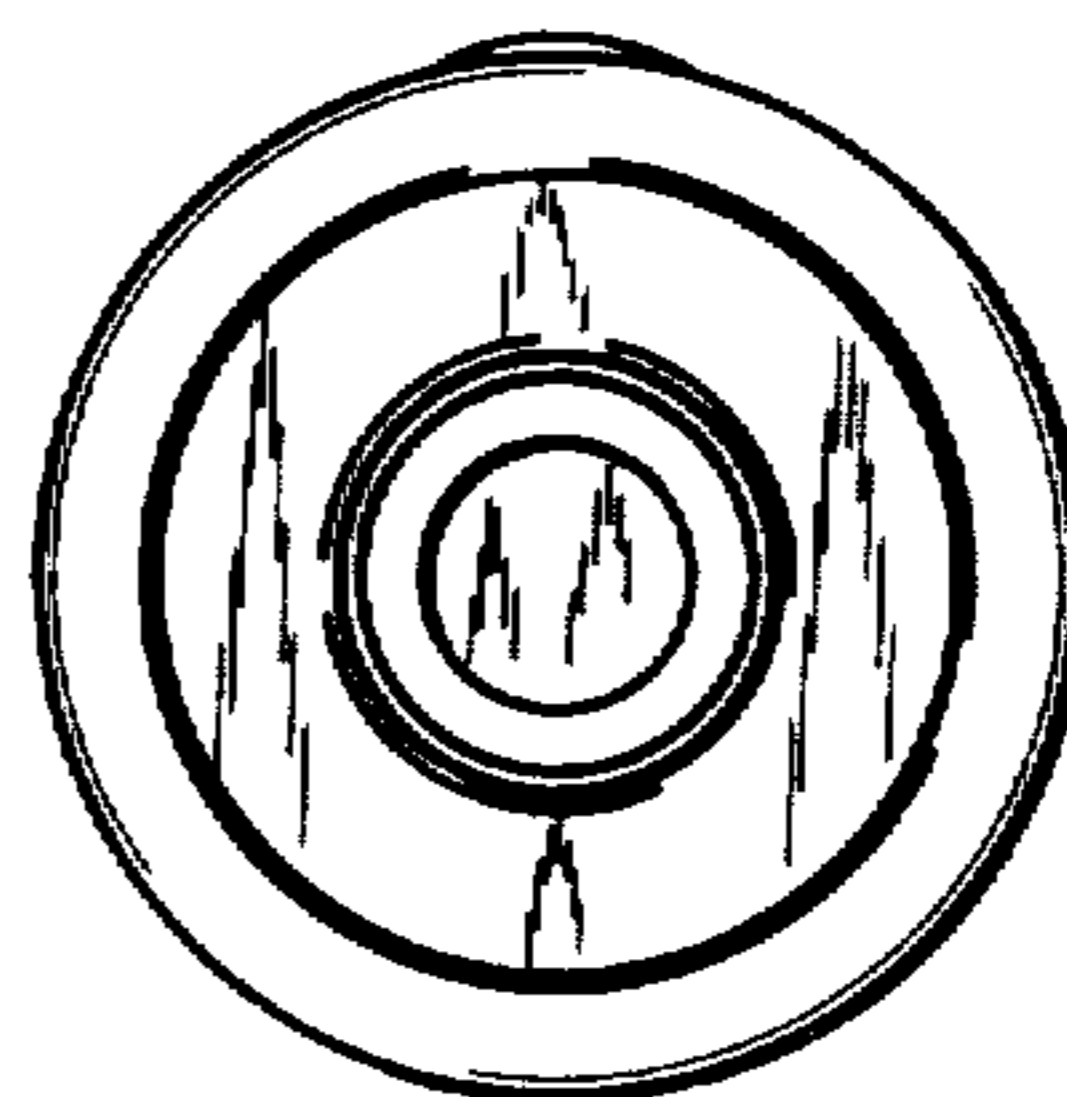


FIG. 3

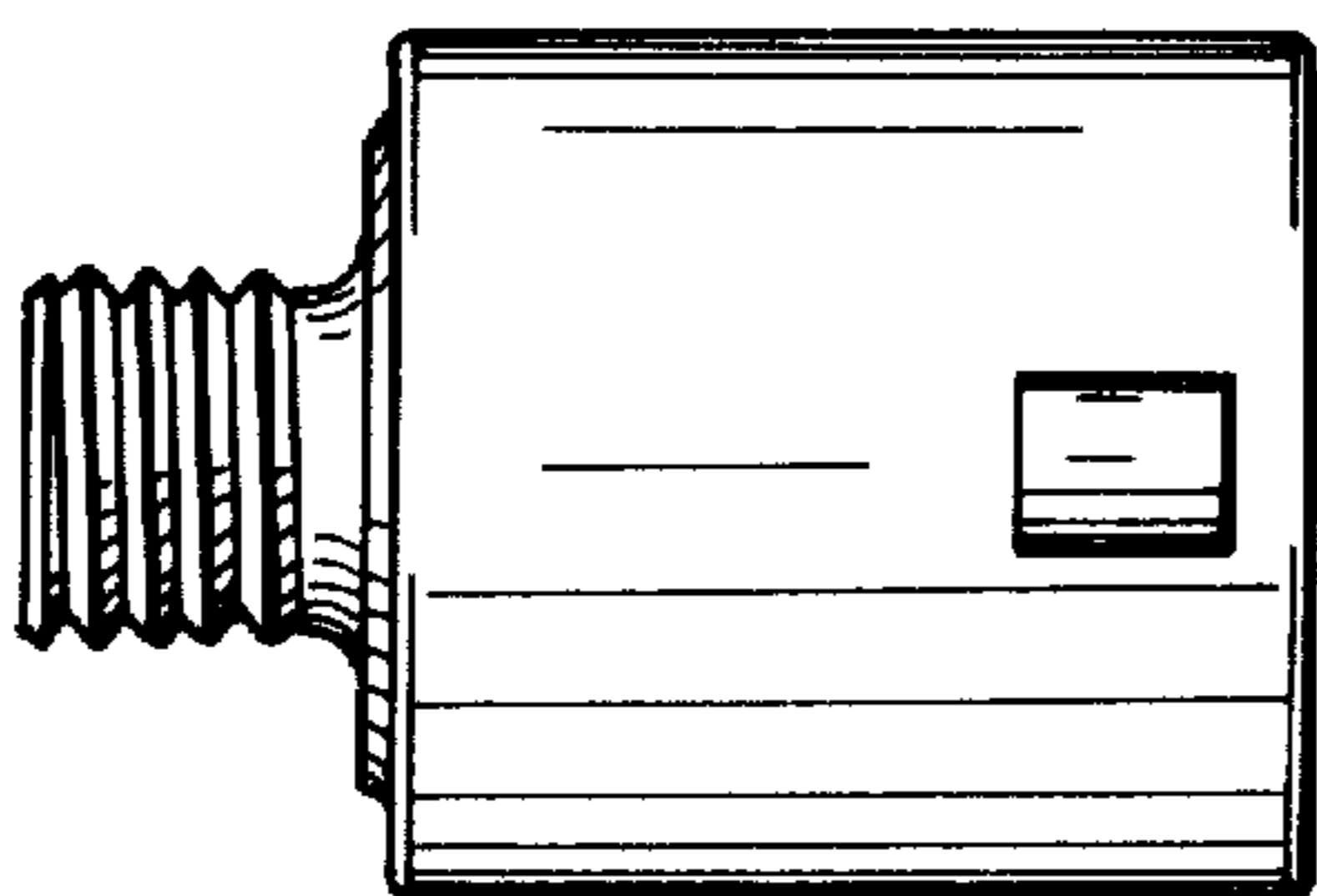


FIG. 6

