

[54] VALVE HOUSING OR SIMILAR ARTICLE  
 [75] Inventors: **Emery Major**, Larkspur; **James L. McDonald**; **Harry R. McDonald**, both of Richmond, all of Calif.  
 [73] Assignee: **Altex Scientific, Inc.**, Berkeley, Calif.  
 [\*\*] Term: **14 Years**  
 [21] Appl. No.: **553,897**  
 [22] Filed: **Feb. 27, 1975**  
 [51] Int. Cl. .... **D23-01**  
 [52] U.S. Cl. .... **D23/19**  
 [58] Field of Search ..... **D23/19-22, D23/38-40; 137/269, 271, 608**

3,788,344 1/1974 Dyck ..... 137/271  
 3,863,666 2/1975 Bonne et al. .... 137/269  
 D. 236,980 9/1975 Callahan, Jr. et al. .... D23/38  
 D. 238,273 12/1975 Hogh et al. .... D23/19

*Primary Examiner*—James R. Largen  
*Attorney, Agent, or Firm*—Theodore J. Bielen, Jr.

[57] CLAIM

The ornamental design for a valve housing or similar article, substantially as shown.

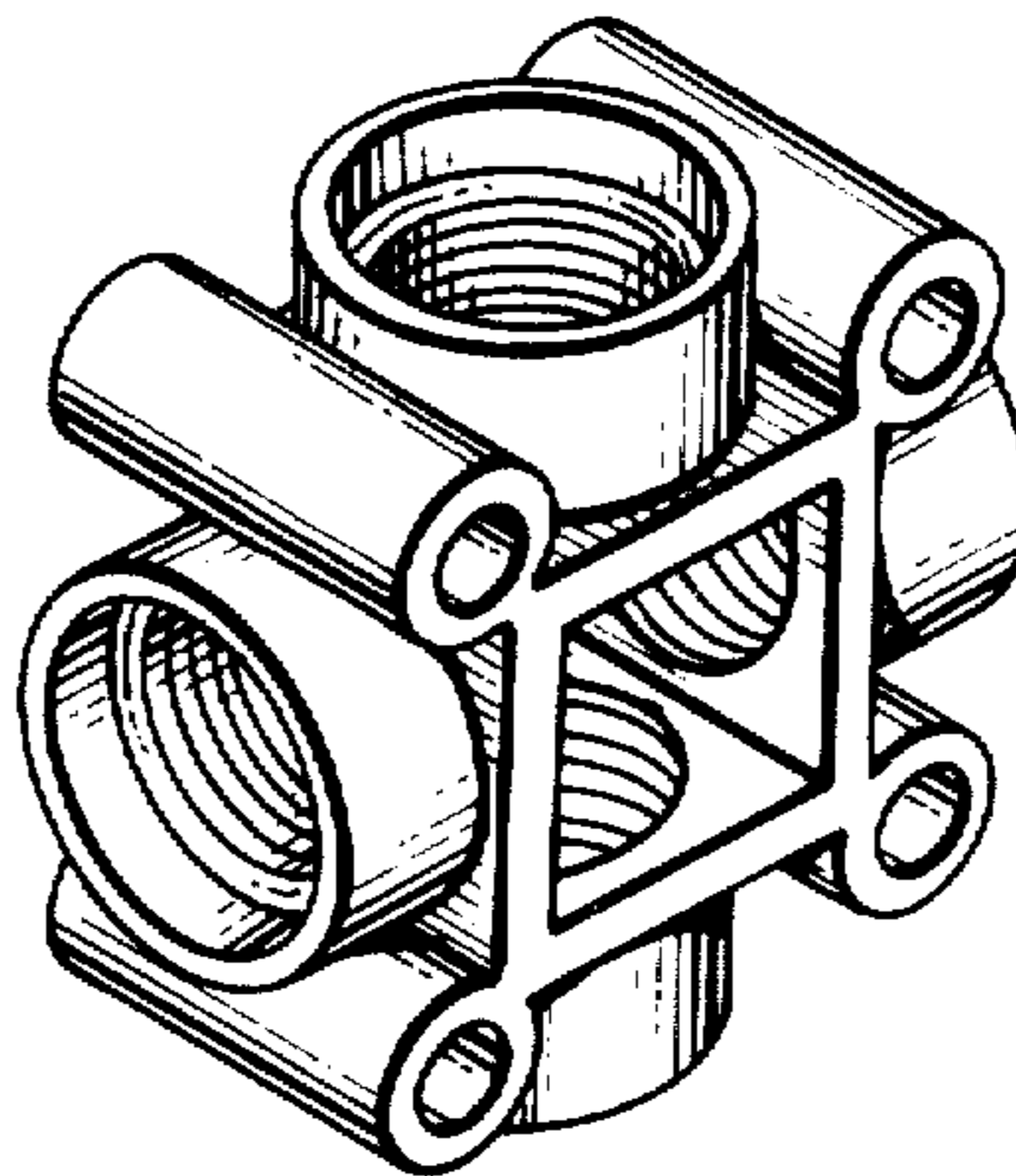
DESCRIPTION

FIG. 1 is a perspective view of a valve housing or similar article embodying our new design;  
 FIG. 2 is a top plan view thereof;  
 FIG. 3 is a front elevational view thereof;  
 FIG. 4 is a side elevational view thereof;  
 FIG. 5 is a rear elevational view thereof;  
 FIG. 6 is a bottom plan view thereof;  
 FIG. 7 is a top plan view of a modified form of the valve housing or similar article shown in FIG. 1; and  
 FIG. 8 is a side elevational view of FIG. 7.

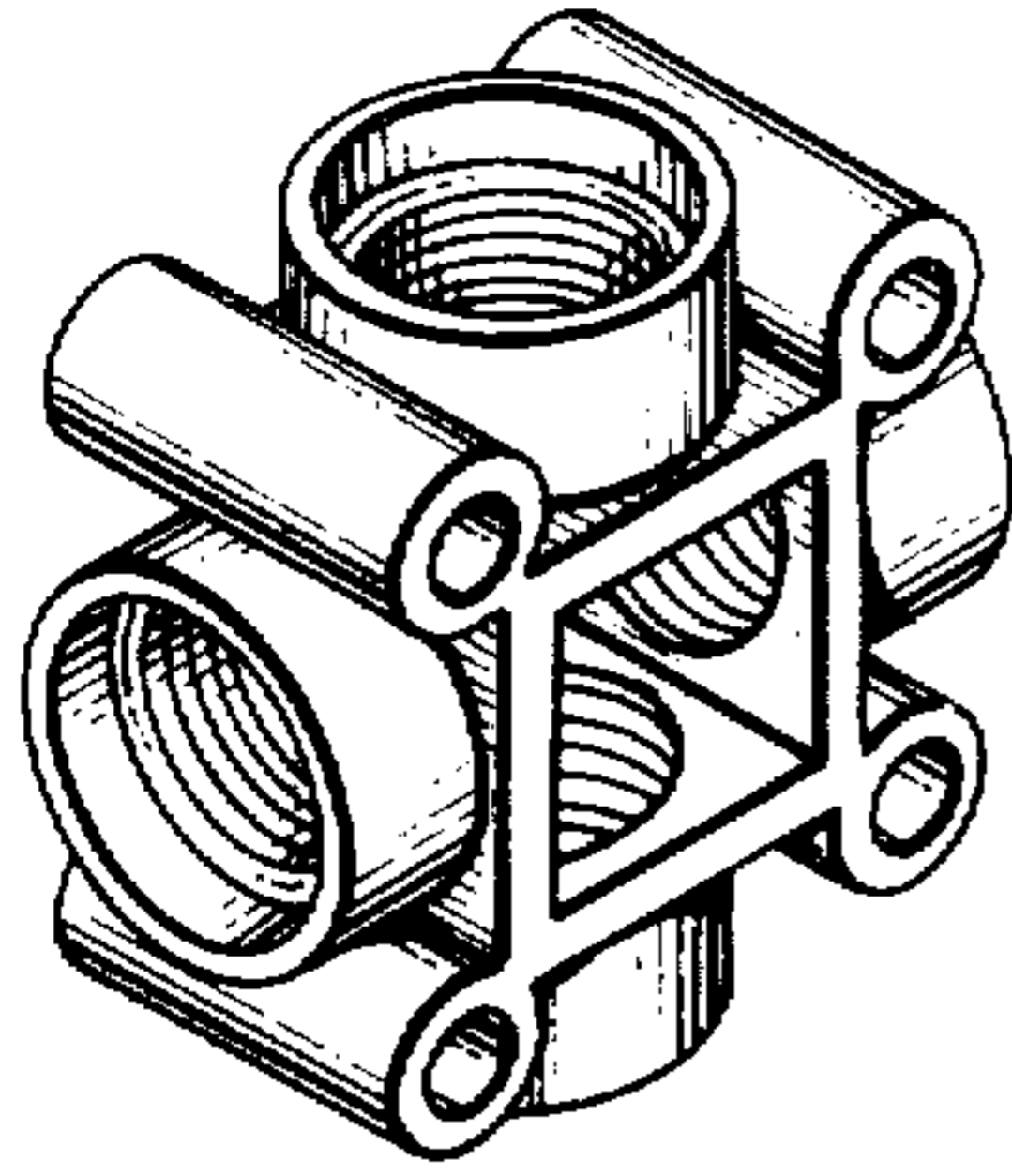
[56] References Cited

U.S. PATENT DOCUMENTS

3,394,726 7/1968 Brice ..... 137/269  
 3,538,940 11/1970 Graham ..... 137/271  
 3,739,804 6/1973 Dubrevil ..... 137/269  
 3,756,274 9/1973 Wolfgramm ..... 137/271



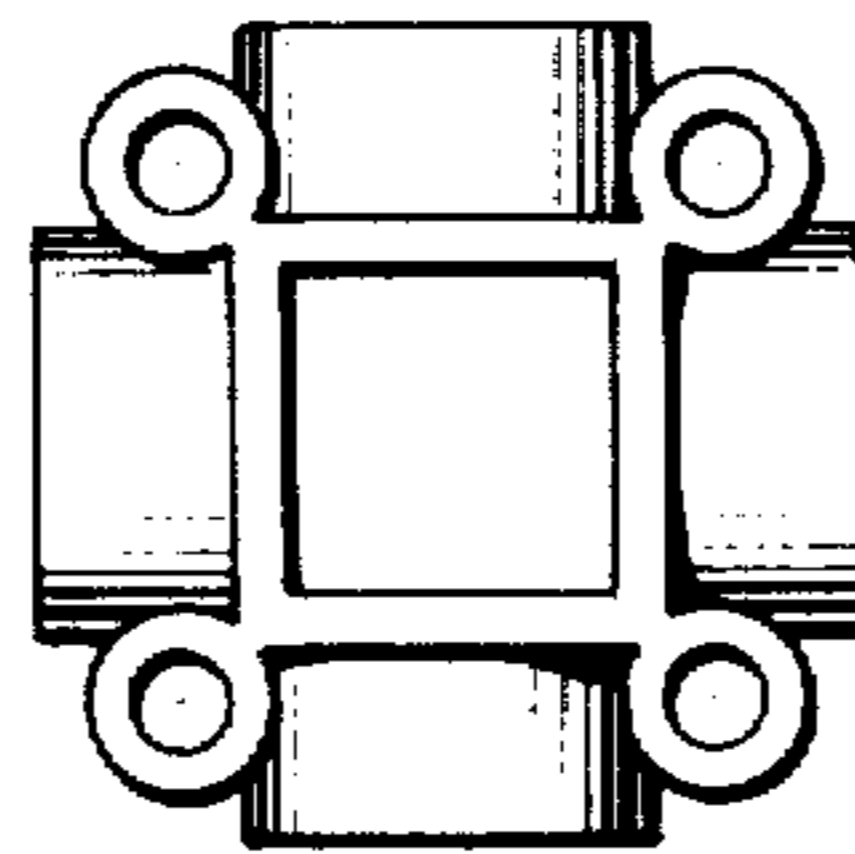
**FIG-1**



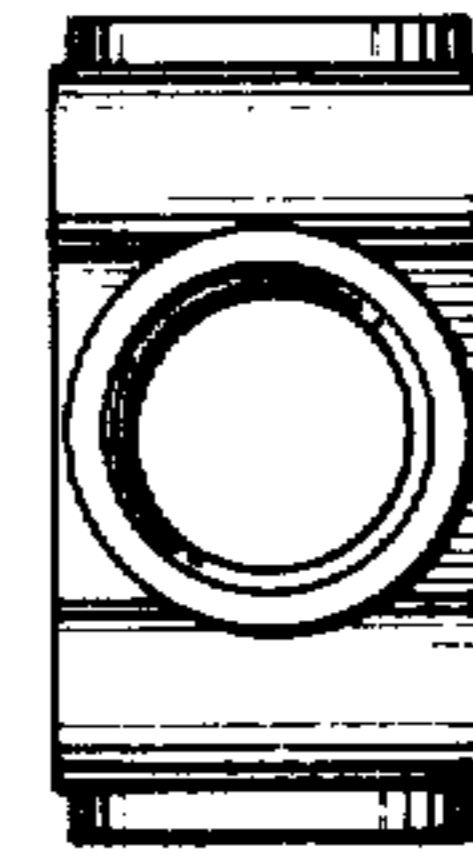
**FIG-2**



**FIG-3**



**FIG-4**

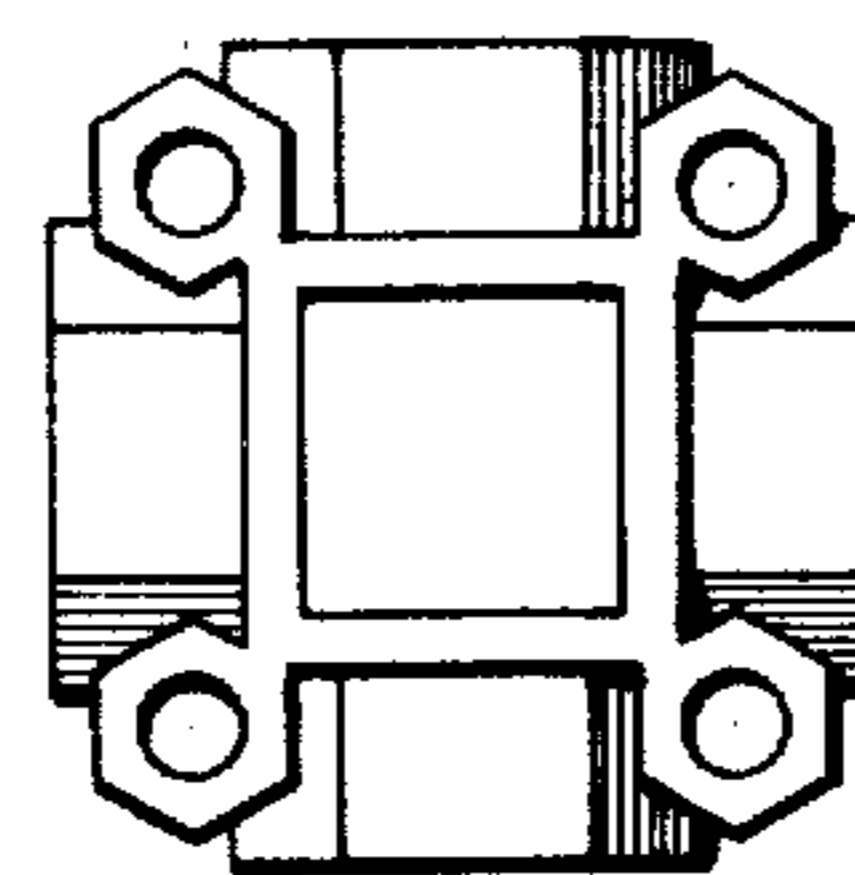
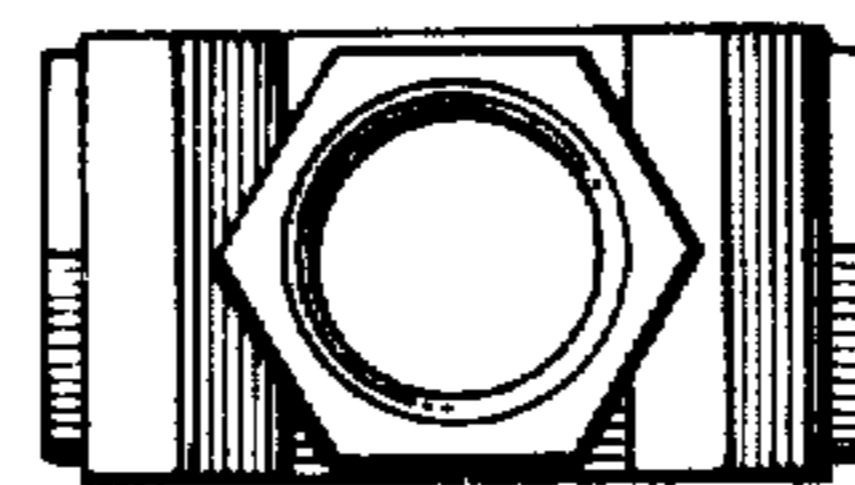


**FIG-5**



**FIG-6**

**FIG-7**



**FIG-8**