

[54] AIR BRUSH  
 [75] Inventor: Gary E. Phillips, Encino, Calif.  
 [73] Assignee: Donald E. Bass, Canoga Park, Calif.  
 [\*\*] Term: 14 Years  
 [21] Appl. No.: 655,757  
 [22] Filed: Feb. 6, 1976  
 [51] Int. Cl. .... D23-01  
 [52] U.S. Cl. .... D23/17  
 [58] Field of Search ..... D23/17, 18, 34-39;  
 239/417.58, 530

Primary Examiner—James R. Lergen  
 Attorney, Agent, or Firm—M. D. Harris

[57] CLAIM

The ornamental design for an air brush, substantially as shown and described.

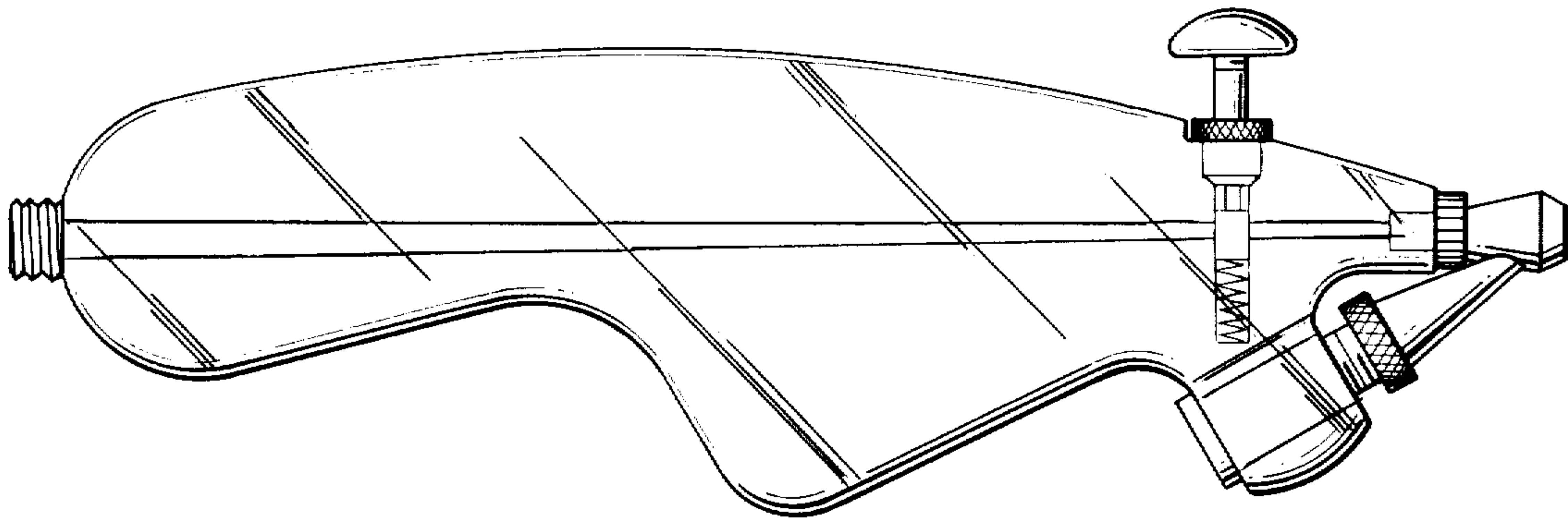
DESCRIPTION

FIG. 1 is a top plan view of an air brush showing my new design;  
 FIG. 2 is a front elevational view thereof, the rear being a mirror image of the front shown;  
 FIG. 3 is a bottom plan view thereof;  
 FIG. 4 is an elevational view taken from one end thereof; and  
 FIG. 5 is an elevational view taken from the end opposite that shown in FIG. 4.

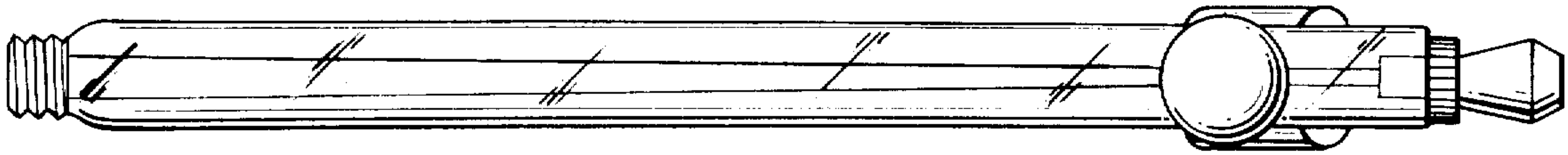
[56] References Cited

U.S. PATENT DOCUMENTS

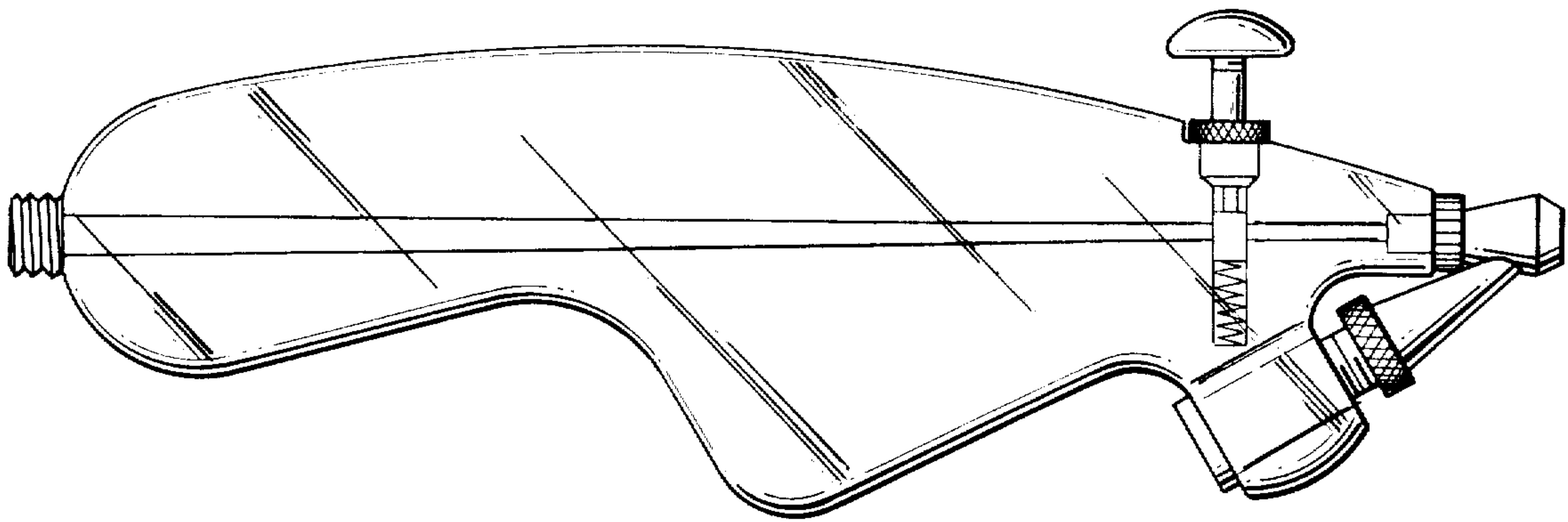
D. 156,069	11/1949	Briggs	.....	D23/18
D. 187,308	2/1960	Adams	.....	D23/18
D. 197,316	1/1964	Anderson	.....	D23/18



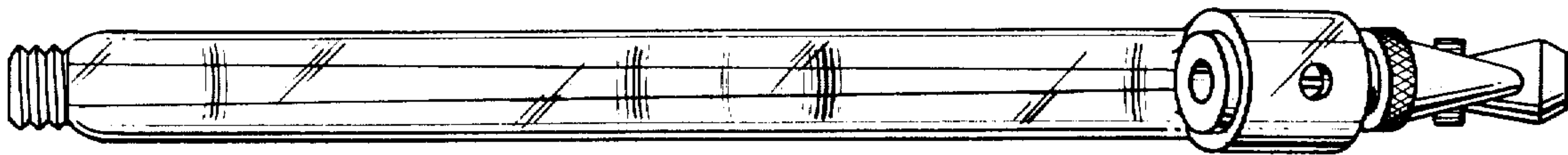
*Fig. 1.*



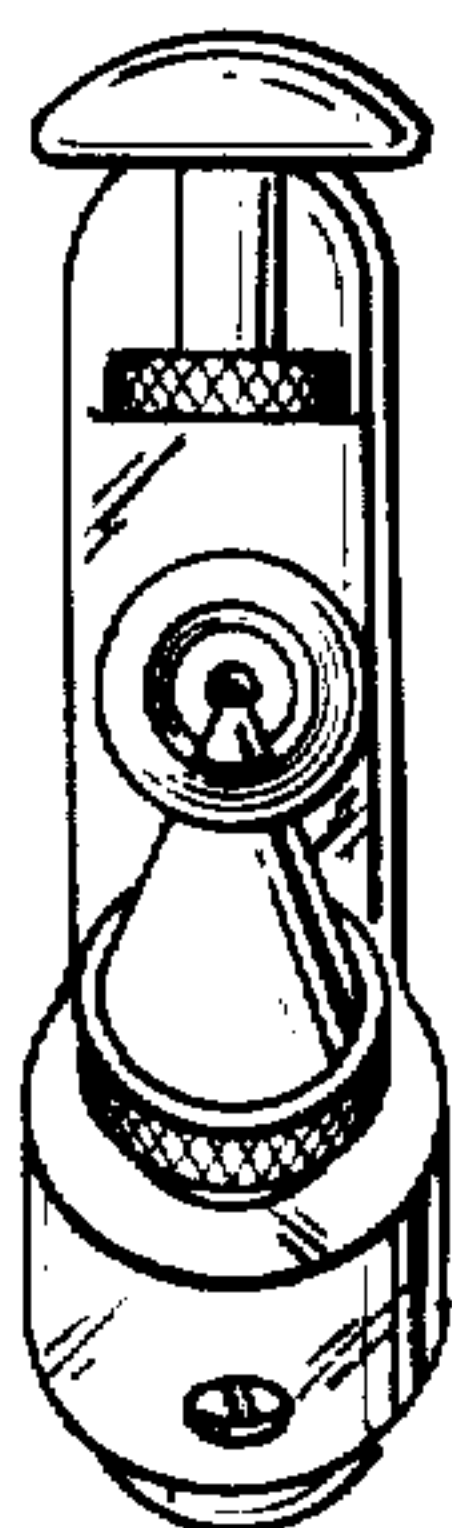
*Fig. 2.*



*Fig. 3.*



*Fig. 4.*



*Fig. 5.*

